



Chipsmall Limited consists of a professional team with an average of over 10 year of expertise in the distribution of electronic components. Based in Hongkong, we have already established firm and mutual-benefit business relationships with customers from,Europe,America and south Asia,supplying obsolete and hard-to-find components to meet their specific needs.

With the principle of “Quality Parts,Customers Priority,Honest Operation,and Considerate Service”,our business mainly focus on the distribution of electronic components. Line cards we deal with include Microchip,ALPS,ROHM,Xilinx,Pulse,ON,Everlight and Freescale. Main products comprise IC,Modules,Potentiometer,IC Socket,Relay,Connector.Our parts cover such applications as commercial,industrial, and automotives areas.

We are looking forward to setting up business relationship with you and hope to provide you with the best service and solution. Let us make a better world for our industry!



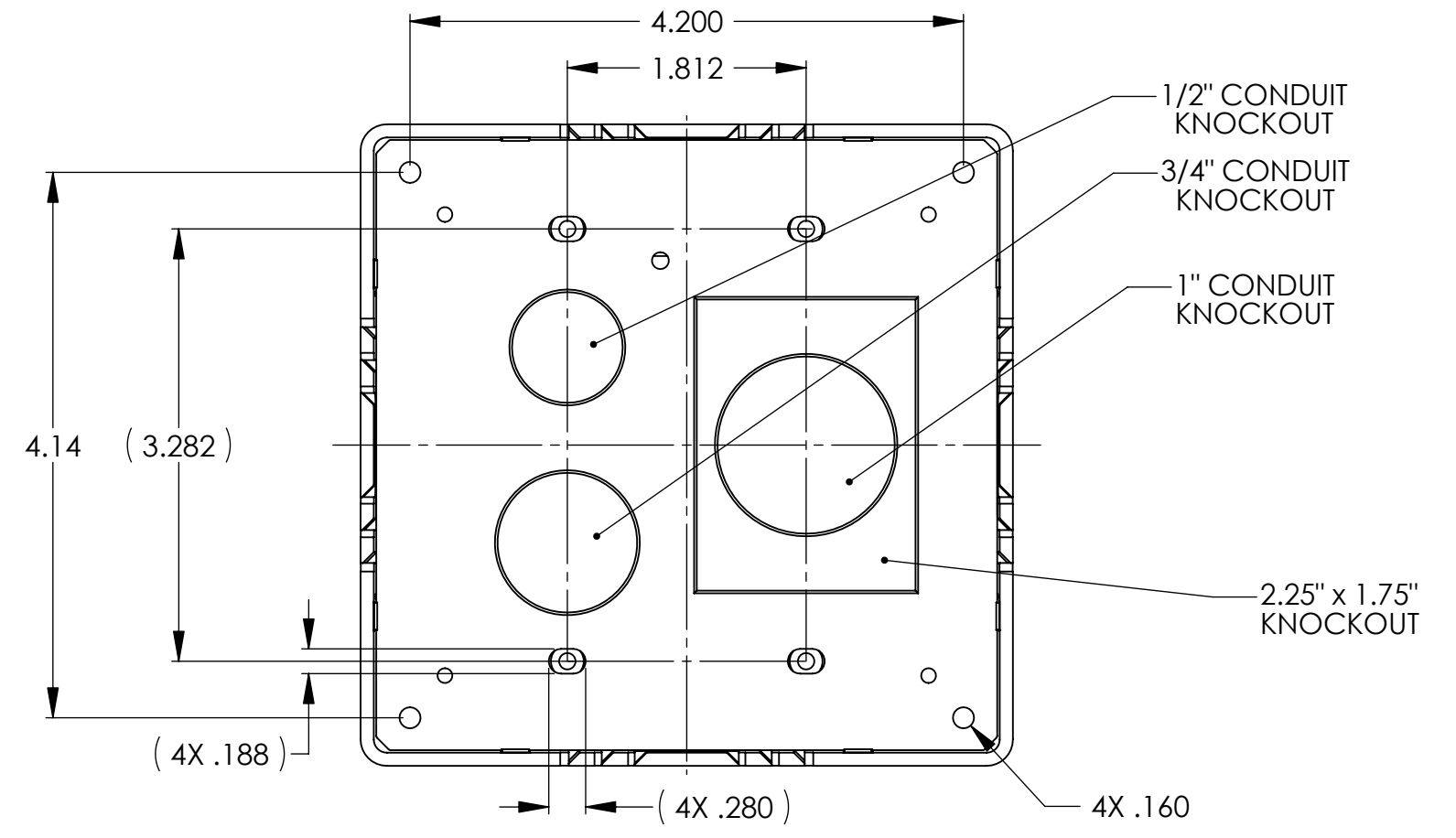
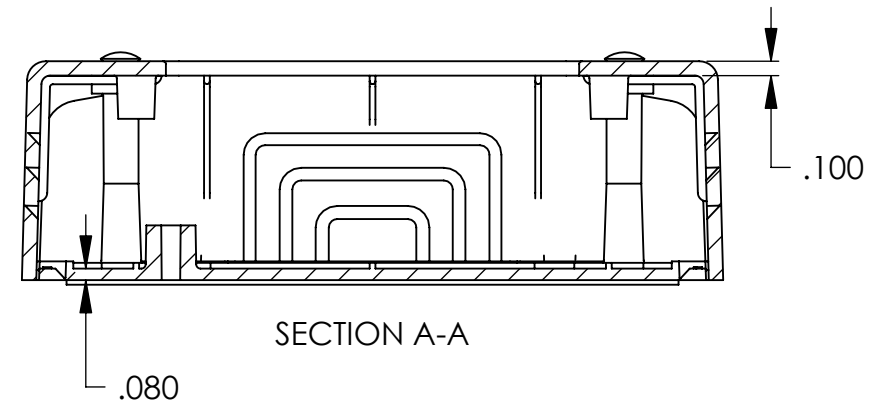
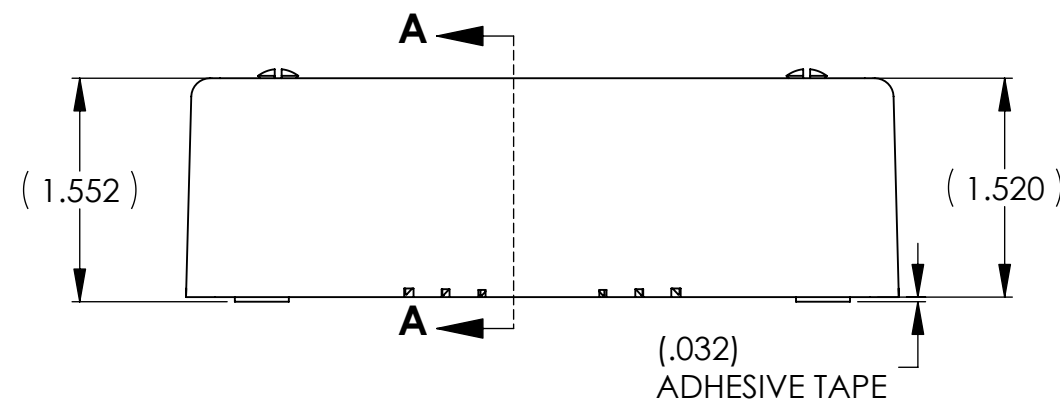
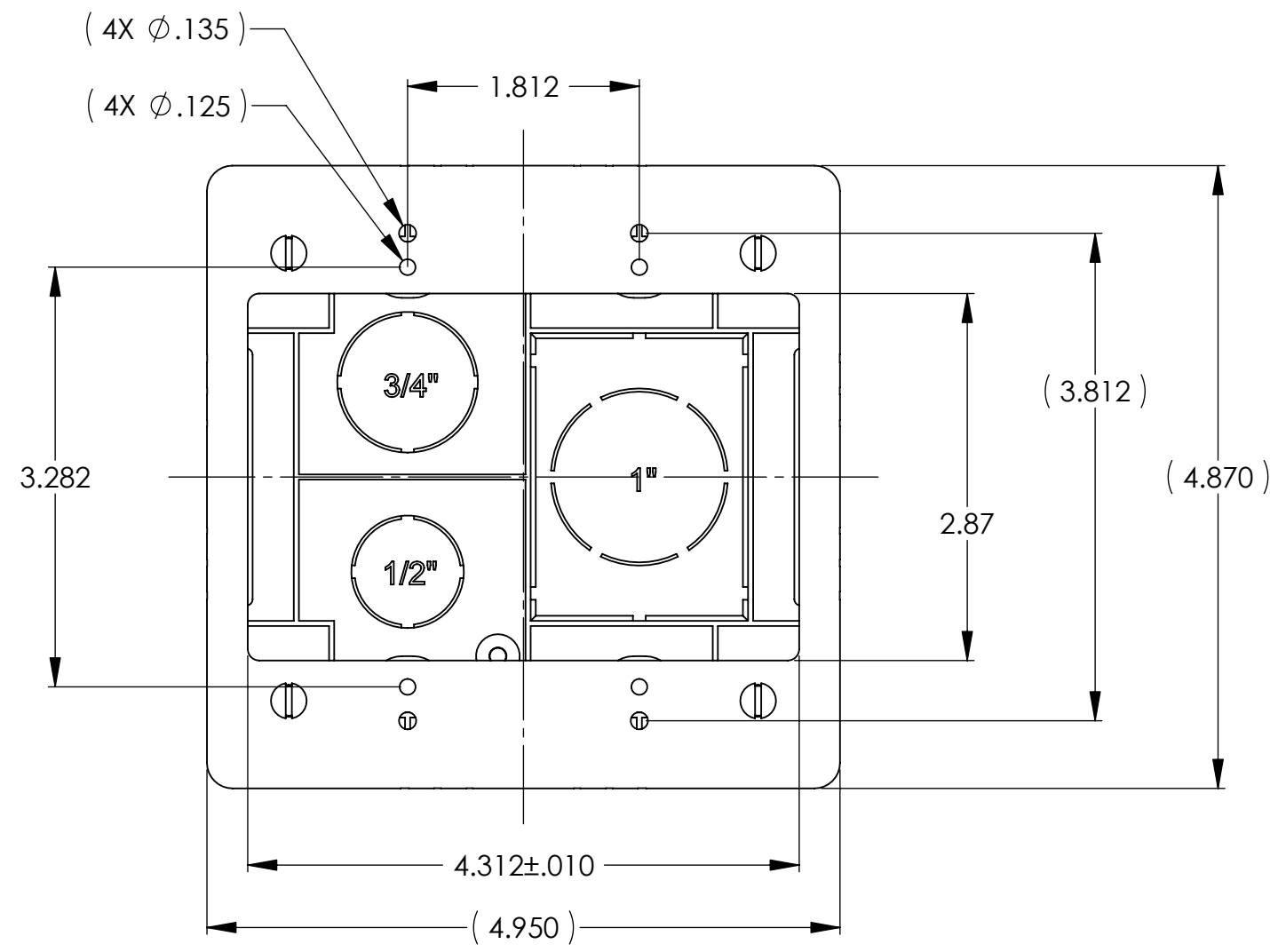
## Contact us

Tel: +86-755-8981 8866 Fax: +86-755-8427 6832

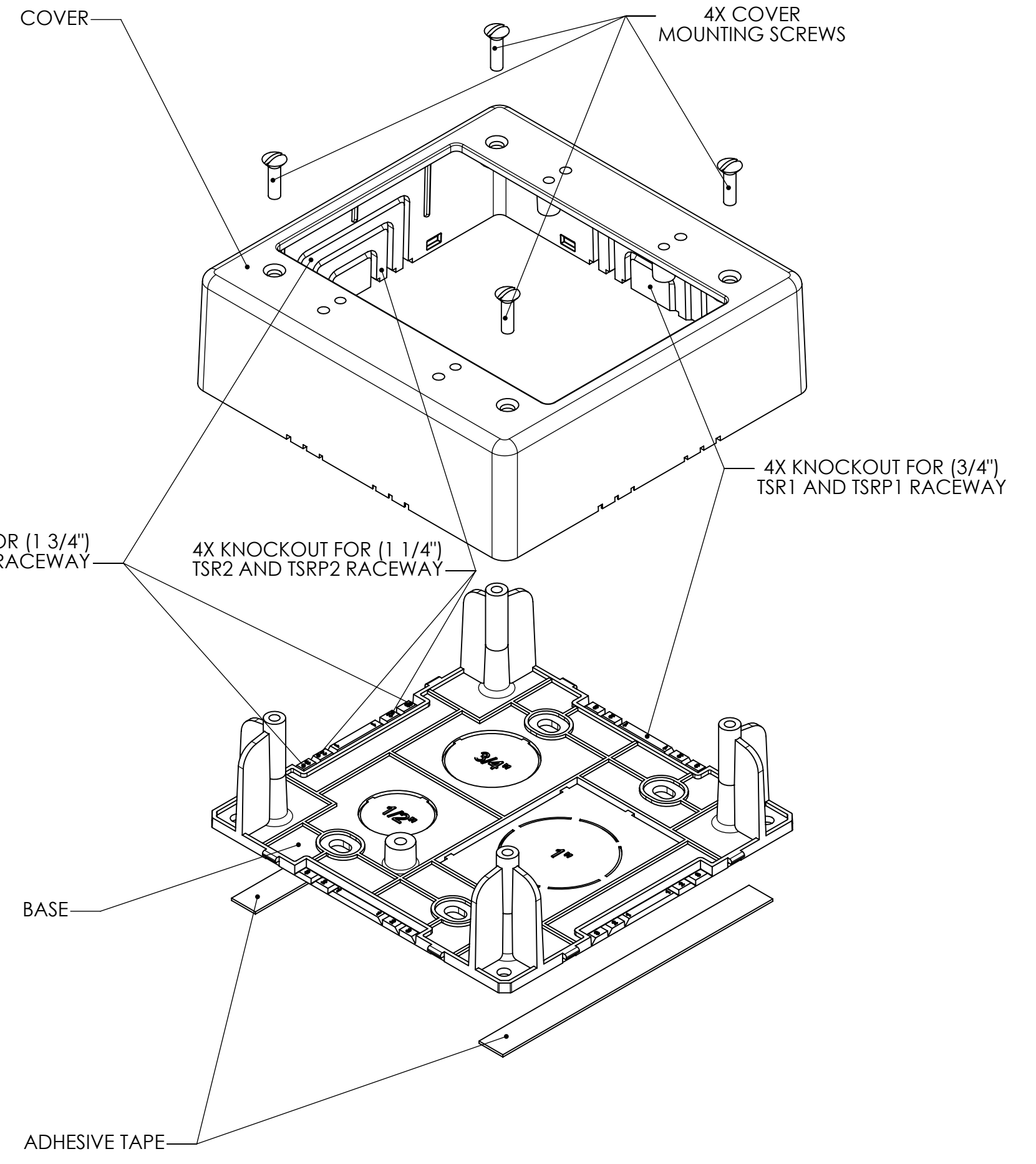
Email & Skype: info@chipsmall.com Web: www.chipsmall.com

Address: A1208, Overseas Decoration Building, #122 Zhenhua RD., Futian, Shenzhen, China





BOTTOM VIEW SHOWN WITHOUT ADHESIVE TAPE



**PART NO. DESCRIPTION**

TSR -JBD

COLOR:  
I = IVORY  
FW = OFFICE WHITE  
W = WHITE  
(FOR OTHER COLORS CONTACT FACTORY)

TSRP_-JBD	POWER-RATED SYSTEM
TSR_-JBD	LOW VOLTAGE SYSTEM
<b>PART NO.</b>	<b>DESCRIPTION</b>

REDUCED  
NO SCALE

**HellermannTyton**  
ALL PROPRIETARY RIGHTS IN THE SUBJECT MATTER SHOWN ON THIS DRAWING ARE EXCLUSIVE PROPERTY OF HELLERMANN TYTON

name	date	city, state

- NOTES**
- ADHESIVE BACKED BASE FOR EASY PLACEMENT OF BOX DURING ASSEMBLY
  - SCREWS PROVIDED FOR MOUNTING OF COVER TO BASE
  - KNOCKOUT ENTRIES FOR ALL 3 SIZES OF TSR AND TSRP RACEWAY
  - LOW PROFILE
  - PAINABLE WITH LATEX BASED PAINT
  - FACE PLATE MOUNTS TO COVER DIRECTLY FOR EASY ACCESS
  - TWO DIFFERENT SETS OF MOUNTING HOLES FOR SURFACE MOUNT OR FOR MOUNTING DIRECTLY TO A FLUSH WALL JUNCTION BOX VIA LARGE RECTANGULAR KNOCKOUT IN BASE
  - BASE IS RIBBED FOR STABILITY

**REVISIONS**

DR level	01
AW by	PLN
IN date	07/17/02
EG ECN #	003274
part level	-

**TOLERANCES**

.xxxx	= ±.0005
.xxx	= ±.005
.xx	= ±.01
.x	= ±.03
∠	= ±0.5°
unless otherwise specified	
units	inches

**PART**

number	SEE CHART	phase	PRODUCTION
name	TSR-JBD & TSRP-JBD DUAL GANG JUNCTION BOX SURFACE RACEWAY CONNECTOR		
material	PVC		

**DRAWING**

format version N	C	CAD	SW	scale	3:4
computer file number	DT3026305CST_01		previous number		
drawn	K.A.C.	checked	K.A.C.	approved	
date	04/30/02	date	07/23/02		
type	CUSTOMER		sheet	1 of 1	
number	DT3026305CST				