



Chipsmall Limited consists of a professional team with an average of over 10 year of expertise in the distribution of electronic components. Based in Hongkong, we have already established firm and mutual-benefit business relationships with customers from,Europe,America and south Asia,supplying obsolete and hard-to-find components to meet their specific needs.

With the principle of “Quality Parts,Customers Priority,Honest Operation,and Considerate Service”,our business mainly focus on the distribution of electronic components. Line cards we deal with include Microchip,ALPS,ROHM,Xilinx,Pulse,ON,Everlight and Freescale. Main products comprise IC,Modules,Potentiometer,IC Socket,Relay,Connector.Our parts cover such applications as commercial,industrial, and automotives areas.

We are looking forward to setting up business relationship with you and hope to provide you with the best service and solution. Let us make a better world for our industry!



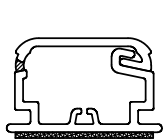
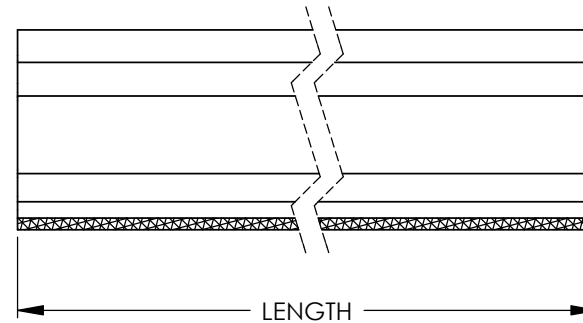
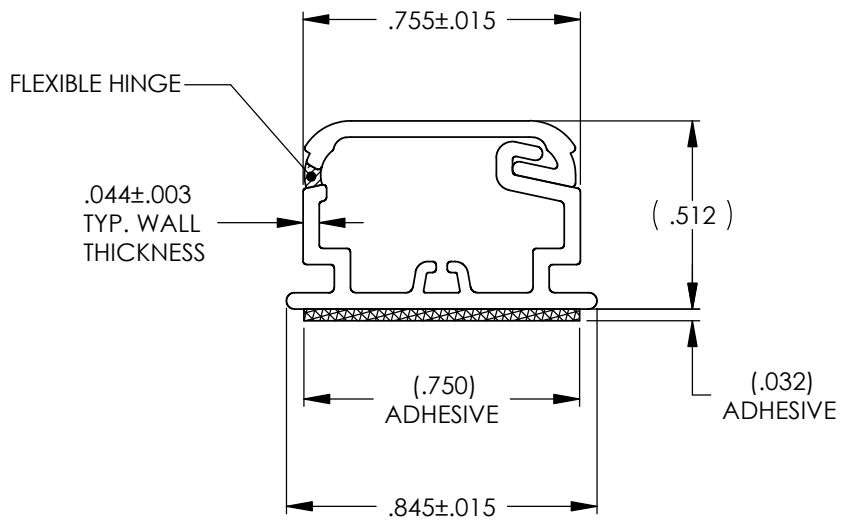
Contact us

Tel: +86-755-8981 8866 Fax: +86-755-8427 6832

Email & Skype: info@chipsmall.com Web: www.chipsmall.com

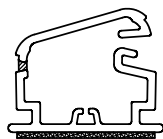
Address: A1208, Overseas Decoration Building, #122 Zhenhua RD., Futian, Shenzhen, China





CLOSED

FULL SIZE



AS EXTRUDED

PART NO. DESCRIPTION

TSRP1__-6A

COLOR:
I = IVORY
FW = OFFICE WHITE
W = WHITE
(FOR OTHER COLORS
CONTACT FACTORY)

TSRP1__-8A	96.000 +/- .125
TSRP1__-6A	72.000 +/- .125
TSRP1__-30A	30.000 +/- .125
PART NO.	LENGTH

INVENTORS

HellermannTyton[®]

ALL PROPRIETARY RIGHTS IN THE SUBJECT MATTER SHOWN ON THIS DRAWING ARE EXCLUSIVE PROPERTY OF HELLERMANNTYTON

name	date	city, state

REVISION

D level	03
by	AAC
date	06/19/2006
ECN #	010448
part level	-

DIMENSIONS

TOLERANCES	.XXXX = ±.0005
	.XXX = ±.005
	.XX = ±.01
	.X = ±.03
	∠ = ±0.5°
	unless otherwise specified
units	inches

PART

number	SEE CHART	phase	Production
name	TSRP1 3/4" SURFACE RACEWAY		
material	PVC		

DRAWING

format	AH	CAD	SW 2006	scale	2:1
computer file name	DT3034030CST_03		previous drawing number		
drawn	P NIEDFELDT	checked	KAC	approved	
	07/22/2002		06/19/2006		
type	Customer	sheet 1 of 1			
number	DT3034030CST				