



Chipsmall Limited consists of a professional team with an average of over 10 year of expertise in the distribution of electronic components. Based in Hongkong, we have already established firm and mutual-benefit business relationships with customers from,Europe,America and south Asia,supplying obsolete and hard-to-find components to meet their specific needs.

With the principle of “Quality Parts,Customers Priority,Honest Operation,and Considerate Service”,our business mainly focus on the distribution of electronic components. Line cards we deal with include Microchip,ALPS,ROHM,Xilinx,Pulse,ON,Everlight and Freescale. Main products comprise IC,Modules,Potentiometer,IC Socket,Relay,Connector.Our parts cover such applications as commercial,industrial, and automotives areas.

We are looking forward to setting up business relationship with you and hope to provide you with the best service and solution. Let us make a better world for our industry!



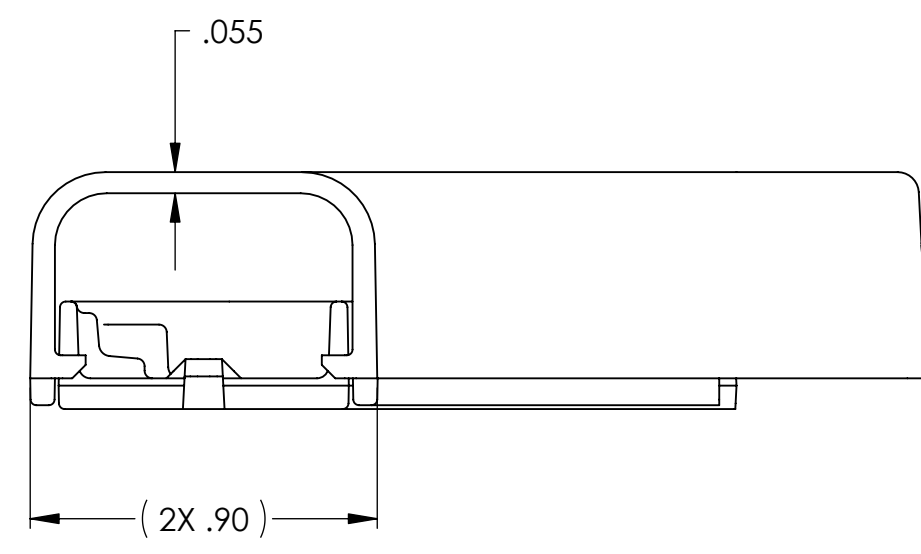
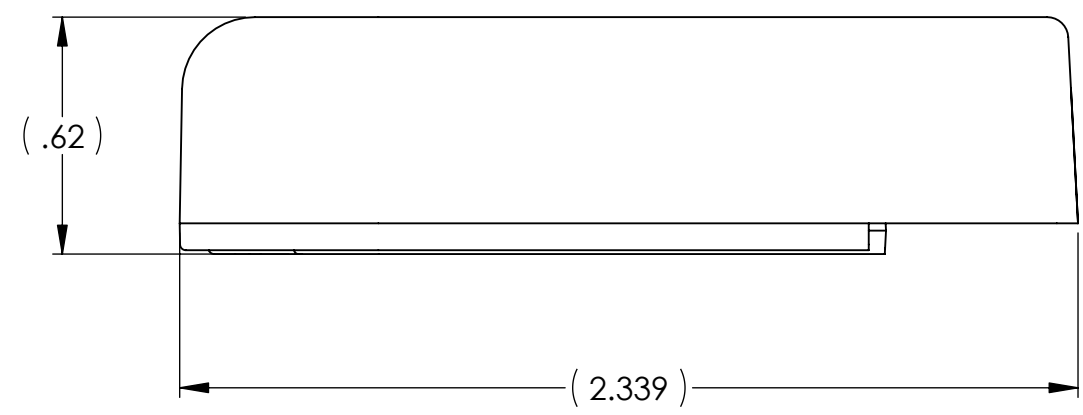
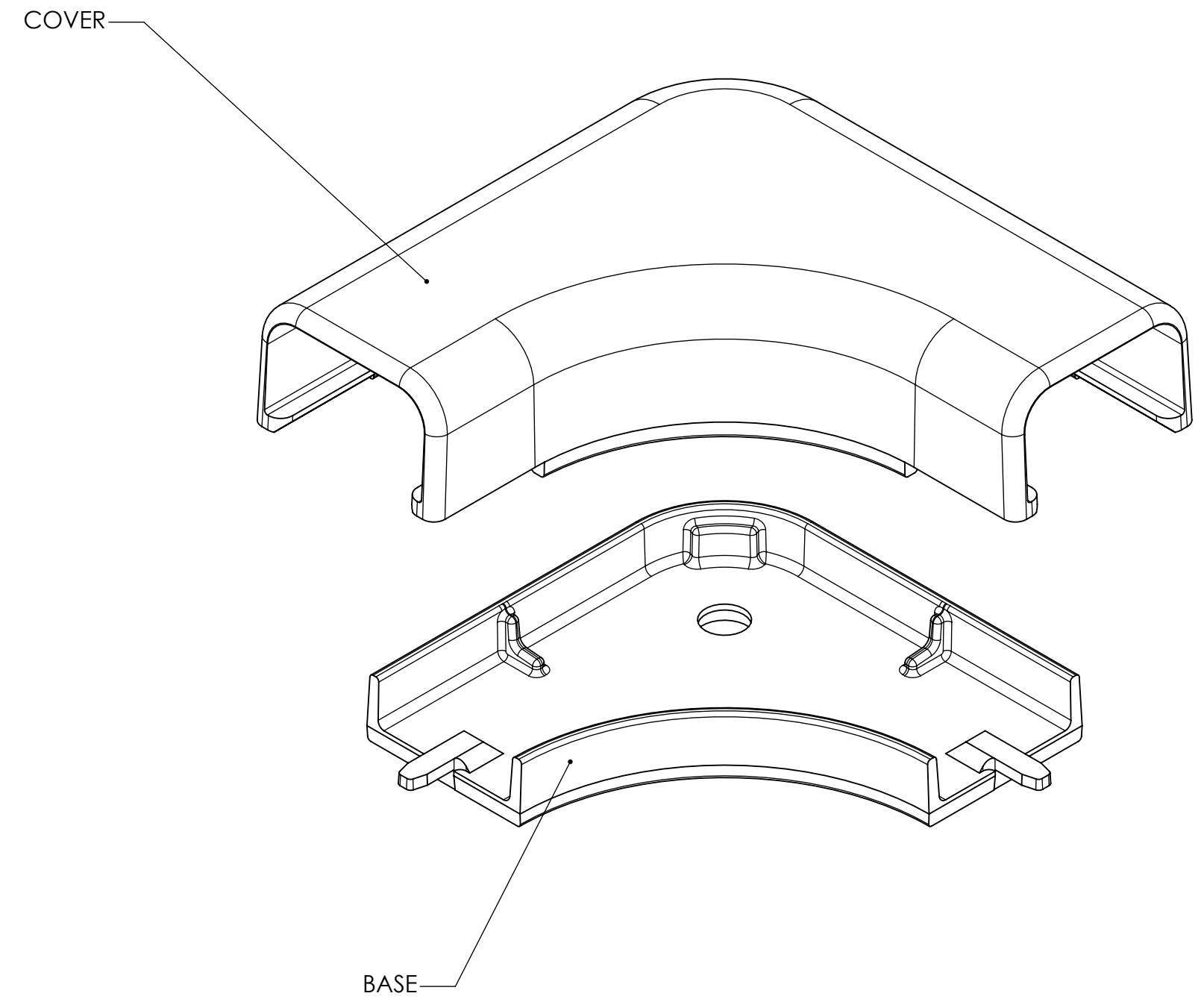
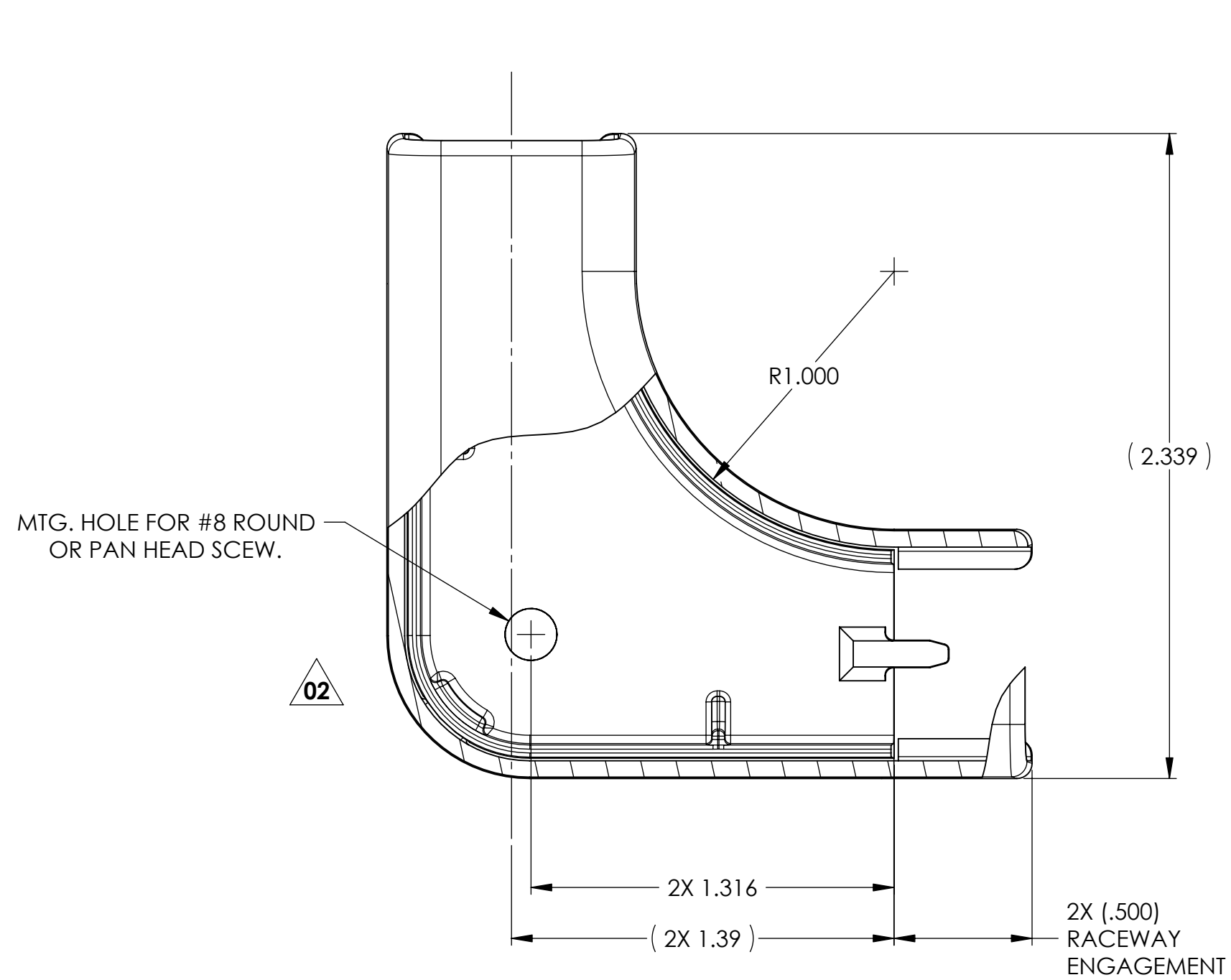
## Contact us

Tel: +86-755-8981 8866 Fax: +86-755-8427 6832

Email & Skype: info@chipsmall.com Web: www.chipsmall.com

Address: A1208, Overseas Decoration Building, #122 Zhenhua RD., Futian, Shenzhen, China





PART NO. DESCRIPTION  
 TSRP1\_-25-1  
 COLOR:  
 I = IVORY  
 FW = OFFICE WHITE  
 W = WHITE  
 (FOR OTHER COLORS  
 CONTACT FACTORY)

REDUCED  
 NO SCALE

**HellermannTyton®**  
 ALL PROPRIETARY RIGHTS IN THE SUBJECT MATTER SHOWN ON THIS DRAWING ARE EXCLUSIVE PROPERTY OF HELLERMANN TYTON

name	date	city, state

**NOTES**  
 1. THIS ASSEMBLY ACCEPTS (2) TSRP1 RACEWAYS.

**REVISIONS**

DR level	02
AW by	PLN
IN date	01/08/03
ENG ECN #	003572
part level	-

**TOLERANCES**  
 .xxxx = ± .0005  
 .xxx = ± .005  
 .xx = ± .01  
 .x = ± .03  
 < = ±0.5°  
 unless otherwise specified  
 units inches

**PART**

number	TSRP1_-25-1	phase	PRODUCTION
name TSRP1-25-1 600V 3/4" ELBOW WITH 1" MIN BEND RADIUS			
material	PVC		

**DRAWING**

format version	N C	CAD	SW	scale	2:1
computer file number	DT3034014CST_02		previous number		
drawn	R.P.B.	checked	KAC	approved	
date	4/12/99		03/04/03		
type	CUSTOMER			sheet	1 of 1
number	DT3034014CST				