



Chipsmall Limited consists of a professional team with an average of over 10 year of expertise in the distribution of electronic components. Based in Hongkong, we have already established firm and mutual-benefit business relationships with customers from,Europe,America and south Asia,supplying obsolete and hard-to-find components to meet their specific needs.

With the principle of “Quality Parts,Customers Priority,Honest Operation,and Considerate Service”,our business mainly focus on the distribution of electronic components. Line cards we deal with include Microchip,ALPS,ROHM,Xilinx,Pulse,ON,Everlight and Freescale. Main products comprise IC,Modules,Potentiometer,IC Socket,Relay,Connector.Our parts cover such applications as commercial,industrial, and automotives areas.

We are looking forward to setting up business relationship with you and hope to provide you with the best service and solution. Let us make a better world for our industry!



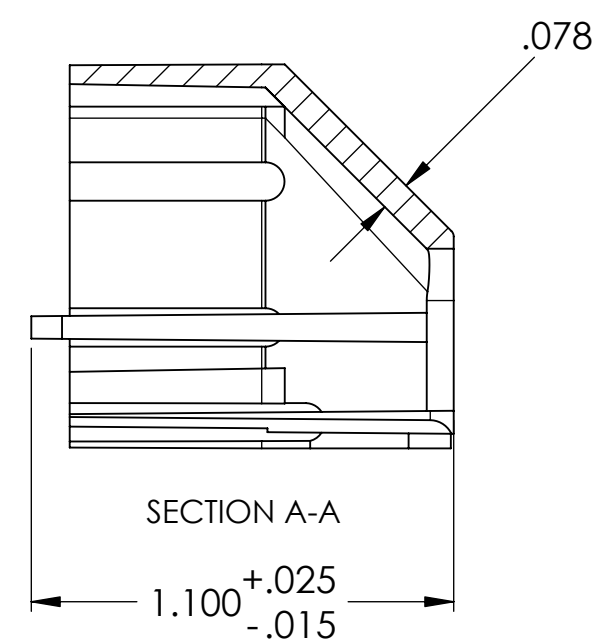
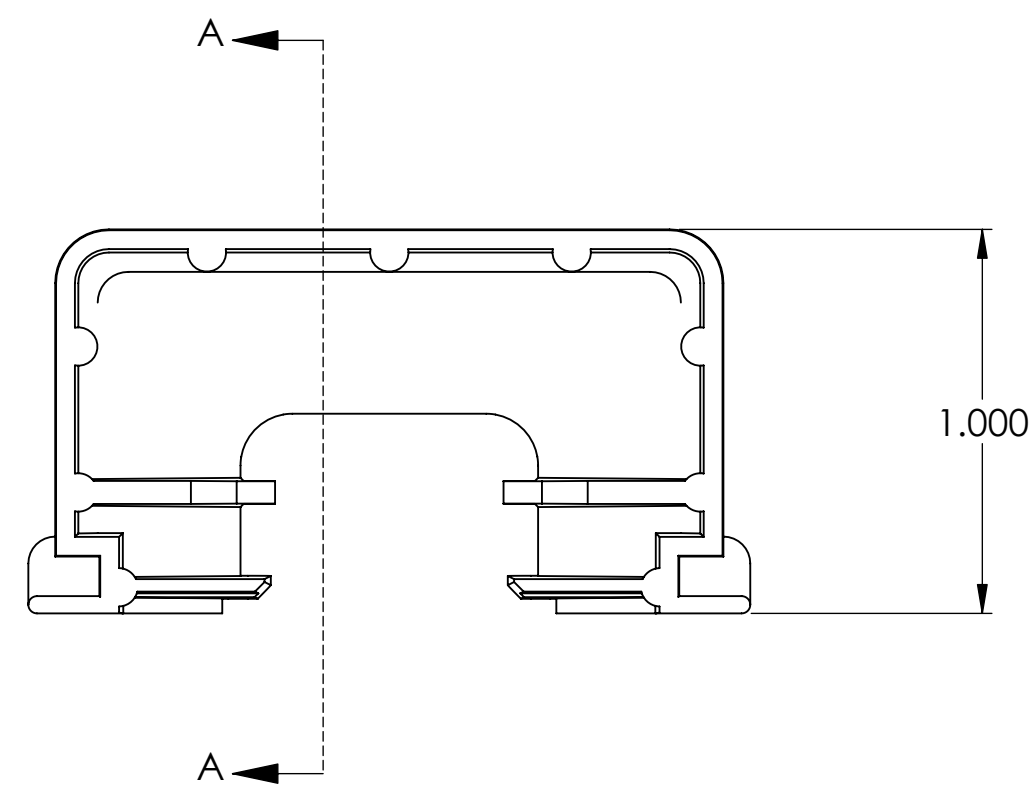
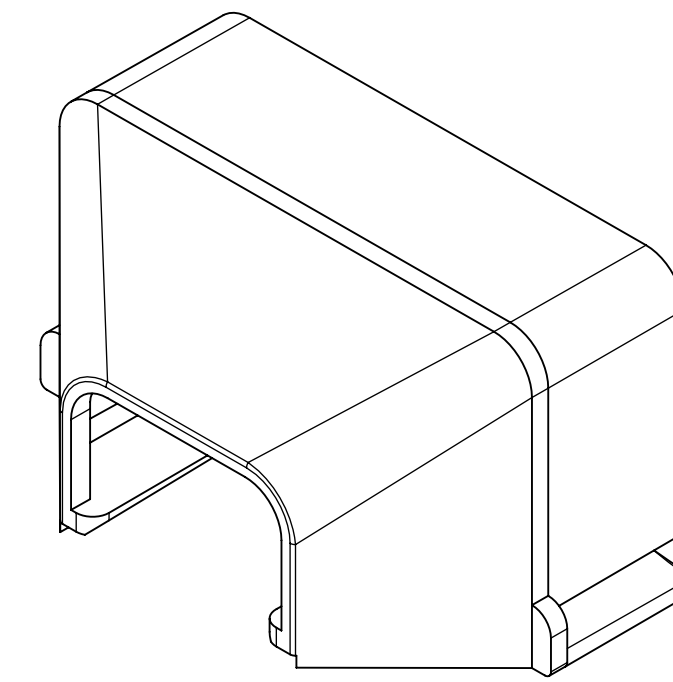
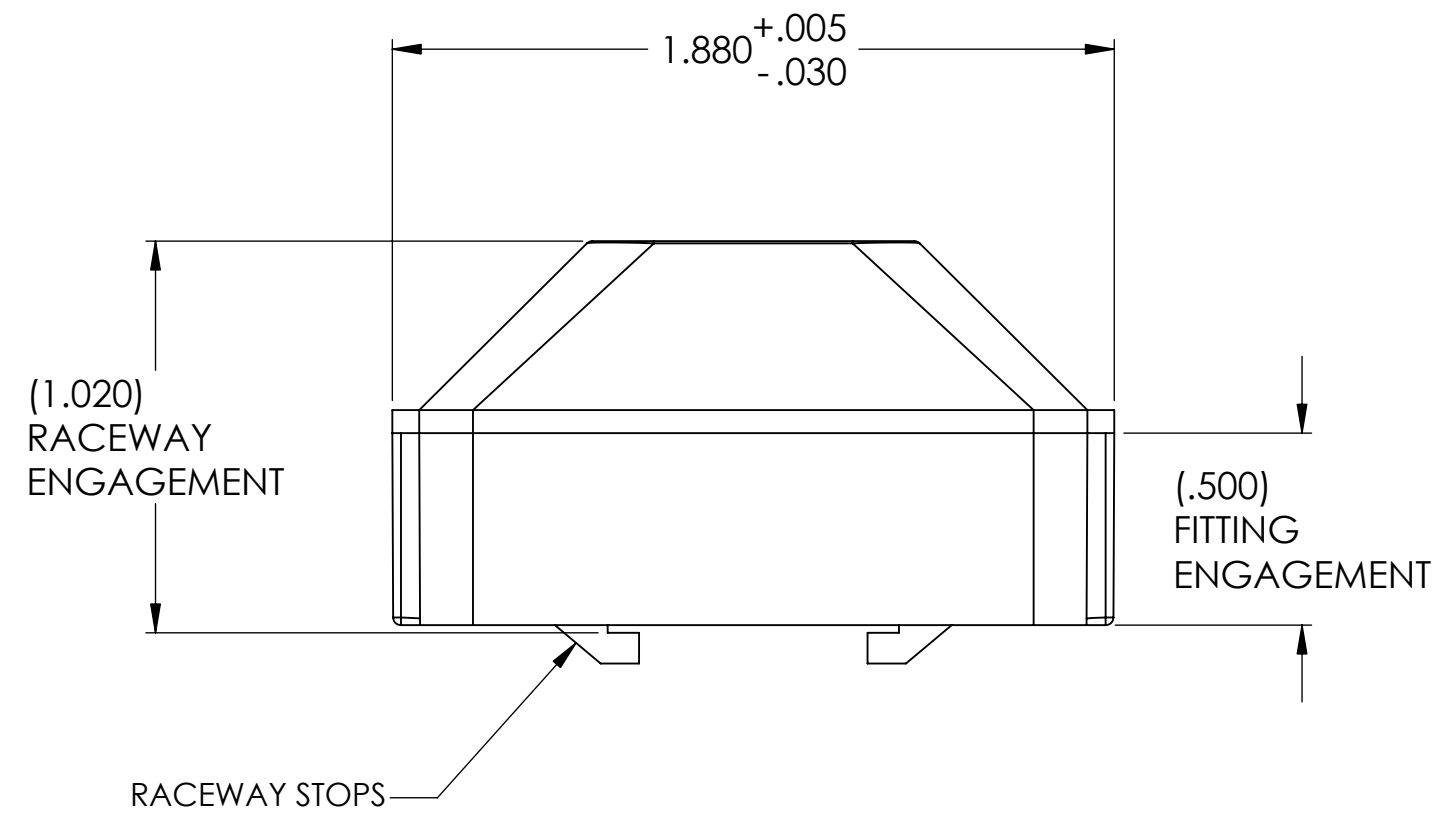
Contact us

Tel: +86-755-8981 8866 Fax: +86-755-8427 6832

Email & Skype: info@chipsmall.com Web: www.chipsmall.com

Address: A1208, Overseas Decoration Building, #122 Zhenhua RD., Futian, Shenzhen, China





PART NO.	DESCRIPTION
TSR2_-12	POWER RATED SYSTEM
TSR2_-12	LOW-VOLTAGE SYSTEM
PART NO.	DESCRIPTION

COLOR:
 I = IVORY
 FW = OFFICE WHITE
 W = WHITE
 (FOR OTHER COLORS
 CONTACT FACTORY)

REDUCED
 NO SCALE

HellermannTyton®
 ALL PROPRIETARY RIGHTS IN THE SUBJECT MATTER SHOWN ON THIS DRAWING ARE EXCLUSIVE PROPERTY OF HELLERMANN TYTON

name	date	city, state

NOTES
 1. THIS PART MATES WITH (1) TSR3 OR (1) TSRP3 FITTING AND (1) TSR1 OR (1) TSRP1 RACEWAY.

REVISIONS	DR level	02
	AW by	PLN
	IN date	01/16/03
	ECN #	003577
	part level	B

TOLERANCES DIMENSIONS	.xxxx = ± .0005
	.xxx = ± .005
	.xx = ± .01
	.x = ± .03
	< = ± 0.5°
unless otherwise specified	
units	inches

PART	number	SEE CHART	phase	PRODUCTION
	name	TSR2-12 & TSRP2-12 1 3/4" TO 3/4" REDUCER		
	material	PVC		

DRAWING	format	C	CAD	SW	scale	2:1
	computer file number	DT3026126CST_02	previous number	DT\CST\3026126C		
	drawn	MN/CE	checked	KAC	approved	
	date	08/19/96		04/01/03		
	type	CUSTOMER			sheet	1 of 1
number	DT3026126CST					