



Chipsmall Limited consists of a professional team with an average of over 10 year of expertise in the distribution of electronic components. Based in Hongkong, we have already established firm and mutual-benefit business relationships with customers from,Europe,America and south Asia,supplying obsolete and hard-to-find components to meet their specific needs.

With the principle of “Quality Parts,Customers Priority,Honest Operation,and Considerate Service”,our business mainly focus on the distribution of electronic components. Line cards we deal with include Microchip,ALPS,ROHM,Xilinx,Pulse,ON,Everlight and Freescale. Main products comprise IC,Modules,Potentiometer,IC Socket,Relay,Connector.Our parts cover such applications as commercial,industrial, and automotives areas.

We are looking forward to setting up business relationship with you and hope to provide you with the best service and solution. Let us make a better world for our industry!



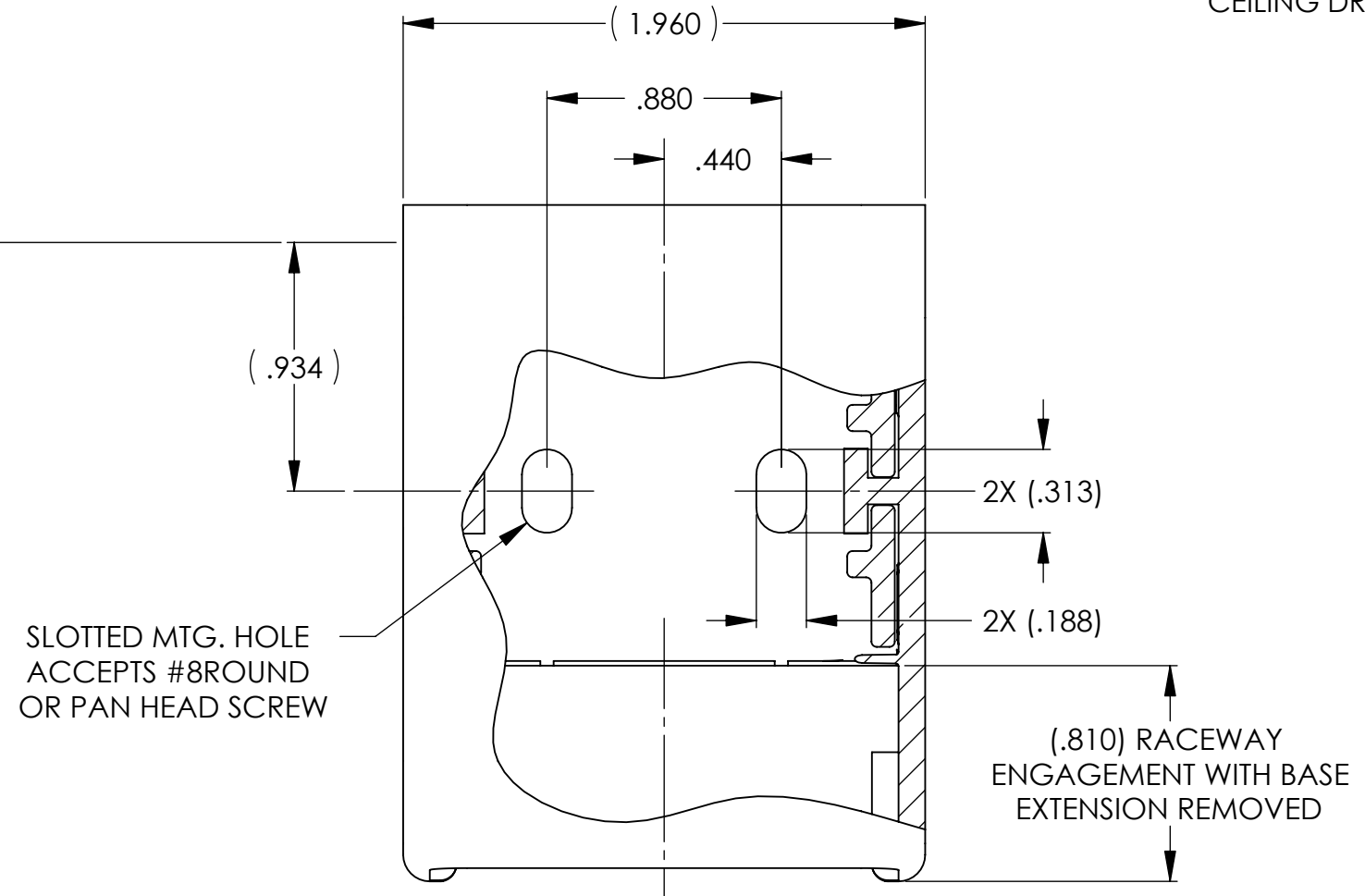
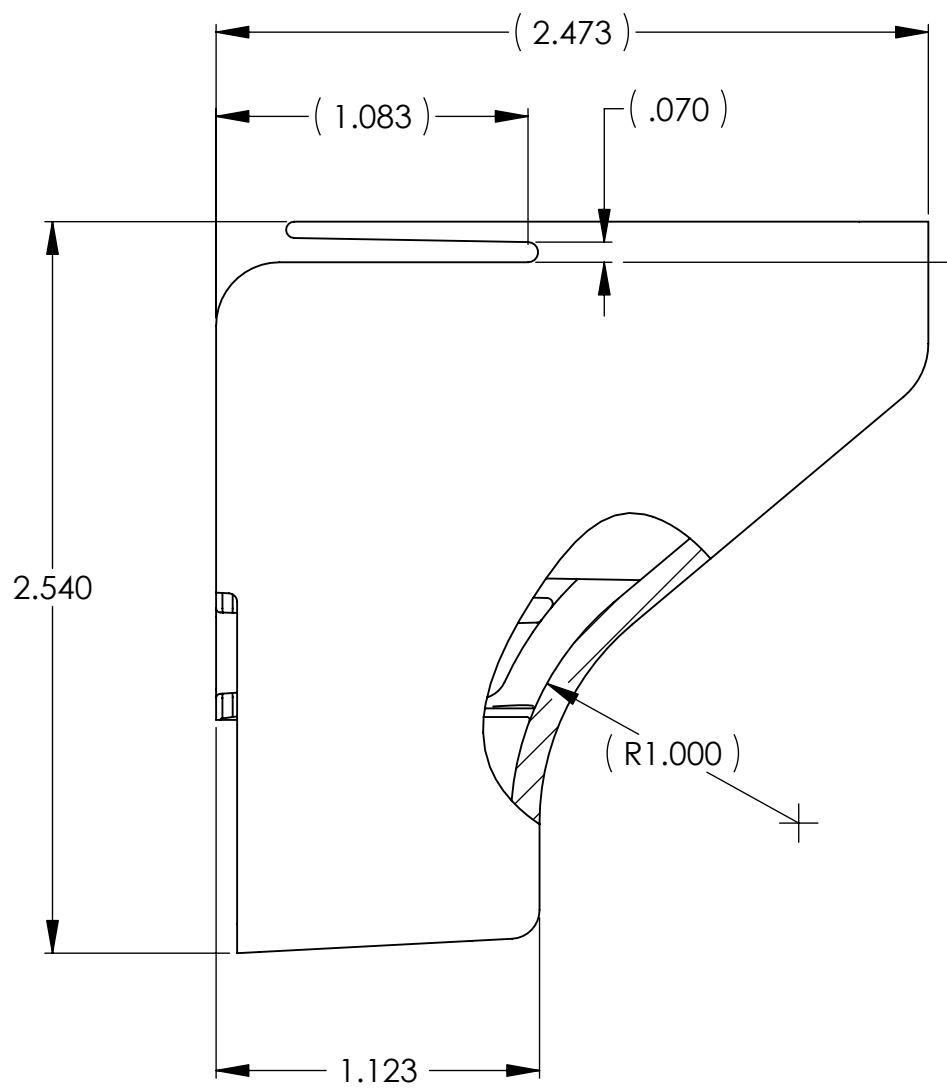
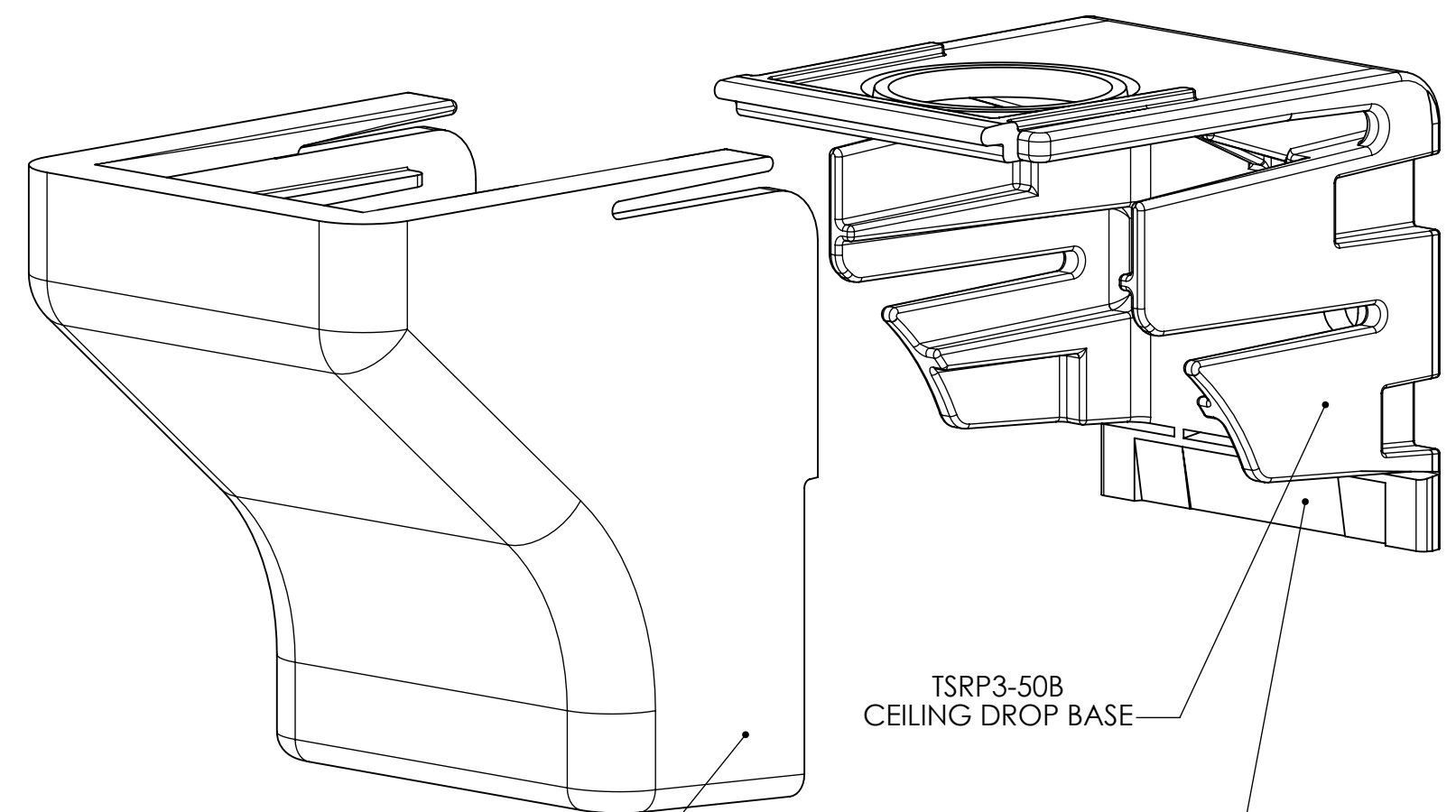
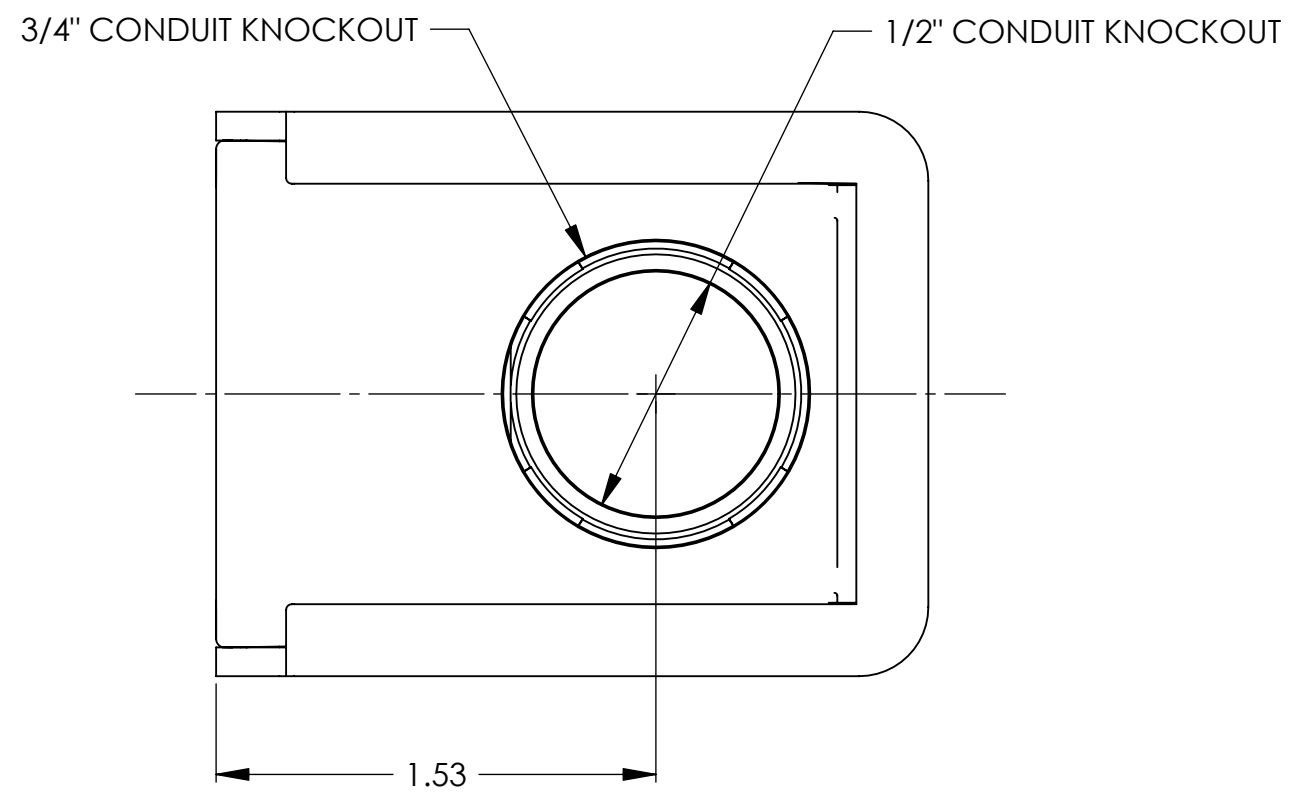
## Contact us

Tel: +86-755-8981 8866 Fax: +86-755-8427 6832

Email & Skype: info@chipsmall.com Web: www.chipsmall.com

Address: A1208, Overseas Decoration Building, #122 Zhenhua RD., Futian, Shenzhen, China





**PART NO. DESCRIPTION**

TSRP3\_\_-50  
 COLOR:  
 I = IVORY  
 FW = OFFICE WHITE  
 W = WHITE  
 (FOR OTHER COLORS CONTACT FACTORY)

**HellermannTyton®**  
 ALL PROPRIETARY RIGHTS IN THE SUBJECT MATTER SHOWN ON THIS DRAWING ARE EXCLUSIVE PROPERTY OF HELLERMANNTYTON

name	date	city, state

**NOTES**  
 1. THIS ASSEMBLY ACCEPTS (1) TSRP3 RACEWAY.

**REVISION**

level	02
by	PLN
date	01/14/2003
ECN #	003575
part level	-

**TOLERANCES**

.XXXX	= ±.0005
.XXX	= ±.005
.XX	= ±.01
.X	= ±.03
∠	= ±0.5°
unless otherwise specified	
units	inches

**PART**

number	TSRP3__-50	phase	Production
name	TSRP3-50 600 VOLT 1 3/4" CEILING DROP		
material	PVC		

**DRAWING**

format	C	CAD	SW 2007	scale	3:2
computer file name	DT3034022CST_02		previous drawing number		
drawn	RPB	checked	KAC	approved	
date	04/15/1999	checked	03/21/2003	approved	
type	Customer	sheet 1 of 1			
number	<b>DT3034022CST</b>				