



Chipsmall Limited consists of a professional team with an average of over 10 year of expertise in the distribution of electronic components. Based in Hongkong, we have already established firm and mutual-benefit business relationships with customers from,Europe,America and south Asia,supplying obsolete and hard-to-find components to meet their specific needs.

With the principle of "Quality Parts,Customers Priority,Honest Operation,and Considerate Service",our business mainly focus on the distribution of electronic components. Line cards we deal with include Microchip,ALPS,ROHM,Xilinx,Pulse,ON,Everlight and Freescale. Main products comprise IC,Modules,Potentiometer,IC Socket,Relay,Connector.Our parts cover such applications as commercial,industrial, and automotives areas.

We are looking forward to setting up business relationship with you and hope to provide you with the best service and solution. Let us make a better world for our industry!



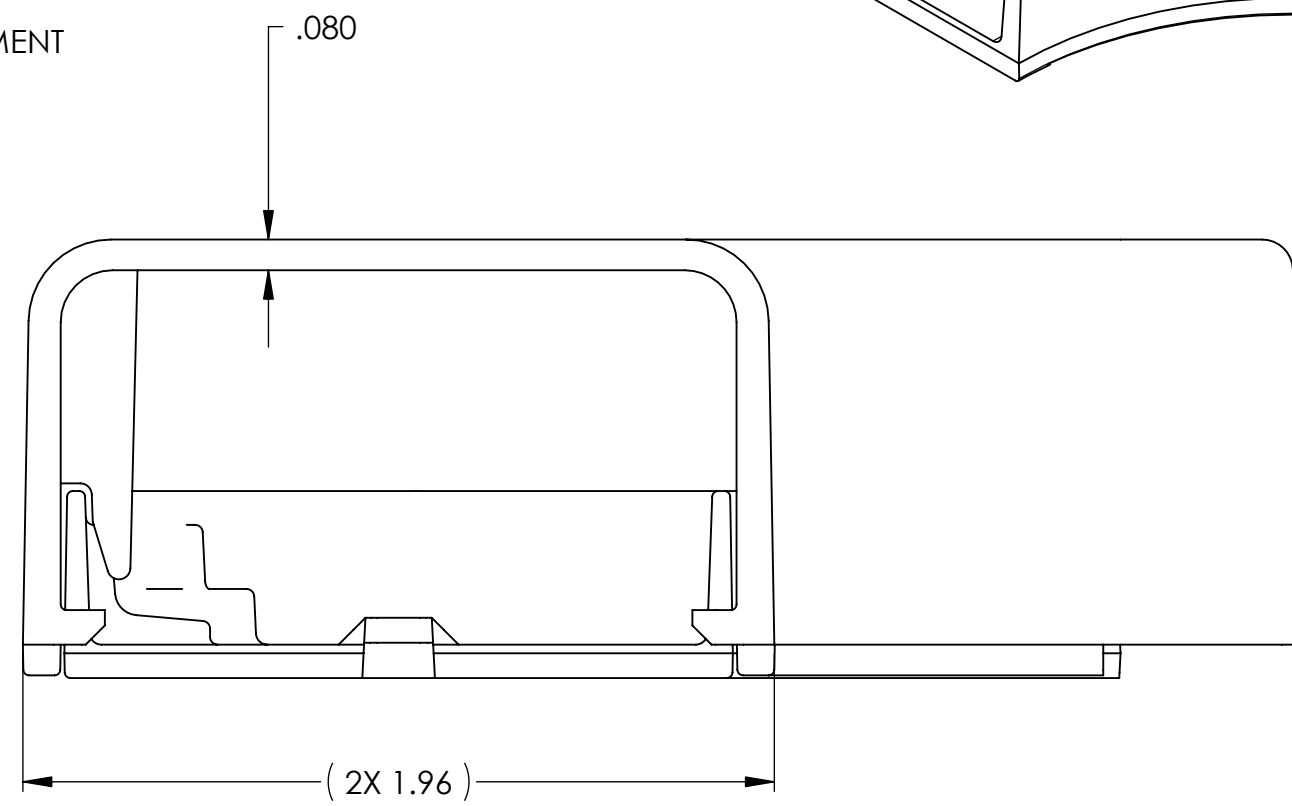
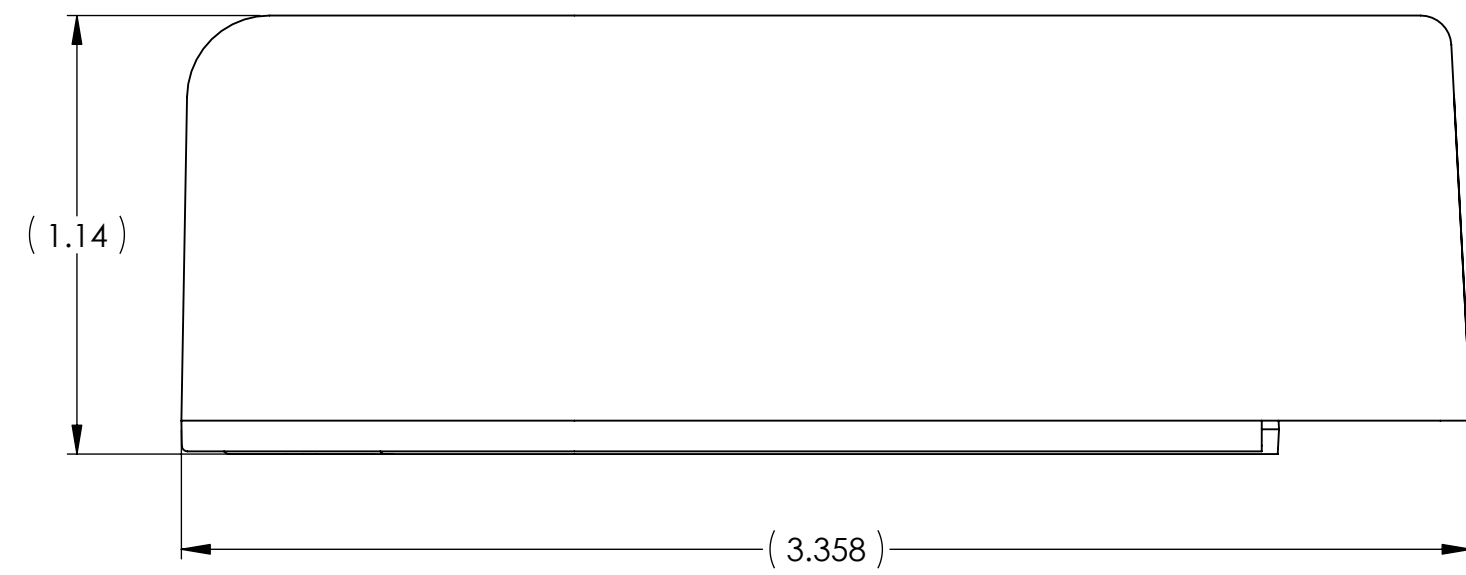
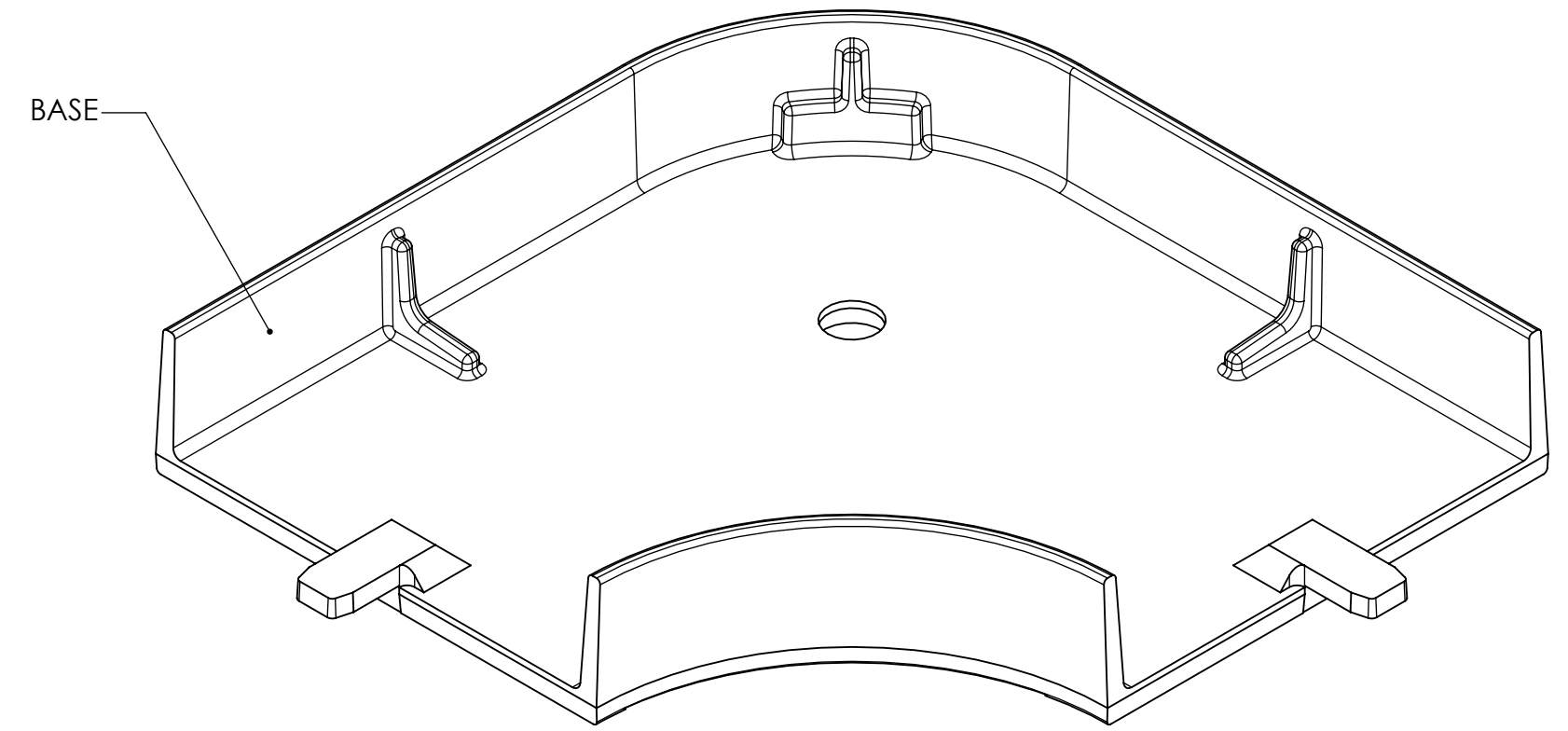
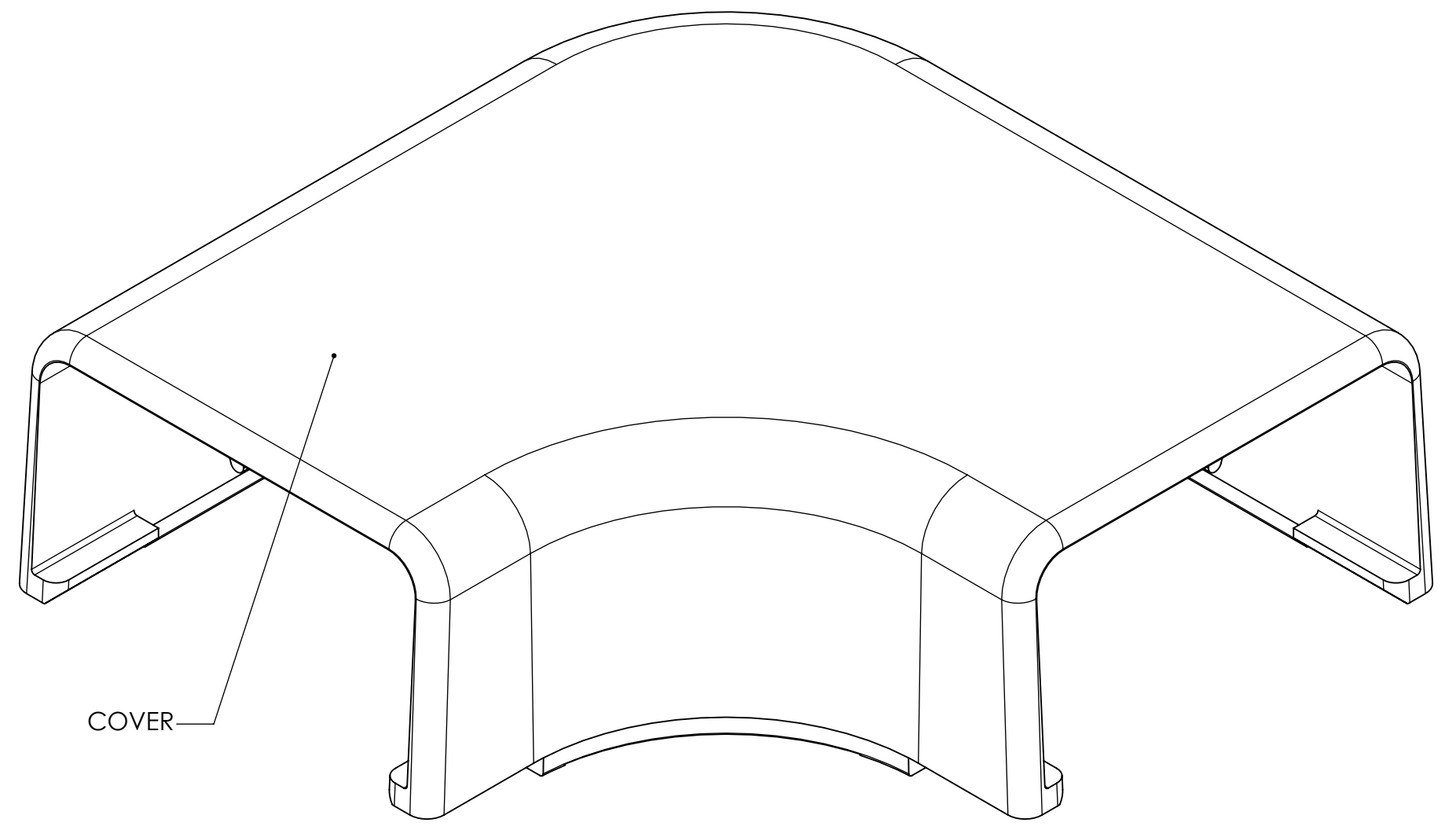
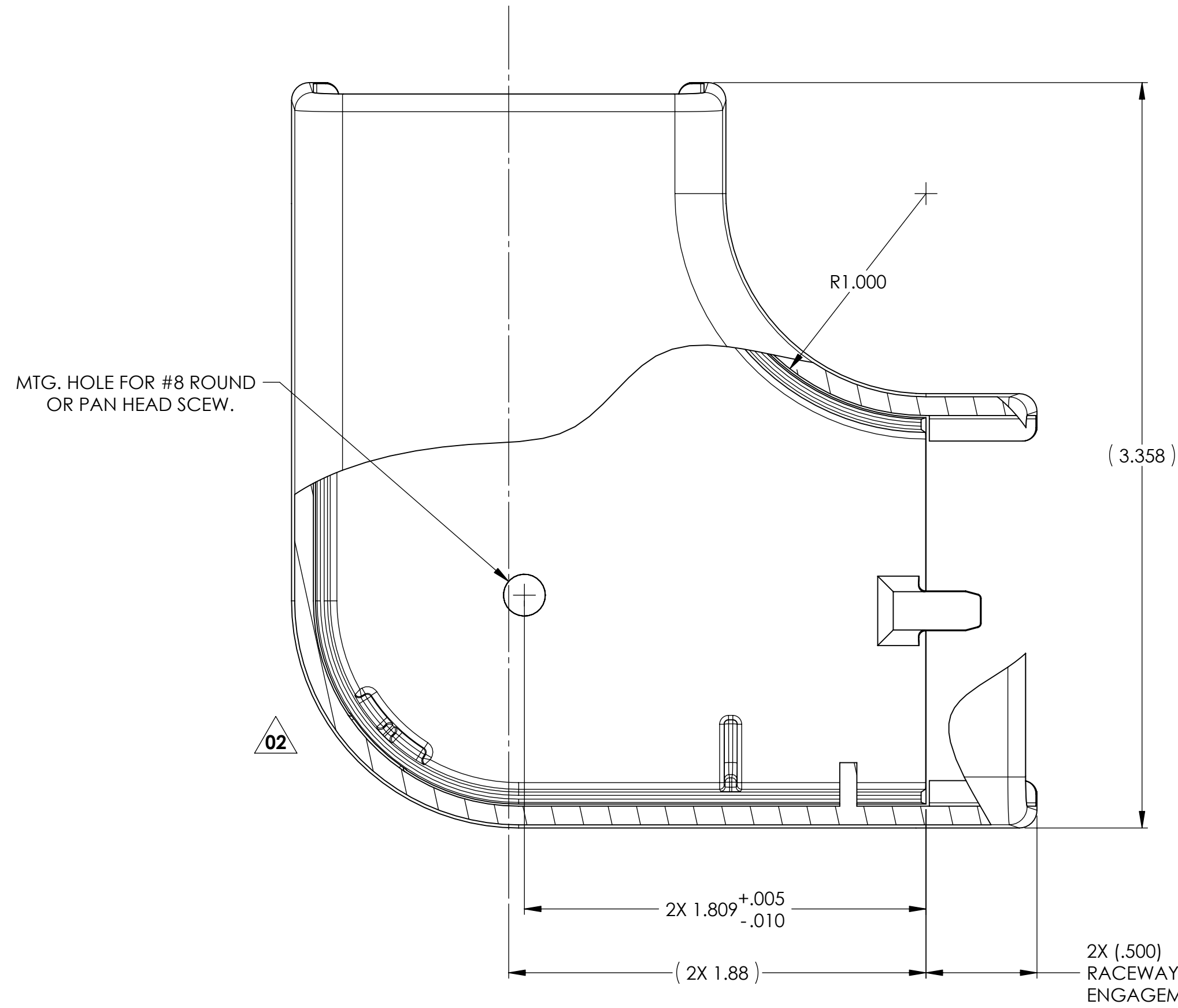
Contact us

Tel: +86-755-8981 8866 Fax: +86-755-8427 6832

Email & Skype: info@chipsmall.com Web: www.chipsmall.com

Address: A1208, Overseas Decoration Building, #122 Zhenhua RD., Futian, Shenzhen, China





PART NO. DESCRIPTION
TSRP3_-25-1

COLOR:
I = IVORY
FW = OFFICE WHITE
W = WHITE
(FOR OTHER COLORS
CONTACT FACTORY)

REDUCED
NO SCALE

HellermannTyton®

ALL PROPRIETARY RIGHTS IN THE SUBJECT MATTER SHOWN ON THIS DRAWING ARE EXCLUSIVE PROPERTY OF HELLERMANNTYTON

name	date	city, state

NOTES

1. THIS ASSEMBLY ACCEPTS (2) TSRP3 RACEWAYS.

REVISIONS	level	02
	by	PLN
	date	01/08/03
	ECN #	003572
	part level	-

DIMENSIONS	.xxxx = ± .0005
	.xxx = ± .005
	.xx = ± .01
	.x = ± .03
	∠ = ± 0.5°
unless otherwise specified	
units	inches

PART	number	TSRP3_-25-1	phase	PRODUCTION
	name			
	TSRP3-25-1			
	600V 1 3/4" ELBOW			
	WITH 1" MIN BEND RADIUS			
material	PVC			

DRAWING	format	C	CAD	SW	scale	2:1
	version N	computer file number		previous number		
	DT3034016CST_02	DT3034016CST_02				
	drawn	R.P.B.	checked	KAC	approved	
	4/12/99		03/04/03			
type	CUSTOMER			sheet 1 of 1		
number	DT3034016CST					