



Chipsmall Limited consists of a professional team with an average of over 10 year of expertise in the distribution of electronic components. Based in Hongkong, we have already established firm and mutual-benefit business relationships with customers from,Europe,America and south Asia,supplying obsolete and hard-to-find components to meet their specific needs.

With the principle of "Quality Parts,Customers Priority,Honest Operation,and Considerate Service",our business mainly focus on the distribution of electronic components. Line cards we deal with include Microchip,ALPS,ROHM,Xilinx,Pulse,ON,Everlight and Freescale. Main products comprise IC,Modules,Potentiometer,IC Socket,Relay,Connector.Our parts cover such applications as commercial,industrial, and automotives areas.

We are looking forward to setting up business relationship with you and hope to provide you with the best service and solution. Let us make a better world for our industry!



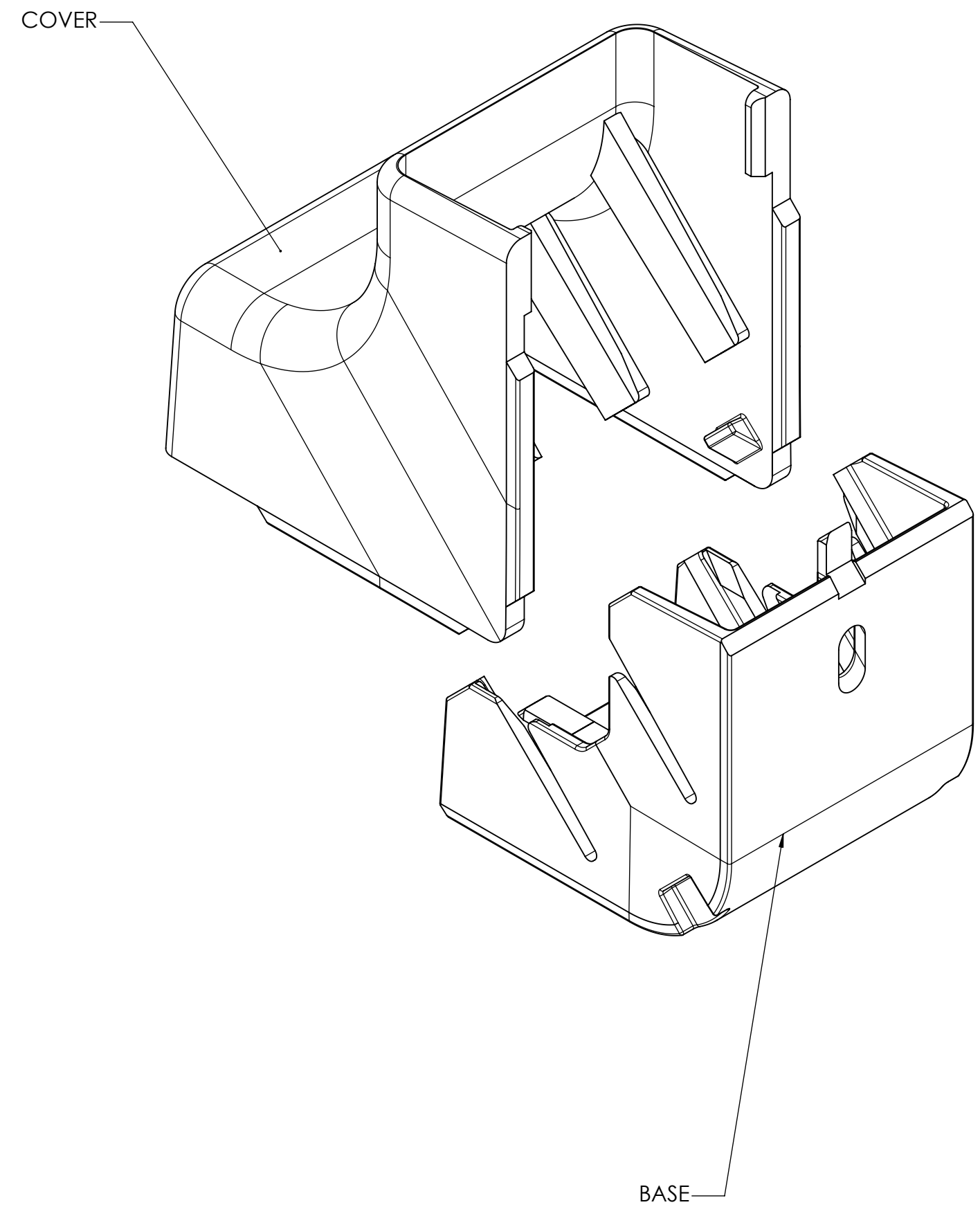
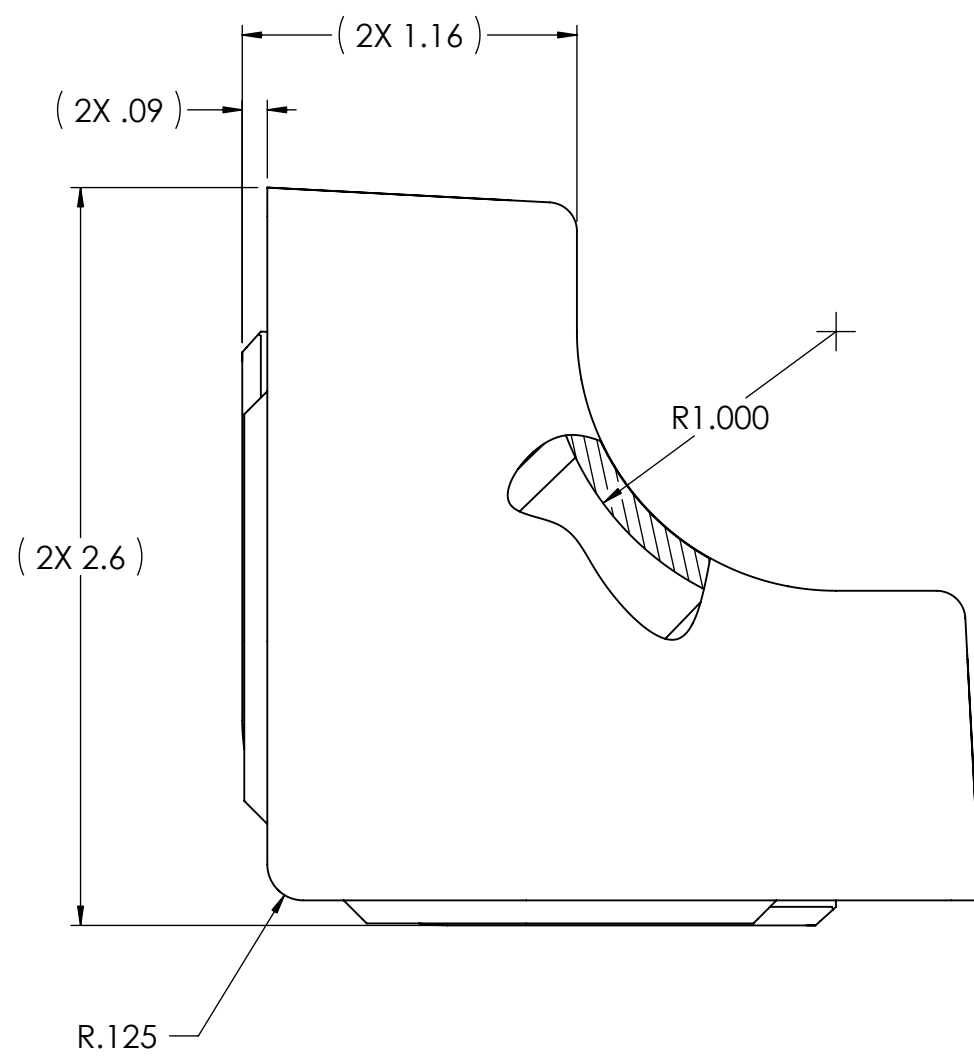
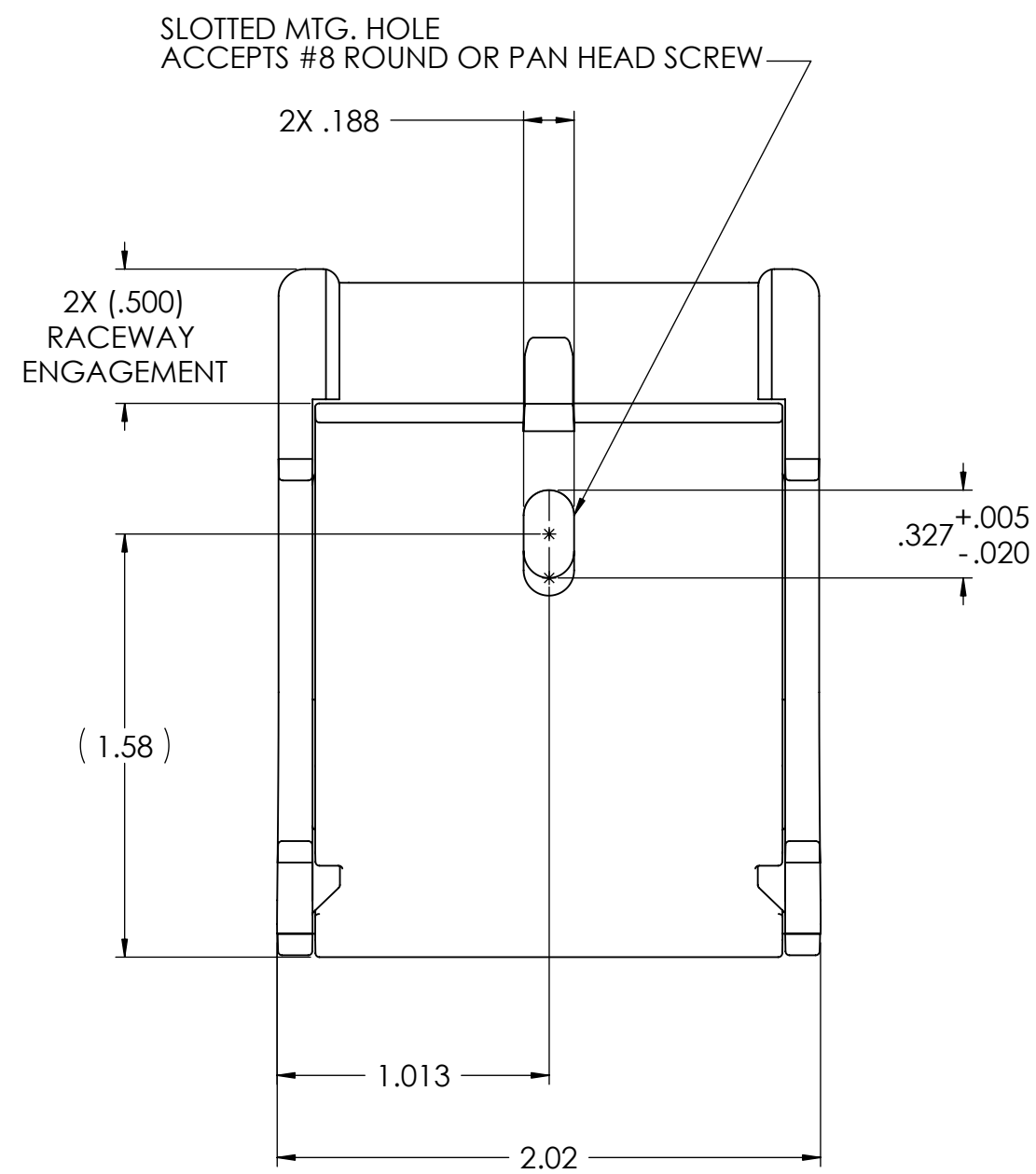
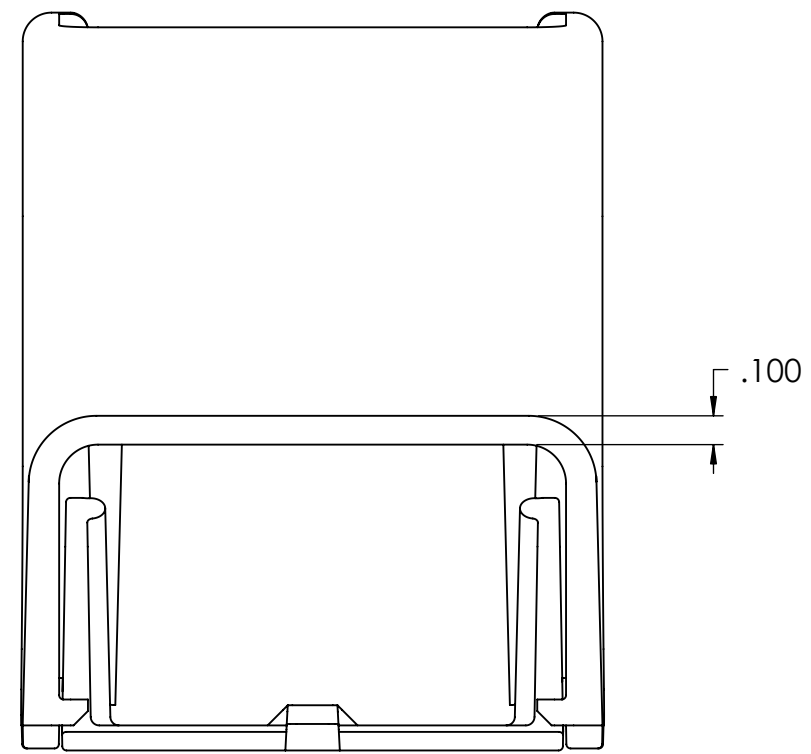
Contact us

Tel: +86-755-8981 8866 Fax: +86-755-8427 6832

Email & Skype: info@chipsmall.com Web: www.chipsmall.com

Address: A1208, Overseas Decoration Building, #122 Zhenhua RD., Futian, Shenzhen, China





PART NO. DESCRIPTION

TSRP3_-33-1

COLOR:
 I = IVORY
 FW = OFFICE WHITE
 W = WHITE
 (FOR OTHER COLORS
 CONTACT FACTORY)

REDUCED
 NO SCALE

HellermannTyton
 ALL PROPRIETARY RIGHTS IN THE SUBJECT MATTER SHOWN ON THIS DRAWING ARE EXCLUSIVE PROPERTY OF HELLERMANN TYTON

name	date	city, state

NOTES
 1. THIS ASSEMBLY ACCEPTS (2) TSRP3 RACEWAYS.

REVISIONS	DR level	02
	AW by	PLN
	IN date	01/14/03
	ECN #	003574
	part level	-

DIMENSIONS	.xxxx = ± .0005
	.xxx = ± .005
	.xx = ± .01
	.x = ± .03
	∠ = ± 0.5°
unless otherwise specified	
units	inches

PART	number	TSRP3_-33-1	phase	PRODUCTION
	name	TSRP3-33-1 600V 1 3/4" INTERNAL CORNER WITH 1" MIN BEND RADIUS		
	material	PVC		

DRAWING	format	C	CAD	SW	scale	3:2
	version N					
	computer file number	DT3034019CST_02		previous number		
	drawn	R.P.B.	checked	KAC	approved	
	date	4/15/99	checked	03/21/03	approved	
type	CUSTOMER		sheet	1 of 1		
number	DT3034019CST					