



Chipsmall Limited consists of a professional team with an average of over 10 year of expertise in the distribution of electronic components. Based in Hongkong, we have already established firm and mutual-benefit business relationships with customers from,Europe,America and south Asia,supplying obsolete and hard-to-find components to meet their specific needs.

With the principle of “Quality Parts,Customers Priority,Honest Operation,and Considerate Service”,our business mainly focus on the distribution of electronic components. Line cards we deal with include Microchip,ALPS,ROHM,Xilinx,Pulse,ON,Everlight and Freescale. Main products comprise IC,Modules,Potentiometer,IC Socket,Relay,Connector.Our parts cover such applications as commercial,industrial, and automotives areas.

We are looking forward to setting up business relationship with you and hope to provide you with the best service and solution. Let us make a better world for our industry!



Contact us

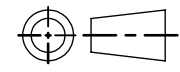
Tel: +86-755-8981 8866 Fax: +86-755-8427 6832

Email & Skype: info@chipsmall.com Web: www.chipsmall.com

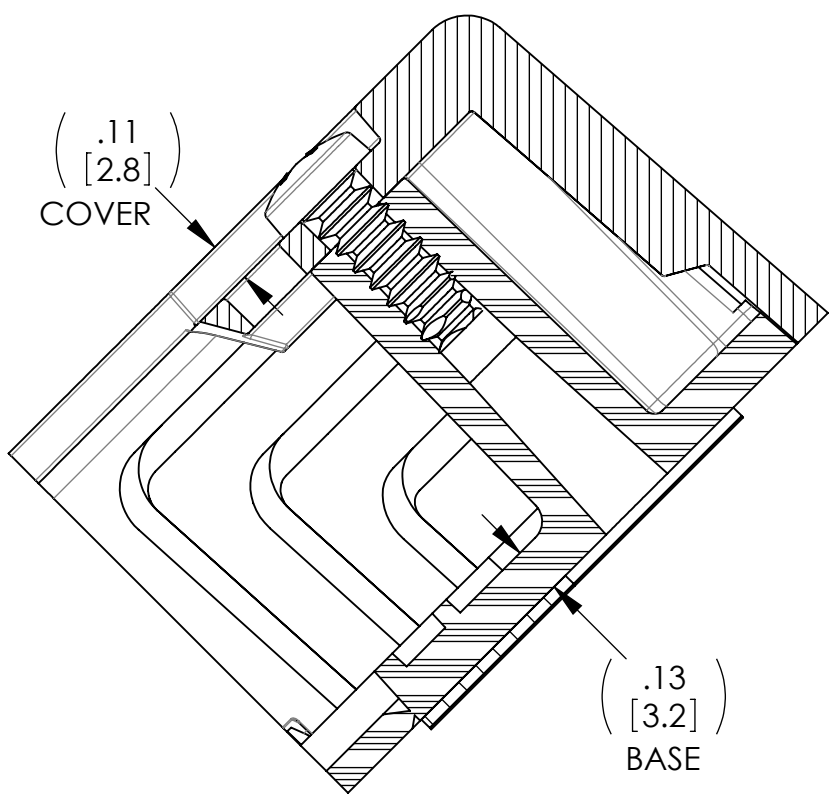
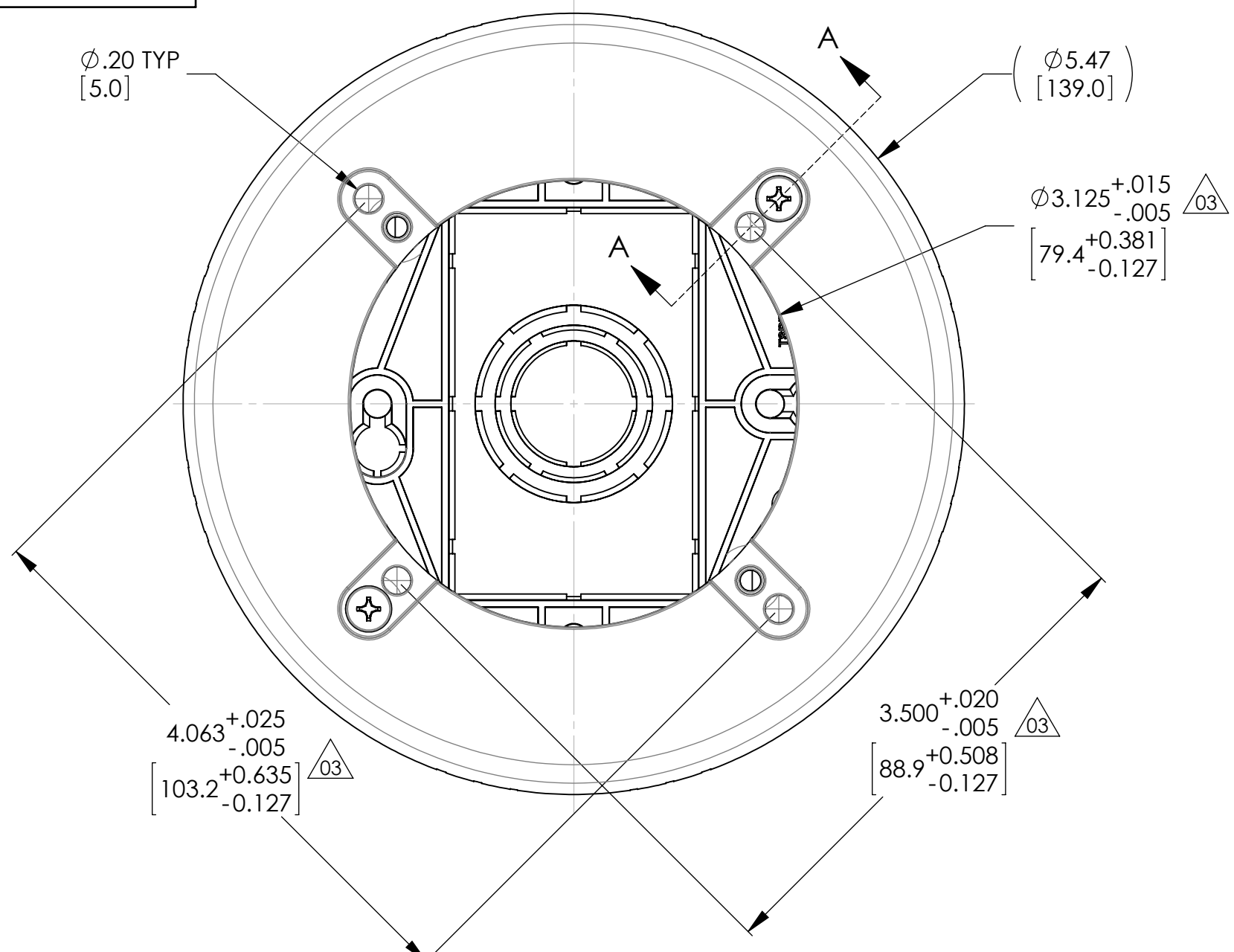
Address: A1208, Overseas Decoration Building, #122 Zhenhua RD., Futian, Shenzhen, China



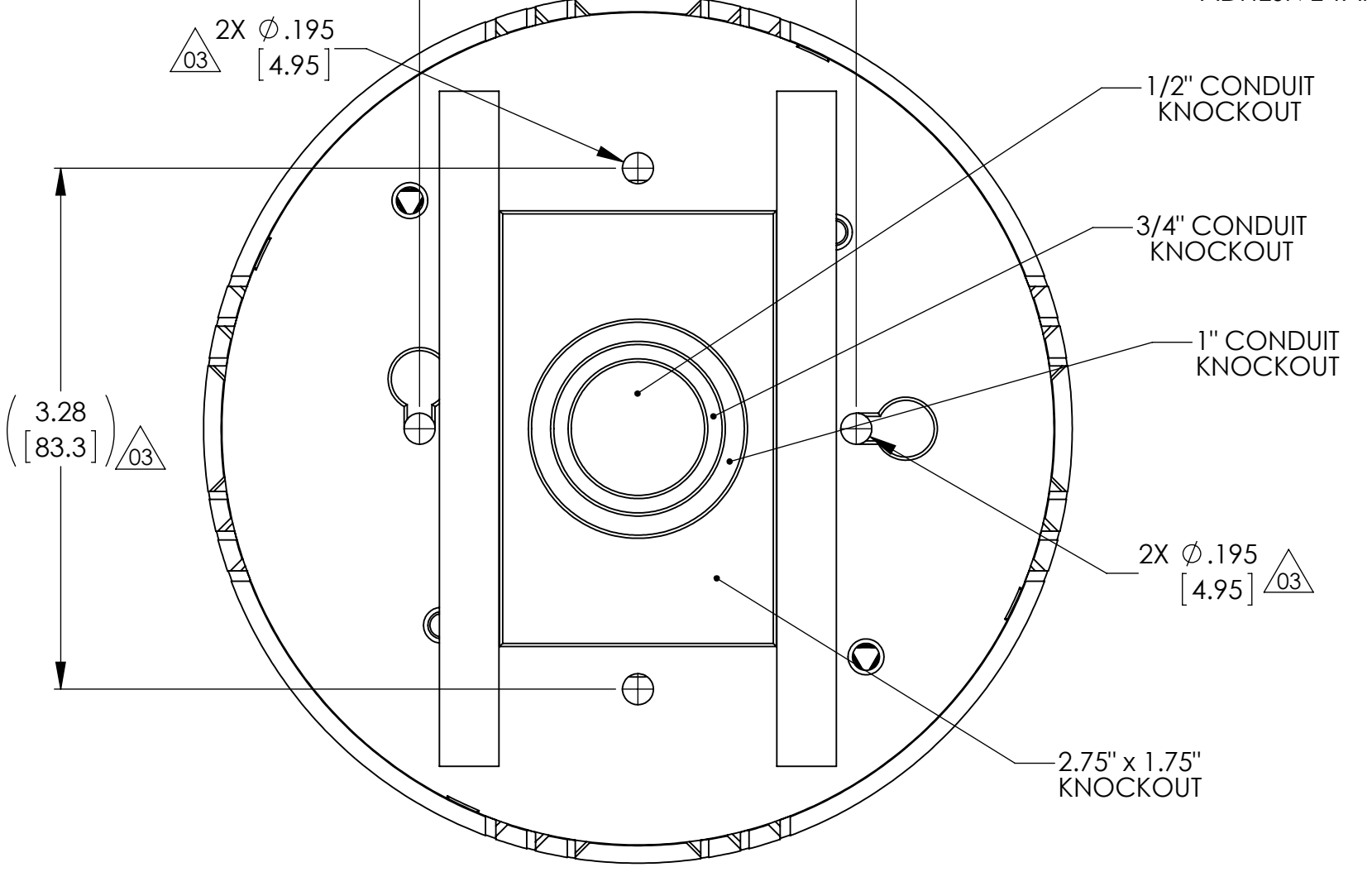
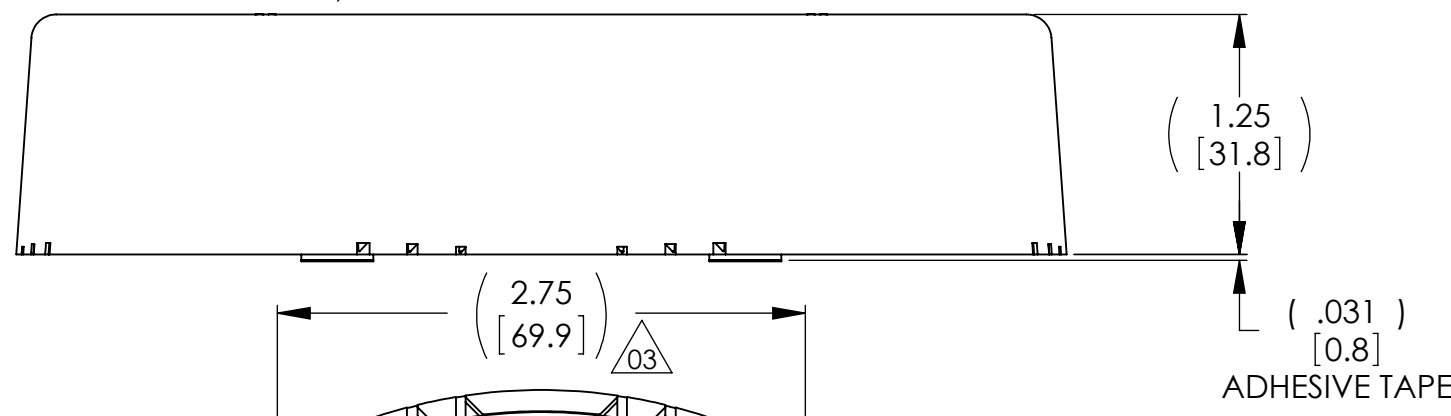
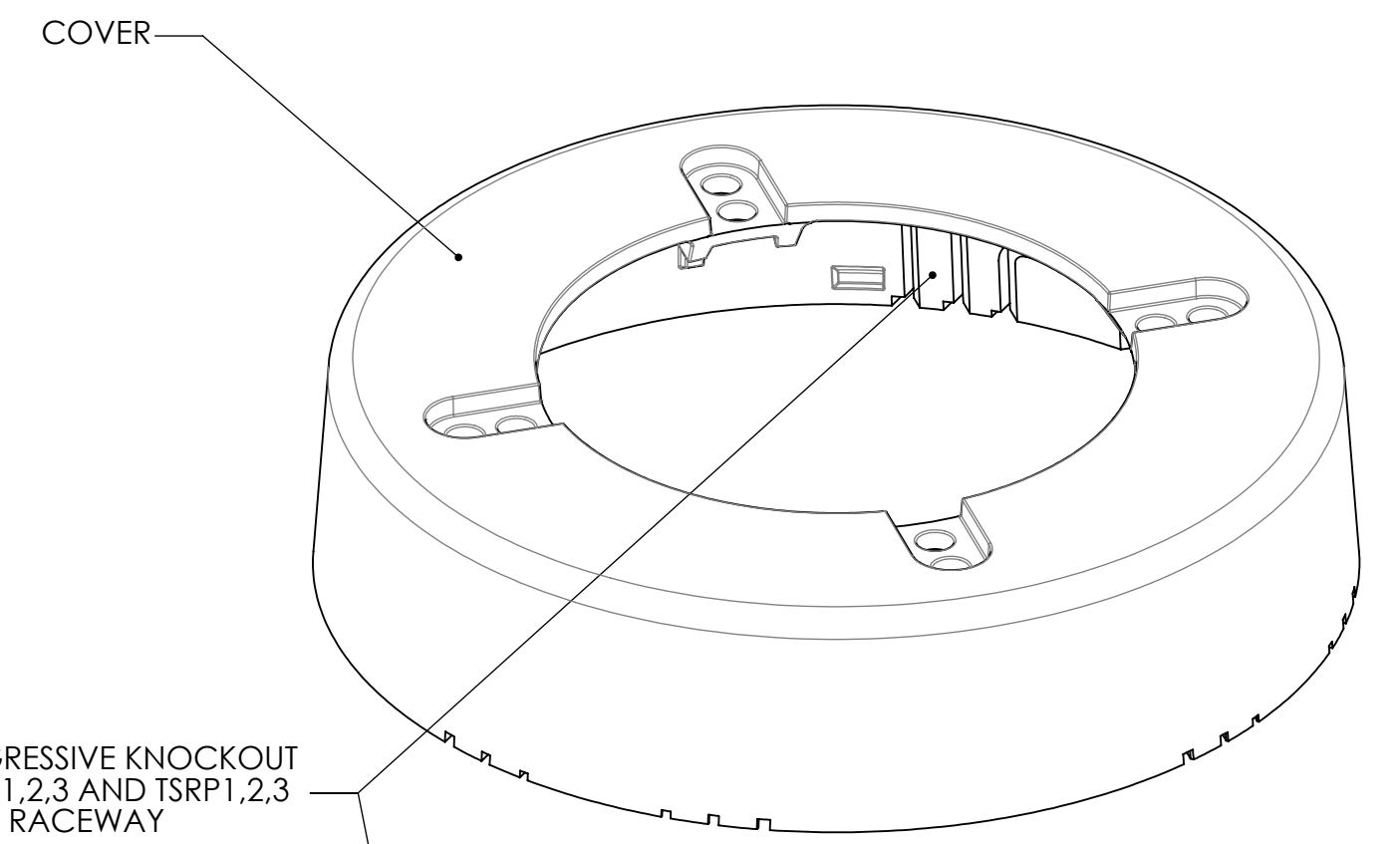
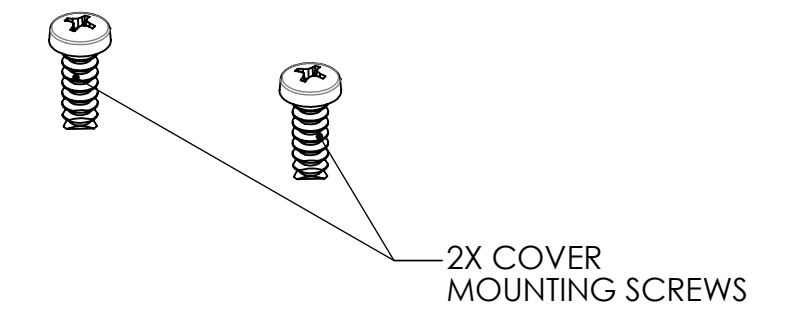
SW2011



Revision level		Revision Record	Changed	Date	Approved	Date
Drawing	Part					
03	-	SEE ECN# 012389	CJR	06/19/2013	CJR	06/19/2013



NOTE:
ALL COMPONENTS SHIP
LOOSE IN PACKAGE.



PRODUCT CODE DESCRIPTION

TSR__-RB
 COLOR
 I=IVORY
 FW=OFFICE WHITE
 W=WHITE
 (FOR OTHER COLORS
 CONTACT FACTORY)

PART NO.	DESCRIPTION
TSRP_-RB	POWER-RATED SYSTEM
TSR_-RB	LOW VOLTAGE SYSTEM

- Notes
- FEATURES:
- ADHESIVE STRIPS PROVIDED FOR EASY PLACEMENT OF BASE DURING ASSEMBLY
 - SCREWS PROVIDED FOR MOUNTING OF COVER TO BASE
 - KNOCKOUT ENTRIES FOR ALL 3 SIZES OF TSR AND TSRP RACEWAY
 - LOW PROFILE
 - PAINABLE WITH LATEX BASED PAINT
 - FACE PLATE MOUNTS TO COVER DIRECTLY FOR EASY ACCESS
 - CONDUIT AND RECTANGULAR KNOCKOUTS PROVIDED ON BASE
 - BASE IS RIBBED FOR STABILITY

Material	PVC
Units	inches
Dimension without tolerances details to:	.xxxx = ±.0005 .xxx = ±.005 .xx = ±.01 .x = ±.03 None = ±.06 ∠ = ±0.5°

The copyright of this drawing is reserved by HellermannTyton. It is issued on condition that it is not reproduced, copied, or disclosed to a third party, either wholly or in part, without the consent of HellermannTyton.

Drawn	CJR	09/27/2012
Approved	CJR	01/11/2013

HellermannTyton
 North America
 Email: corp@htamericas.com
 Web: www.hellermann.tyton.com

Article/Type-No	TSR_-RB & TSRP_-RB /03	Scale	1:1
Title	ASSY, TSRP & TSR, ROUND JUNCTION BOX	Project Number	PRP12-0638
Drawing-No	12-0638-101-CSU	Format	C
Production : Phase		Sheet	1/1