



Chipsmall Limited consists of a professional team with an average of over 10 year of expertise in the distribution of electronic components. Based in Hongkong, we have already established firm and mutual-benefit business relationships with customers from,Europe,America and south Asia,supplying obsolete and hard-to-find components to meet their specific needs.

With the principle of “Quality Parts,Customers Priority,Honest Operation,and Considerate Service”,our business mainly focus on the distribution of electronic components. Line cards we deal with include Microchip,ALPS,ROHM,Xilinx,Pulse,ON,Everlight and Freescale. Main products comprise IC,Modules,Potentiometer,IC Socket,Relay,Connector.Our parts cover such applications as commercial,industrial, and automotives areas.

We are looking forward to setting up business relationship with you and hope to provide you with the best service and solution. Let us make a better world for our industry!



Contact us

Tel: +86-755-8981 8866 Fax: +86-755-8427 6832

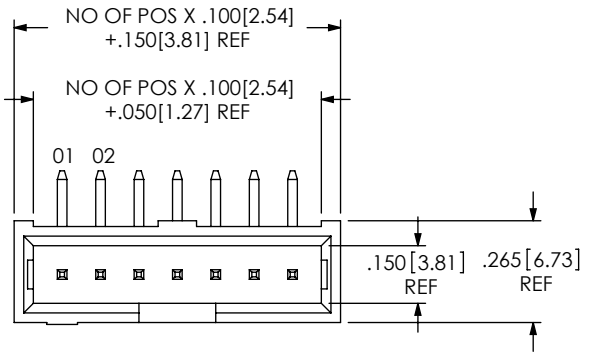
Email & Skype: info@chipsmall.com Web: www.chipsmall.com

Address: A1208, Overseas Decoration Building, #122 Zhenhua RD., Futian, Shenzhen, China



DO NOT SCALE FROM THIS PRINT

TSS-1XX-XX-XXX-X-XX-XX



NO OF POSITIONS
-02 THRU -18 & 20, 21, 24, 25, 28, 30, 32, 36 (PER ROW)

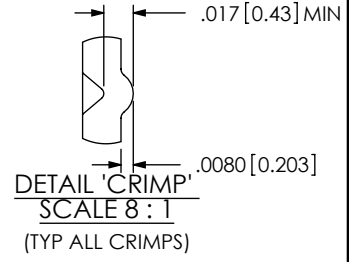
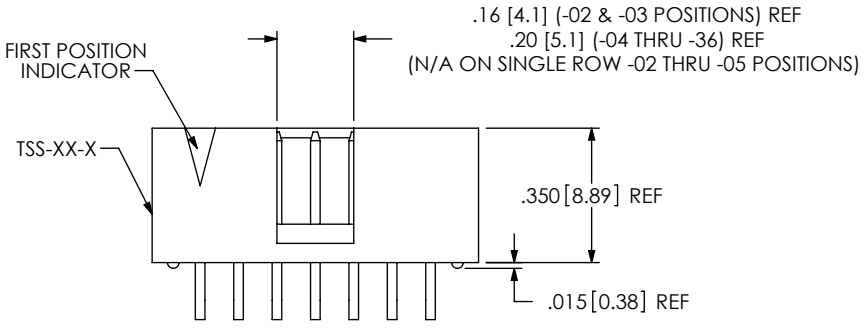
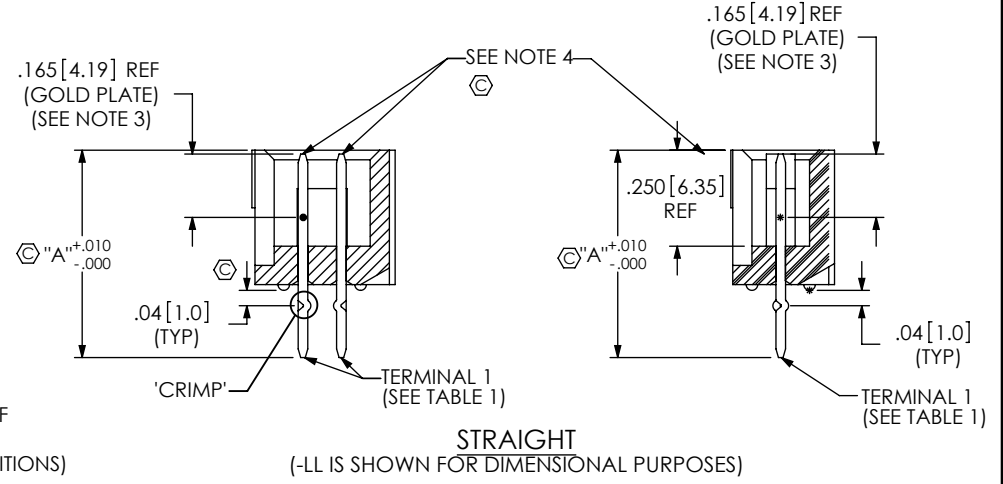
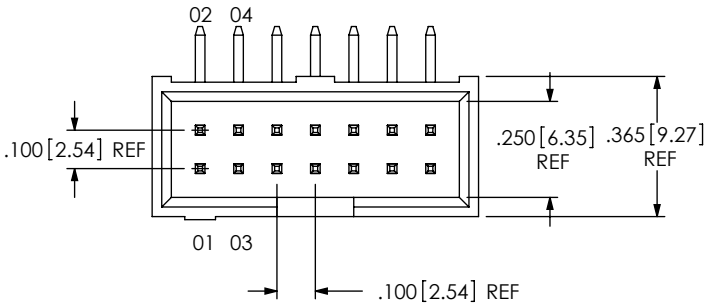
LEAD STYLE
SEE TABLE 1

PLATING SPECIFICATION
-G: GOLD, 10µ" Au / 50µ" Ni NICKEL MIN ON CONTACT, 3µ" AU / 50µ" NI MIN ON TAIL
-T: MATTE TIN CONTACT AND TAIL
-S: SELECTIVE, 30µ" Au / 50µ" Ni MIN ON CONTACT, MATTE TIN TAIL
-L: LIGHT SELECTIVE, 10µ" Au / 50µ" Ni MIN ON CONTACT, MATTE TIN TAIL
-H: HEAVY GOLD, 30µ" Au / 50µ" Ni MIN ON CONTACT, 3µ" Au / 50µ" Ni MIN ON TAIL
-F: FLASH SELECTIVE, 3µ" Au / 50µ" Ni MIN ON CONTACT, MATTE TIN TAIL
-STL: SELECTIVE, 30µ" Au / 50µ" Ni MIN ON CONTACT, TIN/LEAD (90/10+/-5%) TAIL (AVAILABLE IN -01 STYLE ONLY)
-SS: STRIPE SELECTIVE, 30µ" Au / 50µ" Ni MIN ON CONTACT, MATTE TIN TAIL (SEE NOTE 7)

POLARIZE OPTION
XX INDICATES POSITION OMITTED

OPTION
BLANK: STRAIGHT (STYLE 04 & 05 N/A)
-RA: RIGHT ANGLE (STYLE -01, -02 & -03 N/A)
-LL: LOCKING LEAD
-LA: -RA OPTION WITH -LL OPTION

ROW SPECIFICATION
-D: DOUBLE
-S: SINGLE



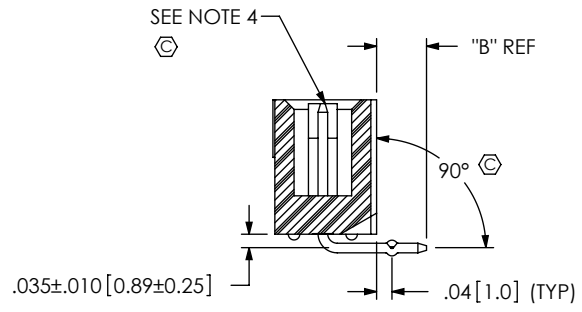
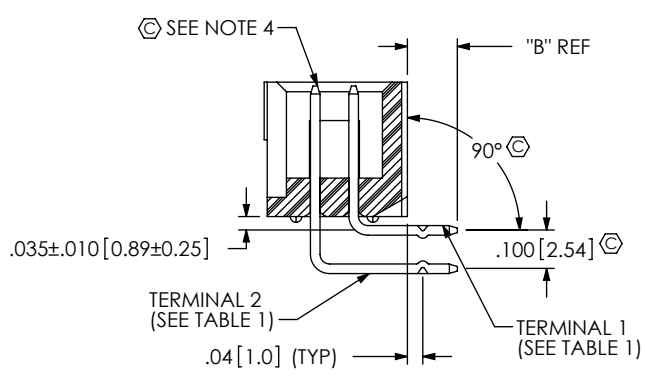
NOTES:

- ⊗ REPRESENTS A CRITICAL DIMENSION.
- MINIMUM PUSHOUT FORCE: 3 LB.
- ASSEMBLE GOLD PLATED END AS SHOWN.
- TERMINALS TO BE FLUSH TO .010 [.25] BELOW TOP OF SHROUD.
- TSS-1XX-04-X-D-RA-XX ASSEMBLIES ARE TO BE PACKAGED IN A PT-1-24-01-40 TUBE WITH TWO TP-13 PLUGS PER TUBE (ALL POSITIONS).
- ORIENTATE PINS TO REDUCE THE NUMBER OF BANDOLIERS MARKS IN THE POST AREA (SEE TABLE 2).
- AVAILABLE ON STRAIGHT LEAD STYLES -01, -02, -03 AND ON -RA LEAD STYLE -04. MATES WITH SSW, SSQ, SSM, BCS, ESW & ESQ ONLY.

<p>UNLESS OTHERWISE SPECIFIED, DIMENSIONS ARE IN INCHES. TOLERANCES ARE:</p> <p>DECIMALS ANGLES</p> <p>.XX: ±.01 [.3] 2°</p> <p>.XXX: ±.005 [.13]</p> <p>.XXXX: ±.0020 [.051]</p>	<p>PROPRIETARY NOTE</p> <p>THIS DOCUMENT CONTAINS INFORMATION CONFIDENTIAL AND PROPRIETARY TO SAMTEC, INC. AND SHALL NOT BE REPRODUCED OR TRANSFERRED TO OTHER DOCUMENTS OR DISCLOSED TO OTHERS OR USED FOR ANY PURPOSE OTHER THAN THAT WHICH IT WAS OBTAINED WITHOUT THE EXPRESSED WRITTEN CONSENT OF SAMTEC, INC.</p>	<p>DESCRIPTION:</p> <p>SLIM TOP SHROUD TERMINAL STRIP</p>	
		<p>DWG. NO.</p> <p>TSS-1XX-XX-XXX-X-XX-XX</p>	
<p>MATERIAL: DO NOT SCALE DRAWING SHEET SCALE: 2:1</p> <p>INSULATOR: PBT, UL 94 VO, COLOR: BLACK</p> <p>TERMINAL: PHOSPHOR BRONZE</p>		<p>BY: JORDAN 01/23/1990 SHEET 1 OF 2</p>	



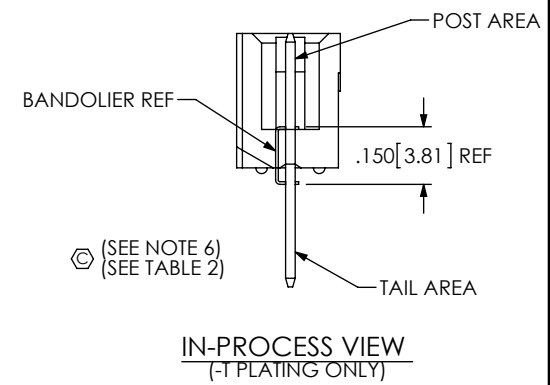
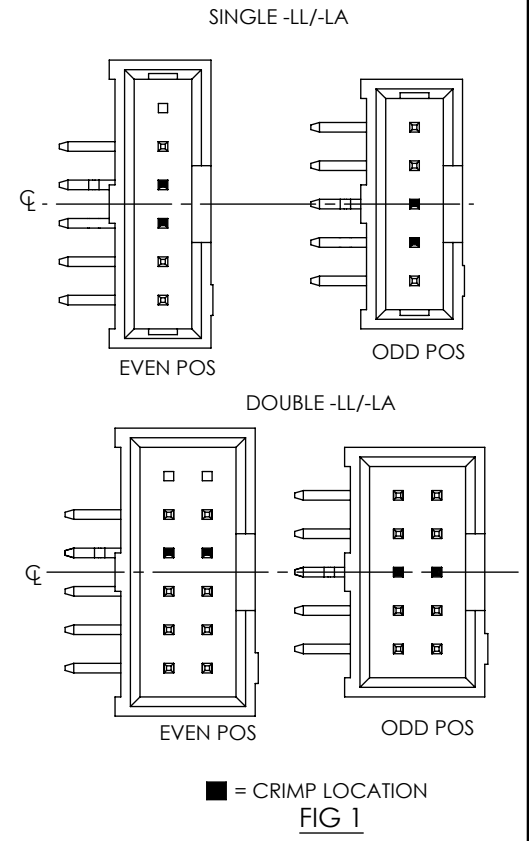
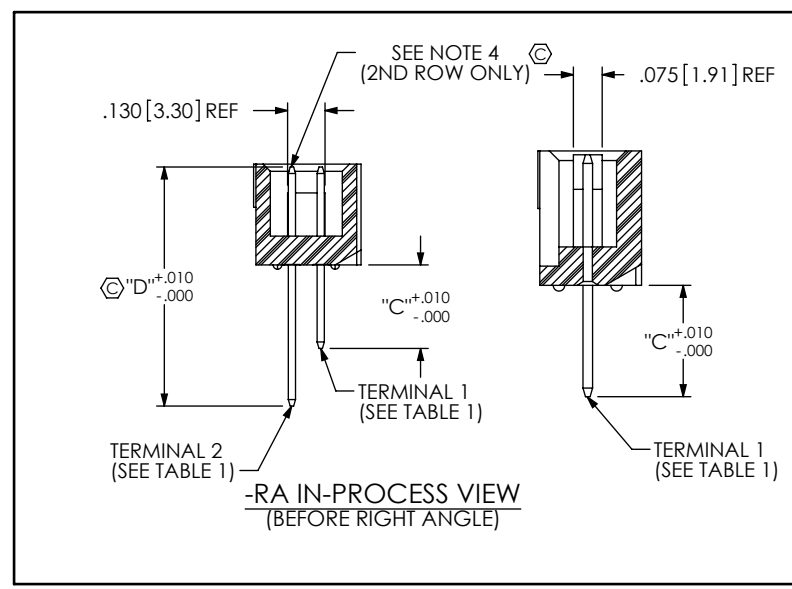
520 PARK EAST BLVD, NEW ALBANY, IN 47150
PHONE: 812-944-6733 FAX: 812-948-5047
e-Mail: info@SAMTEC.com code: 55322



RIGHT ANGLE
(-LA IS SHOWN FOR DIMENSIONAL PURPOSES)

LEAD STYLE	NUMBER OF BAND MARKS ALLOWED IN THE POST AREA	
	PIN A	PIN B
-01	1	1
-02	1	1
-03	*0	*0
-04-RA	1	*0
-05-RA	*0	*0

* PINS TO BE FLIPPED OPPOSITE OF SELECTIVE PLATING BEFORE BEING INSERTED



IN-PROCESS VIEW
(-T PLATING ONLY)

LEAD STYLE	"A"	"B"	"C"	"D"	TERMINAL 1	TERMINAL 2
-01	.480 [12.19]	N/A	N/A	N/A	T-1S6-17-X-2	N/A
-02	.530 [13.46]	N/A	N/A	N/A	T-1S6-08-X-2	N/A
-03	.930 [23.62]	N/A	N/A	N/A	T-1S6-11-X-2	N/A
-04	N/A	.130 [3.30]	.280 [7.11]	.830 [21.08]	T-1S6-15-X-2	T-1S6-10-X-2
-05	N/A	.230 [5.84]	.380 [9.65]	.930 [23.62]	T-1S6-09-X-2	T-1S6-11-X-2

PROPRIETARY NOTE
THIS DOCUMENT CONTAINS INFORMATION CONFIDENTIAL AND PROPRIETARY TO SAMTEC, INC. AND SHALL NOT BE REPRODUCED OR TRANSFERRED TO OTHER DOCUMENTS OR DISCLOSED TO OTHERS OR USED FOR ANY PURPOSE OTHER THAN THAT WHICH IT WAS OBTAINED WITHOUT THE EXPRESSED WRITTEN CONSENT OF SAMTEC, INC.

DO NOT SCALE DRAWING
SHEET SCALE: 2:1

samtec
520 PARK EAST BLVD, NEW ALBANY, IN 47150
PHONE: 812-944-6733 FAX: 812-948-5047
e-Mail: info@SAMTEC.com code: 55322

DESCRIPTION: SLIM TOP SHROUD TERMINAL STRIP
DWG. NO. TSS-1XX-XX-XXX-X-XX-XX
BY: JORDAN 01/23/1990 SHEET 2 OF 2