



Chipsmall Limited consists of a professional team with an average of over 10 year of expertise in the distribution of electronic components. Based in Hongkong, we have already established firm and mutual-benefit business relationships with customers from,Europe,America and south Asia,supplying obsolete and hard-to-find components to meet their specific needs.

With the principle of “Quality Parts,Customers Priority,Honest Operation,and Considerate Service”,our business mainly focus on the distribution of electronic components. Line cards we deal with include Microchip,ALPS,ROHM,Xilinx,Pulse,ON,Everlight and Freescale. Main products comprise IC,Modules,Potentiometer,IC Socket,Relay,Connector.Our parts cover such applications as commercial,industrial, and automotives areas.

We are looking forward to setting up business relationship with you and hope to provide you with the best service and solution. Let us make a better world for our industry!



Contact us

Tel: +86-755-8981 8866 Fax: +86-755-8427 6832

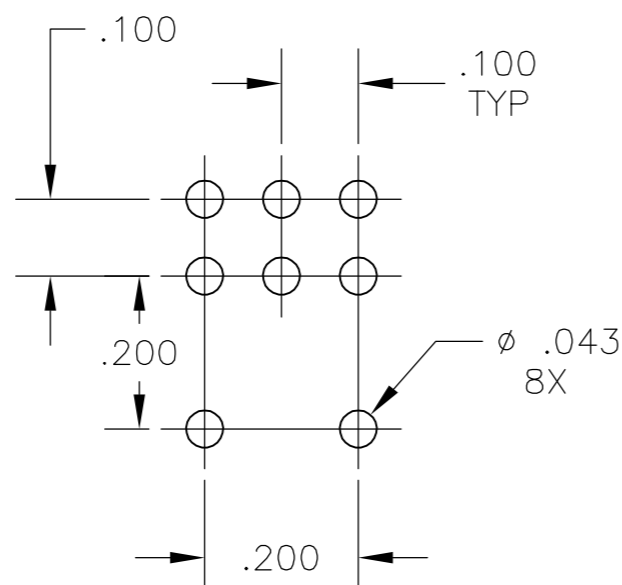
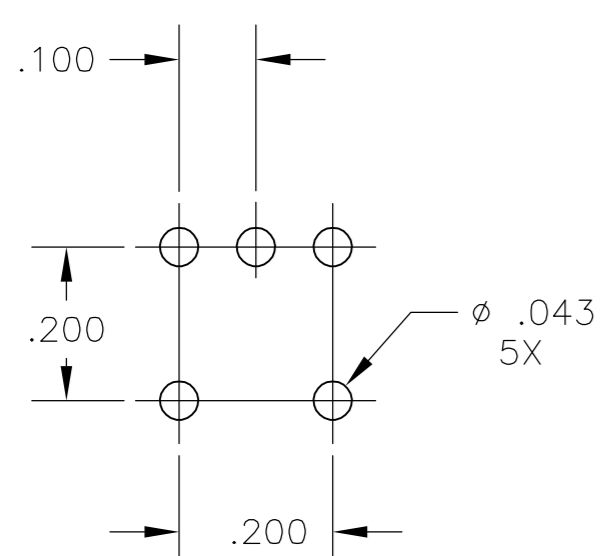
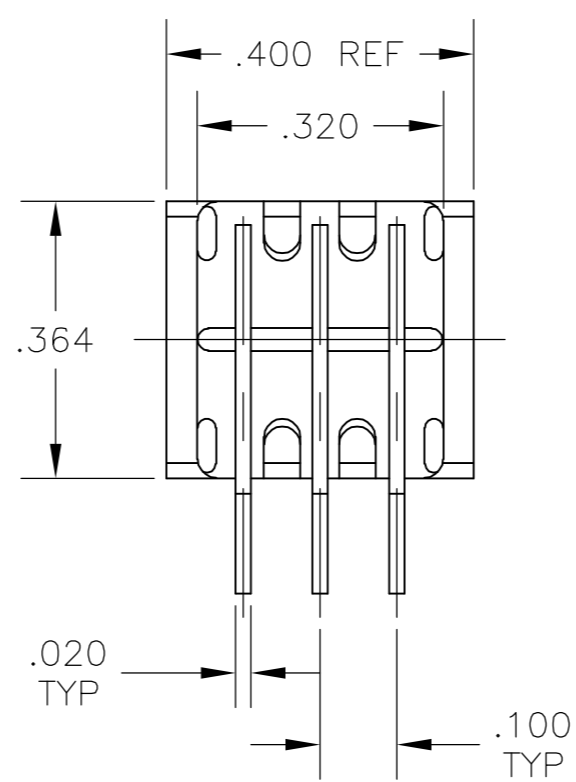
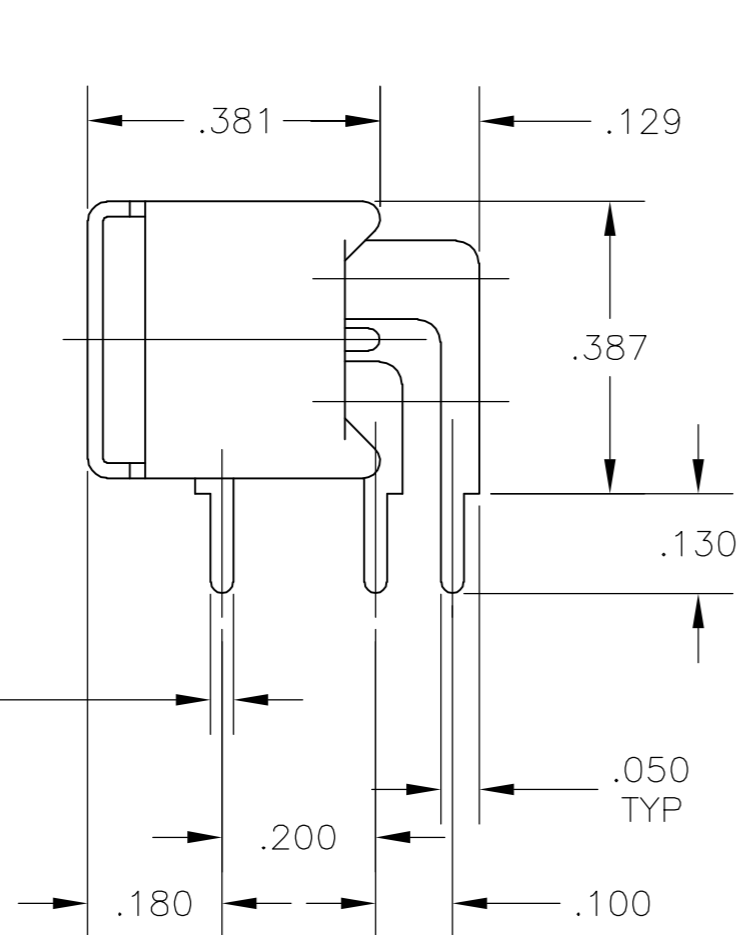
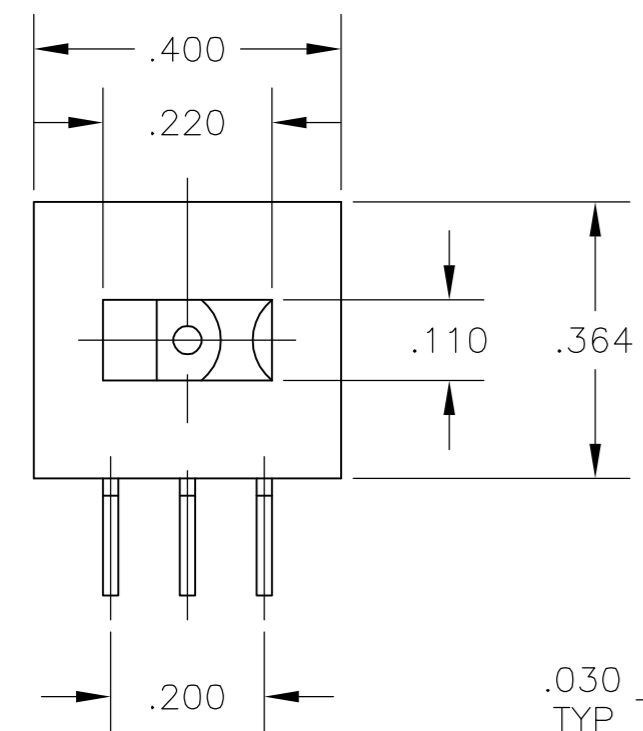
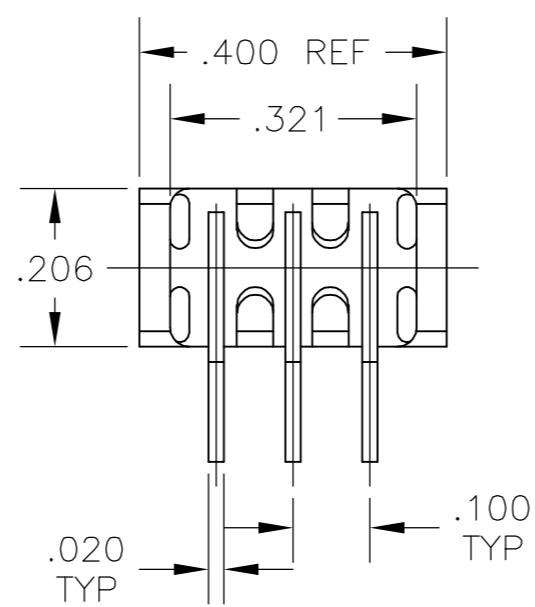
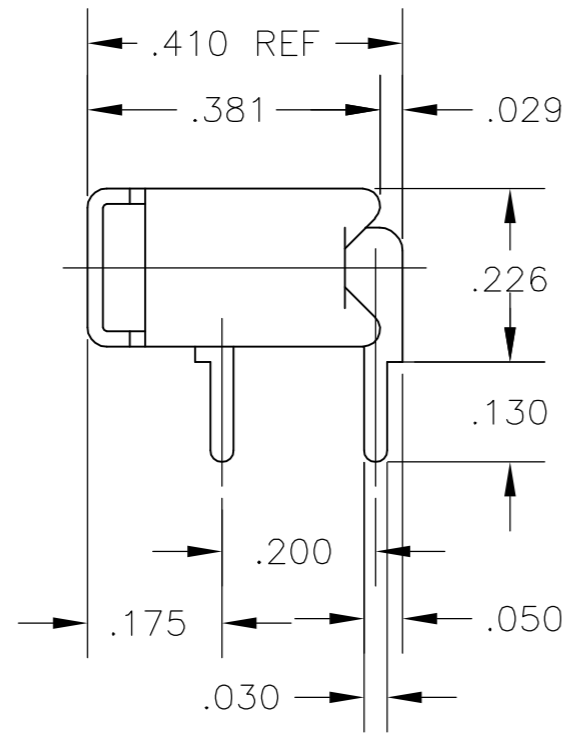
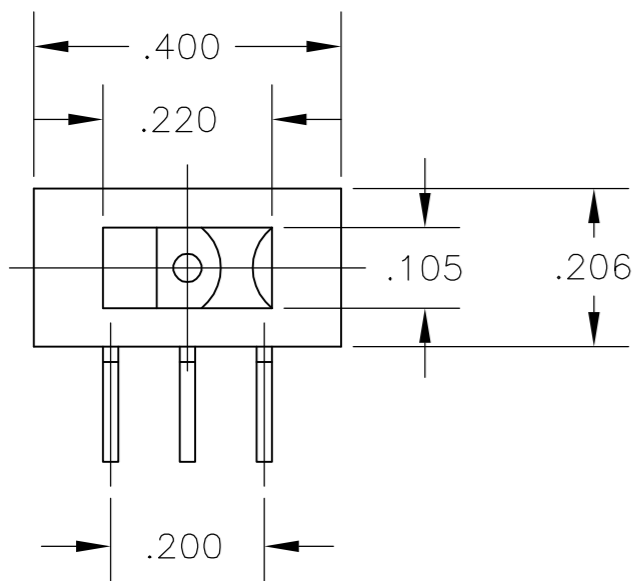
Email & Skype: info@chipsmall.com Web: www.chipsmall.com

Address: A1208, Overseas Decoration Building, #122 Zhenhua RD., Futian, Shenzhen, China



THIS DRAWING IS UNPUBLISHED. RELEASED FOR PUBLICATION
 © COPYRIGHT BY TYCO ELECTRONICS CORPORATION. ALL RIGHTS RESERVED.

LOC		DIST		REVISIONS			
AD	00	P	LTR	DESCRIPTION	DATE	DWN	APVD
		C		E0G3C-0588-03	14MAR07	BSV	MS



PC CUTOUT FOR SP

PC CUTOUT FOR DP

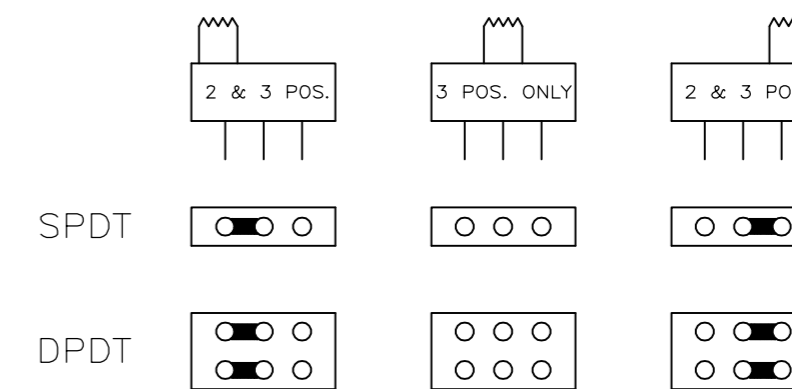
SPECIFICATIONS:

MATERIALS:
 CASE: HIGH TEMPERATURE POLYESTER.
 ACTUATOR: POLYESTER.
 MOVABLE CONTACT: GOLD OVER NICKEL OVER COPPER ALLOY.
 STATIONARY CONTACT: GOLD OVER NICKEL OVER COPPER ALLOY.
 TERMINALS: GOLD OVER NICKEL OVER COPPER ALLOY
 FRAME: BRIGHT TIN PLATE OVER C.R.S.

ELECTRICAL:
 CONTACT RATING: 0.4 VA MAX. @20 VDC OR PEAK AC.
 CONTACT RESISTANCE: 40 MILLIOHMS MAX.
 INSULATION RESISTANCE: 1000 MEGOHMS MIN. @ 500V DC
 DIELECTRIC STRENGTH: 1000 VOLTS RMS @ SEA LEVEL.
 LIFE EXPECTANCY: 60,000 - 80,000 CYCLES

ENVIRONMENTAL:
 OPERATING TEMPERATURE: -4°F TO +176°F (-20°C TO +80°C)
 STORAGE TEMPERATURE: -4°F TO +176°F (-20°C TO +80°C)

SOLDERABILITY PER EIA 364-52 CLASS 2 CATEGORY 1



TYCO PT. NO.	MODEL NO.	TYPE	ACTION
1437579-9	TSS11DG-1-RA	SPDT	ON-NONE-ON
1-1437579-3	TSS11EG-1-RA	SPDT	ON-OFF-ON
1-1437579-8	TSS21NG-1-RA	DPDT	ON-NONE-ON
2-1437579-2	TSS21PG-1-RA	DPDT	ON-OFF-ON

THIS DRAWING IS A CONTROLLED DOCUMENT.		DWN B. BUCKHEK 29AUG1978	Tyco Electronics Corporation Harrisburg, Pa 17105-3608	
DIMENSIONS: INCHES		CHK 30AUG1978	NAME	
TOLERANCES UNLESS OTHERWISE SPECIFIED:		APVD	PRODUCT SPEC	
0 PLC ± -		APVD	APPLICATION SPEC	
1 PLC ± -		WEIGHT	SIZE	
2 PLC ± -		SCALE	CAGE CODE	
3 PLC ± .010		CUSTOMER DRAWING	DRAWING NO	
4 PLC ± -		SCALE 4:1	RESTRICTED TO	
ANGLES ± 1		SHEET 1 OF 1	REV C	
FINISH		A2 00779 C=1437579-9		