



Chipsmall Limited consists of a professional team with an average of over 10 year of expertise in the distribution of electronic components. Based in Hongkong, we have already established firm and mutual-benefit business relationships with customers from,Europe,America and south Asia,supplying obsolete and hard-to-find components to meet their specific needs.

With the principle of “Quality Parts,Customers Priority,Honest Operation,and Considerate Service”,our business mainly focus on the distribution of electronic components. Line cards we deal with include Microchip,ALPS,ROHM,Xilinx,Pulse,ON,Everlight and Freescale. Main products comprise IC,Modules,Potentiometer,IC Socket,Relay,Connector.Our parts cover such applications as commercial,industrial, and automotives areas.

We are looking forward to setting up business relationship with you and hope to provide you with the best service and solution. Let us make a better world for our industry!



Contact us

Tel: +86-755-8981 8866 Fax: +86-755-8427 6832

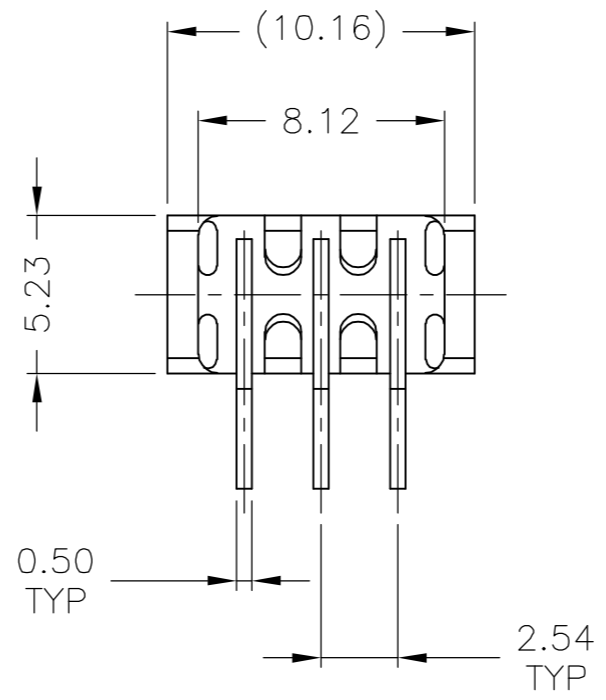
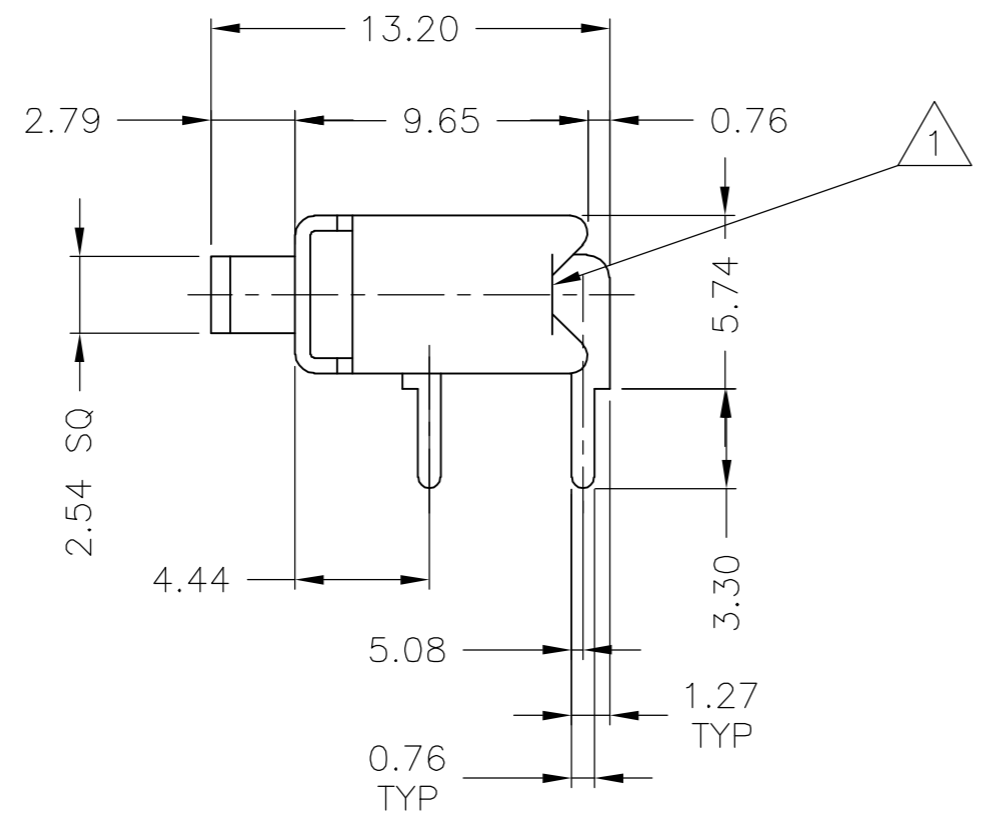
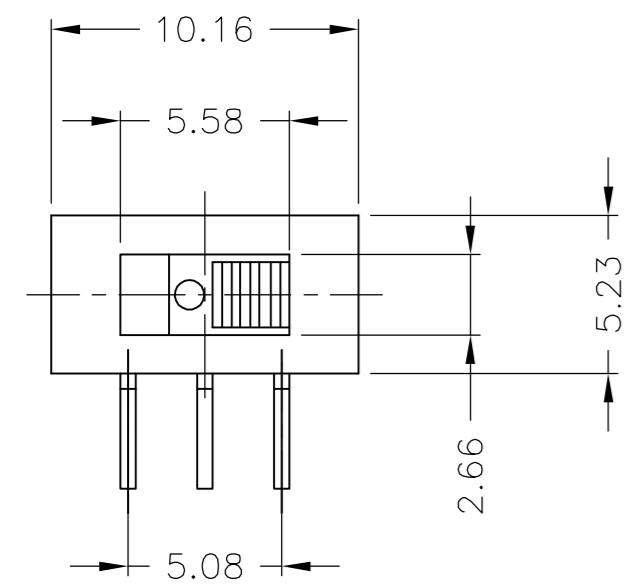
Email & Skype: info@chipsmall.com Web: www.chipsmall.com

Address: A1208, Overseas Decoration Building, #122 Zhenhua RD., Futian, Shenzhen, China



THIS DRAWING IS UNPUBLISHED. RELEASED FOR PUBLICATION
 © COPYRIGHT BY TYCO ELECTRONICS CORPORATION. ALL RIGHTS RESERVED.

LOC		DIST		REVISIONS			
AD	00	P	LTR	DESCRIPTION	DATE	DWN	APVD
		C		0G3C-0588-03	14MAR07	BSV	MS



SPECIFICATIONS:

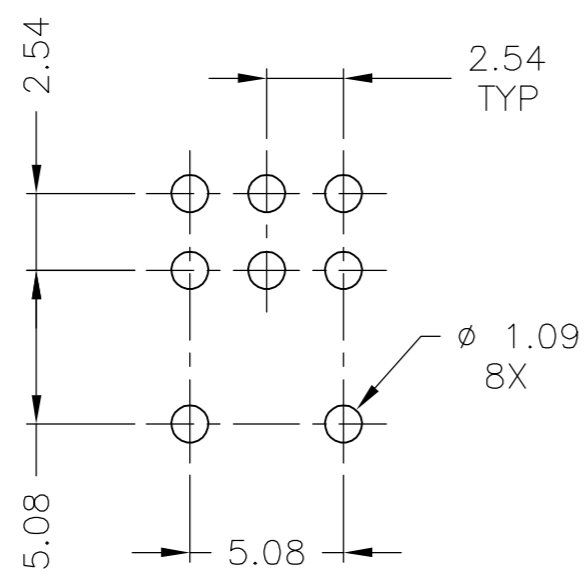
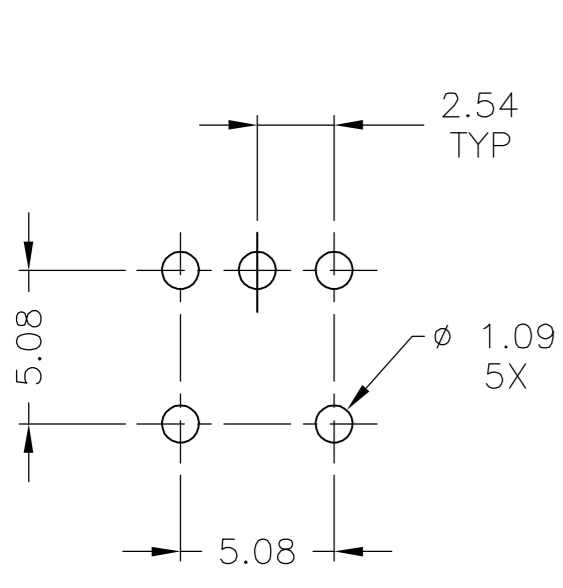
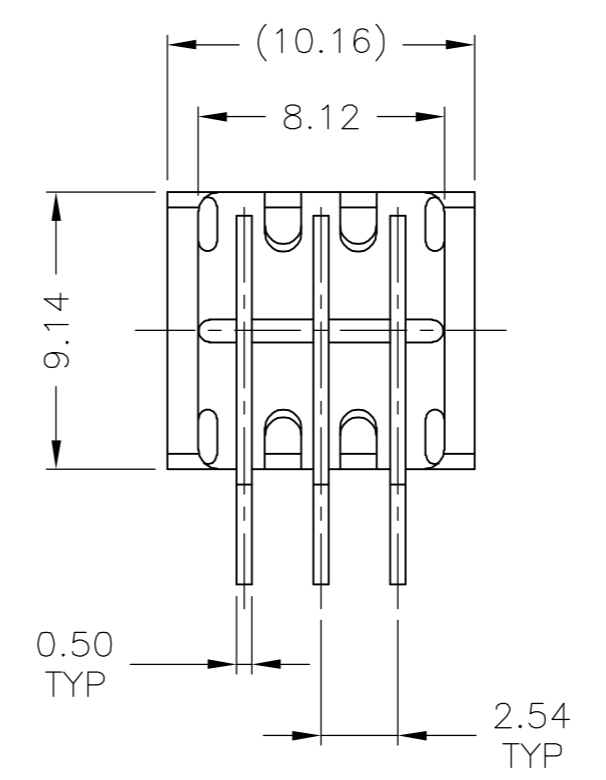
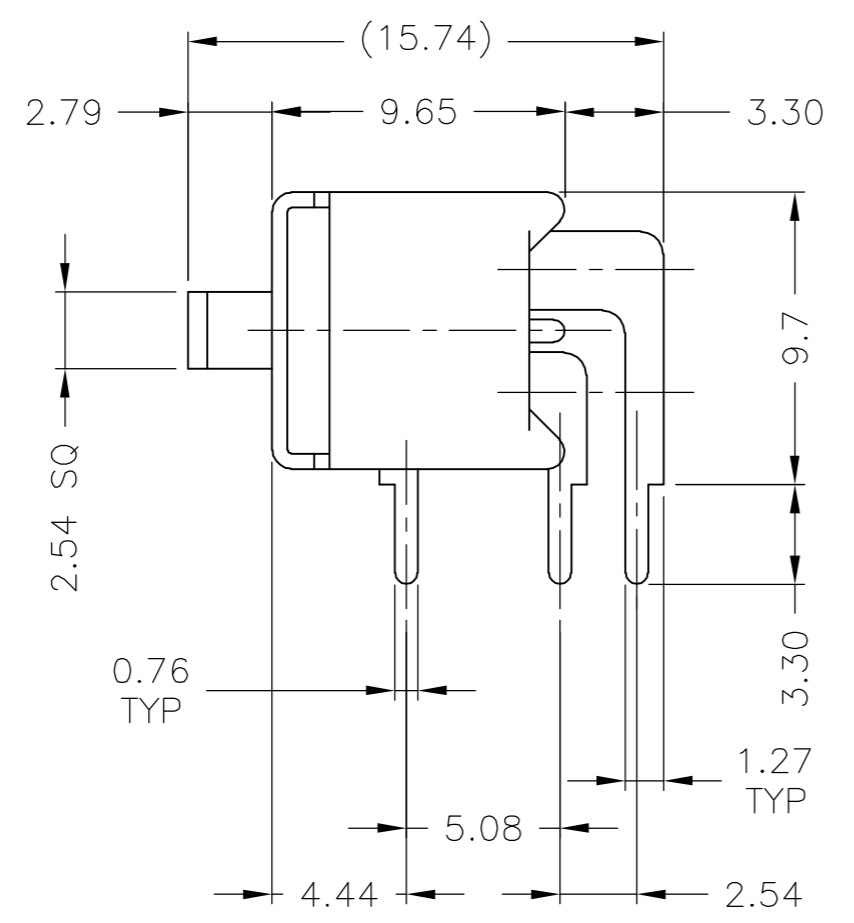
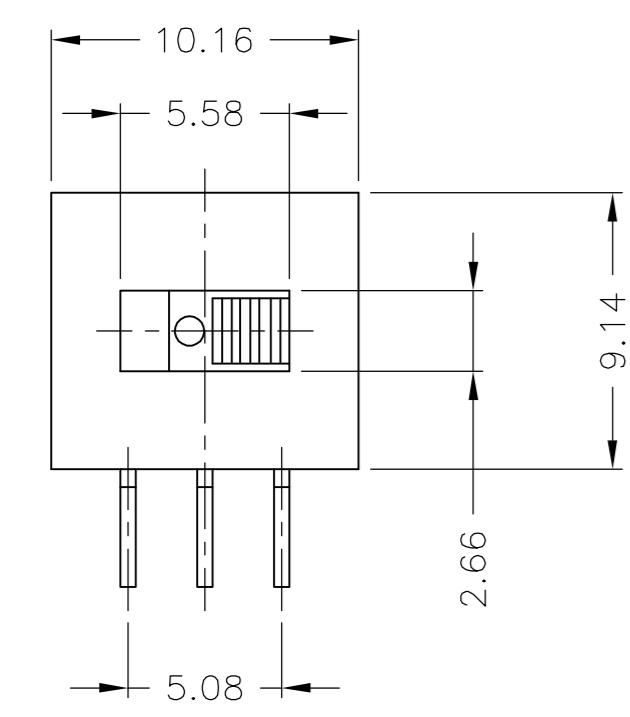
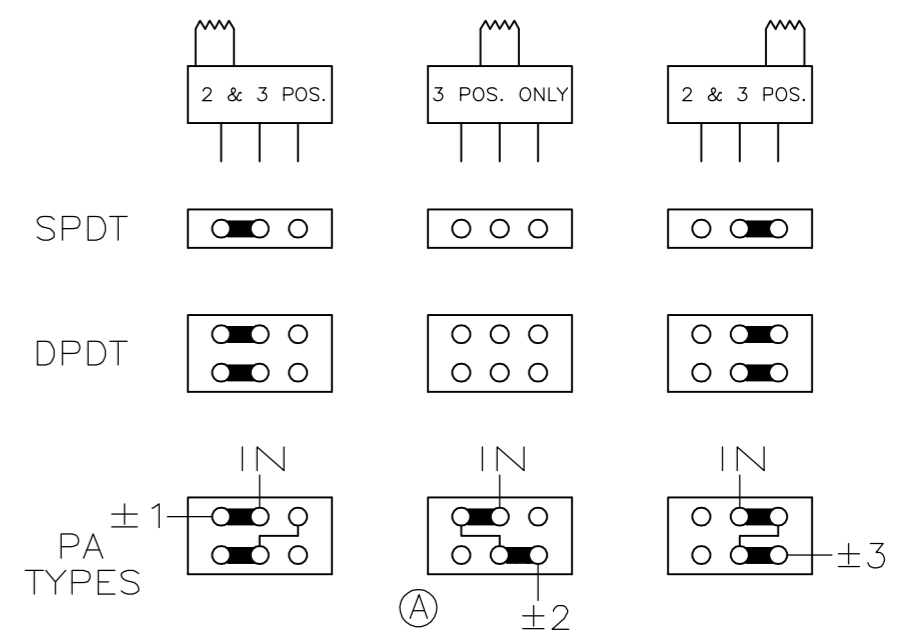
MATERIALS:
 CONTACTS: COPPER WITH GOLD PLATE OVER NICKEL PLATE.
 CASE: HIGH TEMPERATURE POLYESTER, 94V-0.
 SLIDER: POLYESTER.

ELECTRICAL:
 CONTACT RATING: 0.4 VA MAX. 20V MAX. (AC/DC).
 CONTACT RESISTANCE: 40mΩ MAX @ 100 mV/100 mA
 DIELECTRIC STRENGTH: 1000 VOLTS RMS @ SEA LEVEL.
 INSULATION RESISTANCE: 1000 MEGOHMS @ 500 VDC.
 LIFE: 60,000 - 80,000 CYCLES.

ENVIRONMENTAL:
 OPERATING TEMPERATURE: -20°C TO +80°C (-4°F TO +176°F).
 STORAGE: -20°C TO +80°C (-4°F TO +176°F).

NOTES:

- 1. EPOXY SEAL - 2-1437579-9 ONLY.
- 2. SOLDERABILITY PER EIA 364-52 CLASS 2 CATEGORY 1



PC CUTOUT FOR SP

PC CUTOUT FOR DP

TYCO PT. NO.	MODEL NO.	TYPE	POSN	ACTION
1-1437579-1	TSS11DG-RA	SPDT	2	ON-NONE-ON
1-1437579-5	TSS11EG-RA	SPDT	3	ON-OFF-ON
2-1437579-0	TSS21NG-RA	DPDT	2	ON-NONE-ON
2-1437579-4	TSS21PG-RA	DPDT	3	ON-OFF-ON
-	TSS21PAG-RA	DPDT	3	ON-ON-ON
2-1437579-9	TSS70932	SPDT	2	ON-NONE-ON

THIS DRAWING IS A CONTROLLED DOCUMENT.

DIMENSIONS: mm	TOLERANCES UNLESS OTHERWISE SPECIFIED:	DWN R. SWEENEY 13NOV1978	Tyco Electronics Corporation Harrisburg, Pa 17105-3808
0 PLC ± -	1 PLC ± -	CHK M SARVER 19APR04	
2 PLC ± -	3 PLC ± .010	APVD M SARVER 19APR04	NAME OUTLINE DRAWING TSS SLIDE SWITCH
4 PLC ± -	ANGLES ± -	PRODUCT SPEC	
MATERIAL SEE SPECIFICATIONS	FINISH SEE SPECIFICATIONS	WEIGHT -	SIZE A2
			CAGE CODE 00779
			DRAWING NO C=1-1437579-1
			RESTRICTED TO -
			SCALE 4:1
			SHEET 1 OF 1
			REV C