



Chipsmall Limited consists of a professional team with an average of over 10 year of expertise in the distribution of electronic components. Based in Hongkong, we have already established firm and mutual-benefit business relationships with customers from,Europe,America and south Asia,supplying obsolete and hard-to-find components to meet their specific needs.

With the principle of “Quality Parts,Customers Priority,Honest Operation,and Considerate Service”,our business mainly focus on the distribution of electronic components. Line cards we deal with include Microchip,ALPS,ROHM,Xilinx,Pulse,ON,Everlight and Freescale. Main products comprise IC,Modules,Potentiometer,IC Socket,Relay,Connector.Our parts cover such applications as commercial,industrial, and automotives areas.

We are looking forward to setting up business relationship with you and hope to provide you with the best service and solution. Let us make a better world for our industry!



Contact us

Tel: +86-755-8981 8866 Fax: +86-755-8427 6832

Email & Skype: info@chipsmall.com Web: www.chipsmall.com

Address: A1208, Overseas Decoration Building, #122 Zhenhua RD., Futian, Shenzhen, China



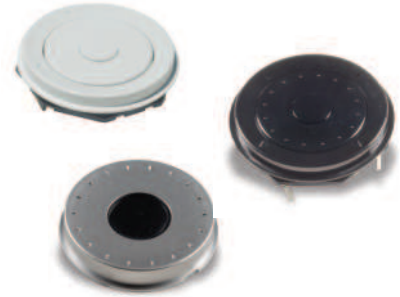
TSW Series 3 or 7 Function Tact and Scroll Wheel

Features/Benefits

- Compact and slim
- Multiple function in one component (rotary, select)
- Easy installation
- Through hole termination
- Integrated decoration (B type)

Typical Applications

- Remote controls
- Desk phones
- Keyboards
- Printers
- Entertainment systems
- White goods



Operation Characteristics

OPERATING FORCE: See chart below
24 detent - 12 pulses/360°

Specifications

INITIAL CONTACT RESISTANCE: Max. 300mΩ
INSULATION RESISTANCE: Min. 100 MΩ (100 VDC)
RATING: 1mA 10 VDC
LIFE CYCLE: See chart below
OPERATING FREQUENCY:
Rotation - Max. 30 operations per minute
Push - Max. 120 operations per minute
Depression - Max. 300 gf

Environmental

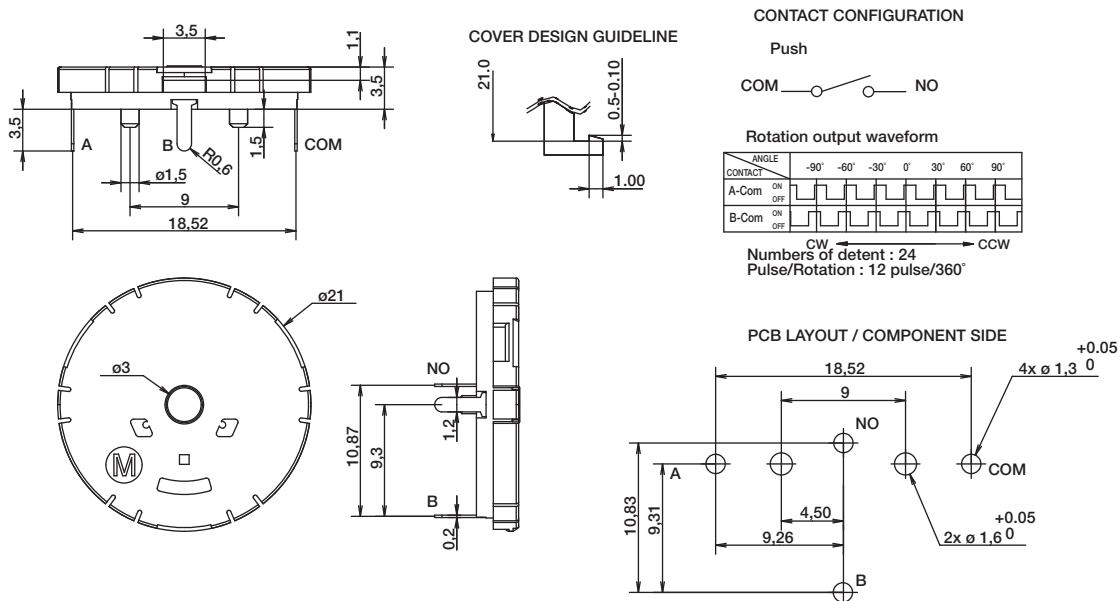
OPERATING TEMPERATURE: 0°C / 40°C
STORAGE TEMPERATURE: -40°C / 70°C
VIBRATION RESISTANCE: 10 ~ 55 Hz, displacement 0.75mm (p-p)
SHOCK RESISTANCE: Destruction 1,000 m/s² (approx. 100G) max.
WAVE SOLDERING: Max. 260°C for 5 seconds
HAND SOLDERING: Max. 260°C for 5 seconds

Designation	Number of Circuits	Rotation Actuation Force	Push Actuation Force	Cycle Life Rotation (per direction)	Cycle Life Push
TSWA	3	Max. 60g - cm	220g ± 50g	1,000K cycles	1,000K cycles
TSWB	5	Max. 50g - cm	Max 300g	1,000K cycles	1,000K cycles

Part Number	Description	Tray	Box
TSWA-3N-C LFS	Base switch with jog and select, no decoration	80	160
TSWA-3N-CB11 LFS	Base switch with jog and select, white central button, white dial	65	130
TSWA-3N-CD23 LFS	Base switch with jog and select, black central button, grey dial	30	60
TSWB-3N-CB111 LFS	Central select with jog and 4 directions, white central button, dial & direction ring	30	60
TSWB-3N-CB222 LFS	Central select with jog and 4 directions, black central button, dial & direction ring	30	60

TSWA-3N-C LFS

Base switch with jog and select, no decoration



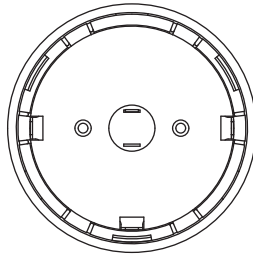
Dimensions are shown: mm
Specifications and dimensions subject to change



TSW Series

3 or 7 Function Tact and Scroll Wheel

TSWA-3N-CB11 LFS Base switch with jog and select, white central button, white dial

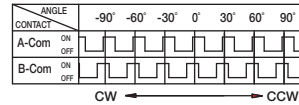


CONTACT CONFIGURATION

Push



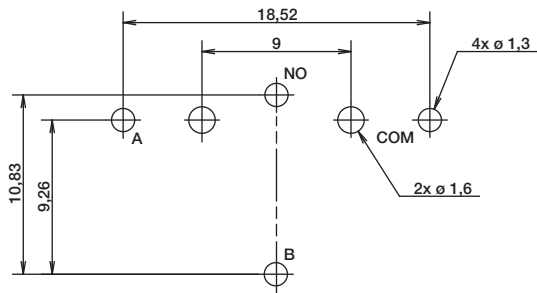
Rotation output waveform



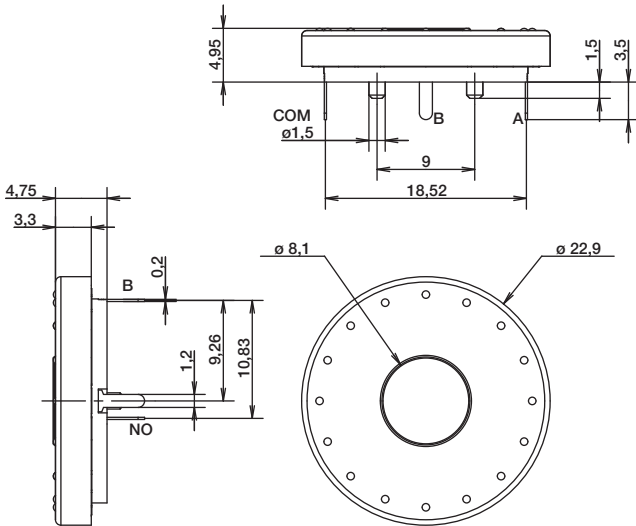
Numbers of detent : 24

Pulse/Rotation : 12 pulse/360°

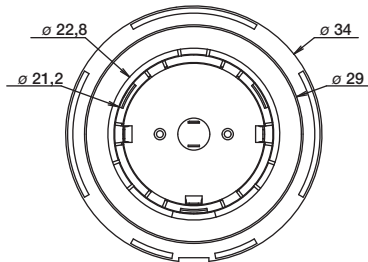
PCB LAYOUT / COMPONENT SIDE



Navigation



TSWA-3N-CD23 LFS Base switch with jog and select, black central button, grey dial

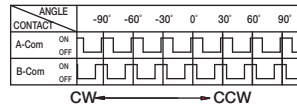


CONTACT CONFIGURATION

Push



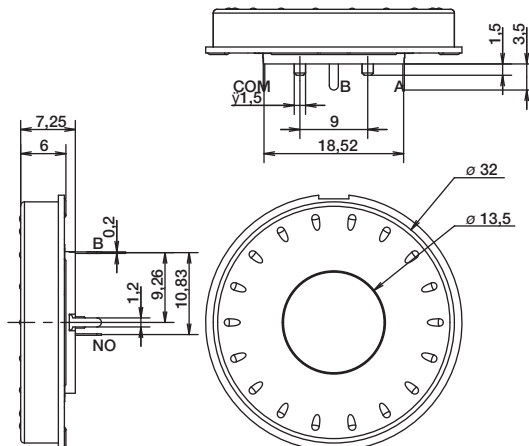
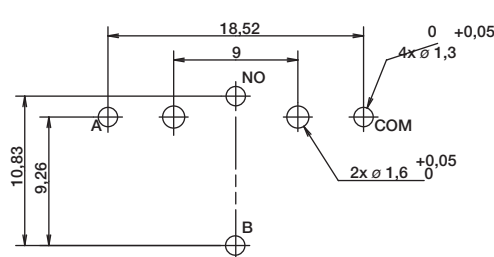
Rotation output waveform



Numbers of detent : 24

Pulse/Rotation : 12 pulse/360°

PCB LAYOUT / COMPONENT SIDE



First Angle Projection

Dimensions are shown: mm
Specifications and dimensions subject to change



