



Chipsmall Limited consists of a professional team with an average of over 10 year of expertise in the distribution of electronic components. Based in Hongkong, we have already established firm and mutual-benefit business relationships with customers from,Europe,America and south Asia,supplying obsolete and hard-to-find components to meet their specific needs.

With the principle of “Quality Parts,Customers Priority,Honest Operation,and Considerate Service”,our business mainly focus on the distribution of electronic components. Line cards we deal with include Microchip,ALPS,ROHM,Xilinx,Pulse,ON,Everlight and Freescale. Main products comprise IC,Modules,Potentiometer,IC Socket,Relay,Connector.Our parts cover such applications as commercial,industrial, and automotives areas.

We are looking forward to setting up business relationship with you and hope to provide you with the best service and solution. Let us make a better world for our industry!



Contact us

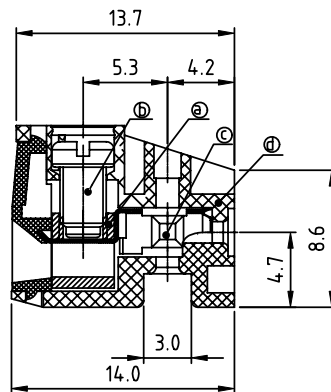
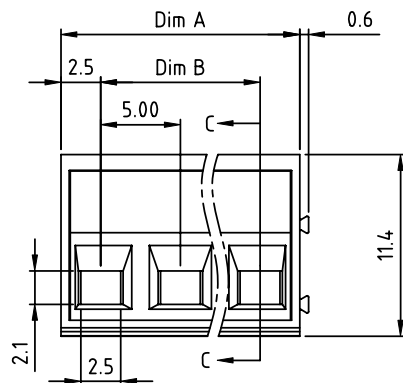
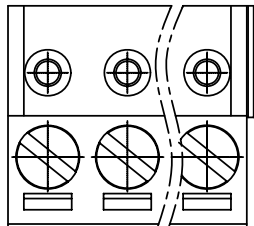
Tel: +86-755-8981 8866 Fax: +86-755-8427 6832

Email & Skype: info@chipsmall.com Web: www.chipsmall.com

Address: A1208, Overseas Decoration Building, #122 Zhenhua RD., Futian, Shenzhen, China



| | |
|----------------|---------|
| PRODUCT NUMBER | PITCH |
| TTxx01x000J0G | 5.00 mm |



Section C-C

Material

- Item ① Clamp: Brass(CuZn) Ni plated
- Item ② Terminal screw: Steel Zinc plating "-" slot type
- Item ③ Female contact: PhBz, Au plated.
- Item ④ Terminal(housing): Thermoplastic (UL94V-0)

Electrical cULus

- Voltage rating: 300VAC
- Current rating: 10A
- Wire range:
- Solid wire(AWG): 16-22
- Stranded wire(AWG): 16-22
- Torque(Lb-In): 1.7
- Screw: M3
- Wire strip length: 5-6mm
- Withstanding Voltage: 1.6KV
- Operating temperature: -40°C to +115°C
- Safety approval: cULus

N = Number of poles
 Dim A=Nx5.0
 Dim B=(N-1)x5.0

| poles | Dim A | Dim B |
|--------|-------|-------|
| 2-6p | ±0.15 | ±0.10 |
| 7-12p | ±0.25 | ±0.15 |
| 13-18p | ±0.30 | ±0.20 |
| 19-24p | ±0.40 | ±0.30 |

PART NO.: TT xx 01 x 0 00J0 G

| | End Stackable | Body Color | RoHS compliant |
|-----|---------------|---------------------|-----------------|
| 0 | 0 | Black (RAL9005) | (lead<4%) |
| 2 | 2 | Red (RAL3001/D) | In copper Alloy |
| 02 | 2 poles | 3 Orange(RAL2011/P) | |
| 03 | 3 poles | 4 Yellow(RAL1018/A) | |
| ... | ... | 5 Green(RAL6018/T) | |
| 24 | 24 poles | 6 Blue (RAL5015/A) | |
| | | 8 Grey(RAL7035/D) | |
| | | 9 White(RAL1102) | |
| | | C Green(RAL6018/U) | |

| | | | | | | | | | | | | | |
|-------------|--|----------------|--|----------------------|--|----------------------|--|---------------|--|---|--|----------------|--|
| mat'l. code | | | | surface ASME Y14.5 ✓ | | tolerance ASME Y14.5 | | projection | | product family | | | |
| ltr | | | | ecn no | | dr | | date | | tolerances unless otherwise specified | | TERMINAL BLOCK | |
| | | | | angles | | X.±0.5 | | MM | | title | | | |
| | | | | X'±1" | | X.X±0.3 | | scale | | TERMINAL BLOCK | | | |
| | | | | dr | | EVIN ZHONG 041614 | | FCI | | PLUGGABLE,180D WIRE INLET,END STACKABLE | | | |
| | | | | enr | | EVIN ZHONG 041614 | | dwg no | | sheet 1 of 1 | | size | |
| | | | | chr | | HANKE FENG 041614 | | TTxx01x000J0G | | | | A4 | |
| | | | | appd | | SHI JUN 041614 | | type | | CUSTOMER Drawing | | | |
| sheet index | | revision sheet | | A | | 1 | | | | | | | |