



Chipsmall Limited consists of a professional team with an average of over 10 year of expertise in the distribution of electronic components. Based in Hongkong, we have already established firm and mutual-benefit business relationships with customers from,Europe,America and south Asia,supplying obsolete and hard-to-find components to meet their specific needs.

With the principle of “Quality Parts,Customers Priority,Honest Operation,and Considerate Service”,our business mainly focus on the distribution of electronic components. Line cards we deal with include Microchip,ALPS,ROHM,Xilinx,Pulse,ON,Everlight and Freescale. Main products comprise IC,Modules,Potentiometer,IC Socket,Relay,Connector.Our parts cover such applications as commercial,industrial, and automotives areas.

We are looking forward to setting up business relationship with you and hope to provide you with the best service and solution. Let us make a better world for our industry!



Contact us

Tel: +86-755-8981 8866 Fax: +86-755-8427 6832

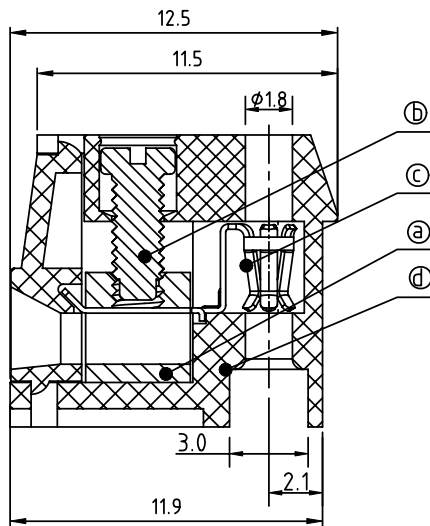
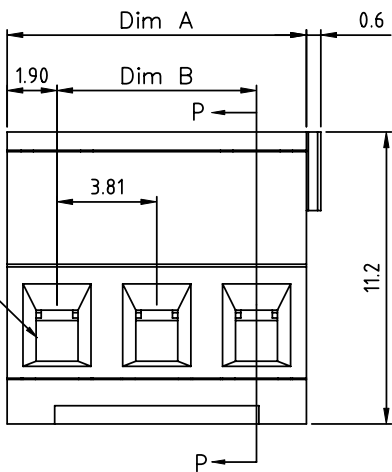
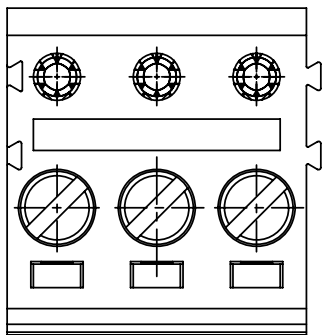
Email & Skype: info@chipsmall.com Web: www.chipsmall.com

Address: A1208, Overseas Decoration Building, #122 Zhenhua RD., Futian, Shenzhen, China





PRODUCT NUMBER	PITCH
TTxx41x000J0G	3.81 mm



Material

- Item (a) Clamp: Brass (CuZn) Ni plated
- Item (b) Terminal screw: Steel Zinc plating "-" slot type
- Item (c) Female contact: PhBz (CuSn) Tin plated
- Item (d) Terminal housing: Thermoplastic (UL94V-0)

Electrical cULus

- Voltage rating: 300V
- Current rating: 10A
- Wire range:
 - Solid wire (AWG): 16-28
 - Stranded wire (AWG): 16-28
- Torque: 1.7Lb-In
- Screw: M2
- Wire strip length: 5-6mm
- Withstanding Voltage: 1.6KV
- Operating temperature: -40°C to +115°C
- Safety approval: cULus

PART NO.: TT xx 41 x 0 00J0 G

N=Number of poles
 Dim A=NX3.81
 Dim B=(N-1)X3.81

poles	Tolerance
2P-6p	±0.15
7P-12p	±0.20
13P-18p	±0.30
19P-24p	±0.40

End Stackable	Body Color	RoHS compliant
0	Black (RAL9005)	(lead<4%)
2	Red (RAL3001/D)	In copper Alloy
3	Orange (RAL2011/P)	
4	Yellow (RAL1018/A)	
5	Green (RAL6018/T)	
6	Blue (RAL5015/A)	
8	Grey (RAL7035/D)	
9	White (RAL1102)	
C	Green (RAL6018/U)	

mat'l. code		surface ASME Y14.5	tolerance ASME Y14.5	projection	product family TERMINAL BLOCK
ltr	ecn no dr date	tolerances unless otherwise specified		 MM	title TERMINAL BLOCK PLUGGABLE, 180D WIRE INLET, END STACKABLE
		angles	X.±0.5 X.X±0.3 X.XX±0.1		
dr	EVIN ZHONG 041614				dwg no
enr	EVIN ZHONG 041614				sheet 1 of 1 size
chr	HANKE FENG 041614				TTxx41x000J0G
appd	SHI JUN 041614				A4
sheet index	revision sheet	A	1		type CUSTOMER Drawing