



Chipsmall Limited consists of a professional team with an average of over 10 year of expertise in the distribution of electronic components. Based in Hongkong, we have already established firm and mutual-benefit business relationships with customers from,Europe,America and south Asia,supplying obsolete and hard-to-find components to meet their specific needs.

With the principle of “Quality Parts,Customers Priority,Honest Operation,and Considerate Service”,our business mainly focus on the distribution of electronic components. Line cards we deal with include Microchip,ALPS,ROHM,Xilinx,Pulse,ON,Everlight and Freescale. Main products comprise IC,Modules,Potentiometer,IC Socket,Relay,Connector.Our parts cover such applications as commercial,industrial, and automotives areas.

We are looking forward to setting up business relationship with you and hope to provide you with the best service and solution. Let us make a better world for our industry!



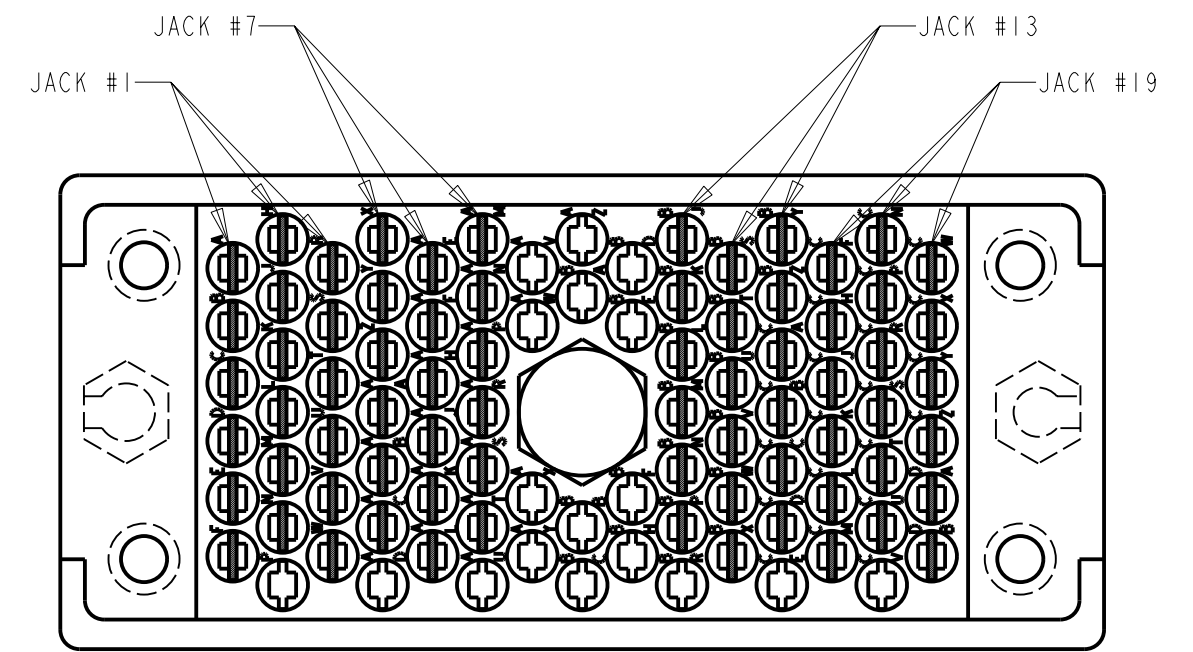
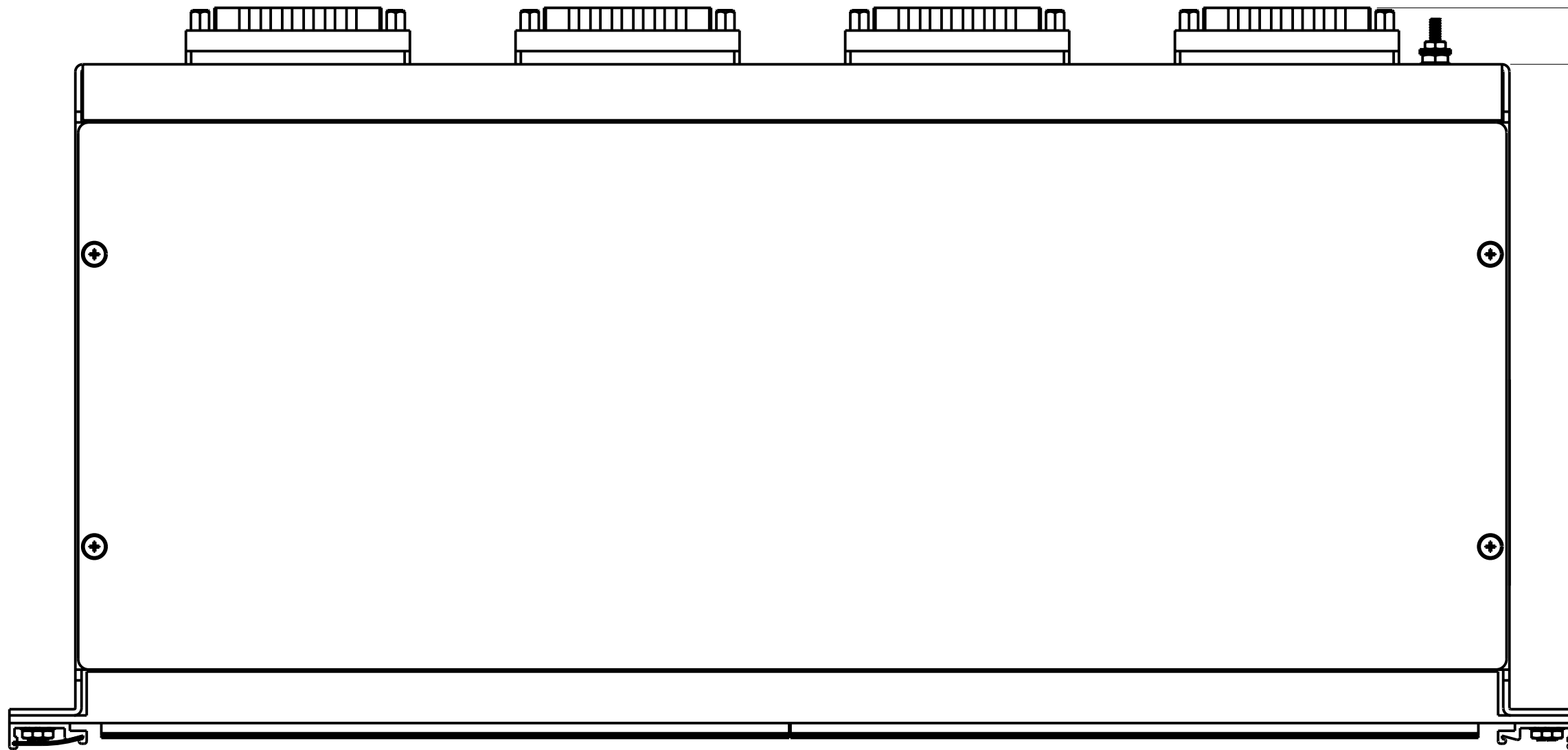
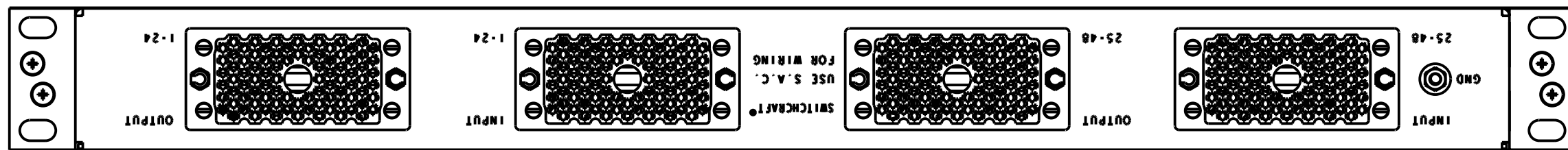
Contact us

Tel: +86-755-8981 8866 Fax: +86-755-8427 6832

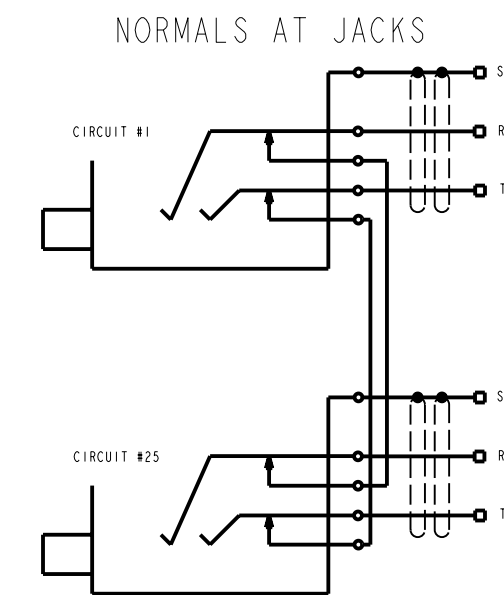
Email & Skype: info@chipsmall.com Web: www.chipsmall.com

Address: A1208, Overseas Decoration Building, #122 Zhenhua RD., Futian, Shenzhen, China

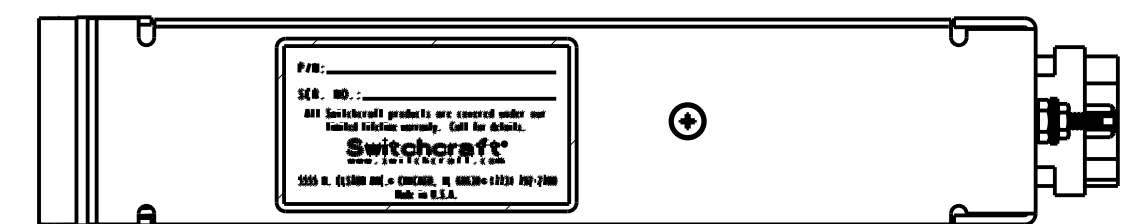
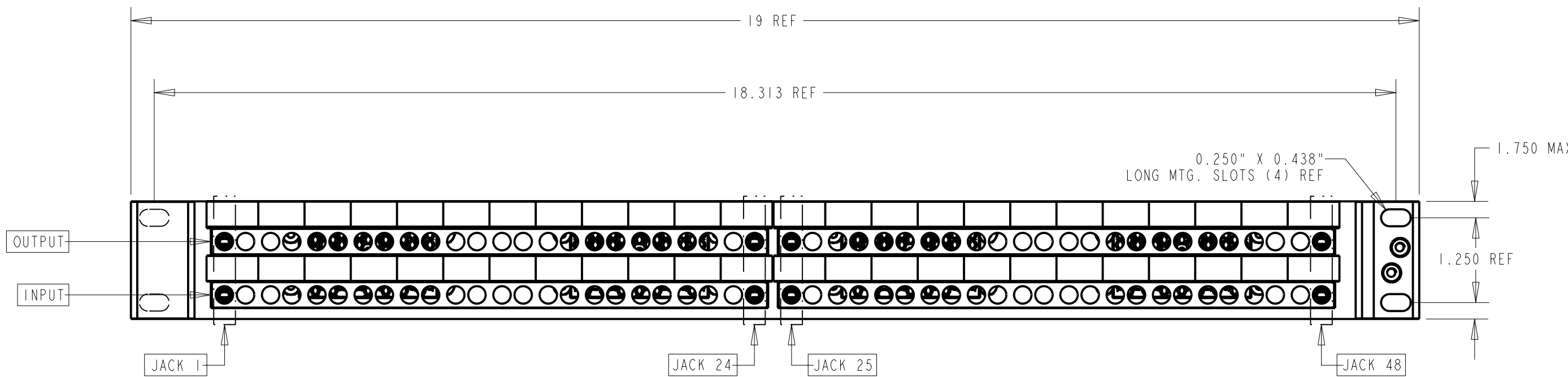




STANDARD AUDIO CONFIGURATION WIRING (S.A.C.)
WIRING VIEW
(NORMALS AT JACKS)



90 PIN CONNECTOR PIN-OUT			
JACK No.	TIP	RING	SLEEVE
1	A	H	R
JACKS #2 THRU #6 PATTERN CONTINUES TO F,N,W			
7	X	AE	AM
JACKS #8 THRU #12 PATTERN CONTINUES TO AC,AL,AT			
13	BJ	BS	BY
JACKS #14 THRU #18 PATTERN CONTINUES TO BP,BX,CD			
19	CF	CN	CW
JACKS #20 THRU #24 PATTERN CONTINUES TO CM,CU,DB			



MATERIAL:

JACKS
 Frame: Nickel-plated steel
 Bushing: Nickel-plated Brass
 Tip, Ring and Shunt Springs: Nickel-silver
 with welded contacts
 Assembly Screws: Zinc plated steel
 Welded Contacts: Gold alloy

PANEL
 Front Channel: Black anodized aluminum
 Frame & Cover: C.R.S. black epoxy painted
 Designation Strips: Black Polycarbonate, 94V-0
 Designation Strip Covers: Clear Polycarbonate
 Jack Inserts: Polyester

EDAC CONNECTOR
 Housing: Thermoplastic, UL94V-0 (part no's: 516-120-000-202)
 Contacts: Gold plated Phosphor Bronze

CUSTOMER DRAWING

REV	ECO NUMBER	DATE	BY	APVD
F	23184	5-10-00	JL	EB
E	22558	1-21-99	JL	JF
D	22477	8-5-98	SG	ELB
C	22108	1-21-98	RC	JF
B	ECO #21963	9-8-97	SG	SC
A	REL. TO PROD. ECO #21942	8-22-97	SG	SC

★ STAR SYMBOL DENOTES CRITICAL DIMENSION
 UNLESS OTHERWISE SPECIFIED
 1. ALL DIMENSIONS IN INCHES
 - TWO PLACE DECIMALS ±0.01
 - THREE PLACE DECIMALS ±0.005
 - ANGLES ±1°
 - ALL DIA. CONCENTRIC WITHIN 0.005 T.I.R.
 2. FEATURES ON THE SAME CENTERLINE
 MUST BE ALIGNED WITHIN ±0.002
 3. REMOVE ALL BURRS
 DO NOT SCALE DRAWING

THIS DRAWING DESCRIBES A DESIGN CONSIDERED PROPRIETARY IN NATURE, DEVELOPED AND MANUFACTURED BY SWITCHCRAFT INC. AND IS RELEASED ON A CONFIDENTIAL BASIS FOR IDENTIFICATION PURPOSES ONLY.				
SIZE	WIDTH	MULT	LBS/M	TEMPER
FINISH		MATERIAL		
SPEC No.		SPEC No.		
FIRST USED ON		SCALE		
		5:8		
DATE DRAWN	BY	CHKD	APVD	
3-19-97	SG	3-19-97	JF	
NAME				REV
JACKFIELD				F
PART No.			REV	
TT96EDACNS			F	