



Chipsmall Limited consists of a professional team with an average of over 10 year of expertise in the distribution of electronic components. Based in Hongkong, we have already established firm and mutual-benefit business relationships with customers from,Europe,America and south Asia,supplying obsolete and hard-to-find components to meet their specific needs.

With the principle of “Quality Parts,Customers Priority,Honest Operation,and Considerate Service”,our business mainly focus on the distribution of electronic components. Line cards we deal with include Microchip,ALPS,ROHM,Xilinx,Pulse,ON,Everlight and Freescale. Main products comprise IC,Modules,Potentiometer,IC Socket,Relay,Connector.Our parts cover such applications as commercial,industrial, and automotives areas.

We are looking forward to setting up business relationship with you and hope to provide you with the best service and solution. Let us make a better world for our industry!



## Contact us

Tel: +86-755-8981 8866 Fax: +86-755-8427 6832

Email & Skype: info@chipsmall.com Web: www.chipsmall.com

Address: A1208, Overseas Decoration Building, #122 Zhenhua RD., Futian, Shenzhen, China



REVISION -  
01/08/92 YN

REVISION A  
TEMECULA  
WAS CARSON  
REFORMATTED  
05/24/95 TS

REVISION B  
NEW FORMAT  
06/09/97 TS

UL AND CSA HYBRID 600 Ω :600 Ω OADC TRANSFORMER

A. Electrical Specifications (@ 25 ° C)

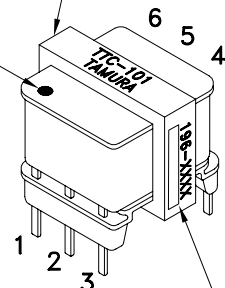
1. Pri Source Impedance; 600 Ω
2. Sec Load Impedance; 600 Ω /600 Ω
3. Operating Level; -45 dBm to +7 dBm
4. Insertion Loss; 1.2 dB MAX @ 1 KHz, 0 dBm
5. Frequency Response (relative to 1 KHz); ±0.5 dB @ 300 Hz to 3.5 KHz, 0 dBm
6. Pri Impedance; 600 Ω ±10% @ 300 Hz to 3.5 KHz, 0 dBm
7. Pri Return Loss; 26 dB MIN @ (ERL measurement)
8. Longitudinal Balance; 60 dB MIN @ 200 Hz to 4 KHz
9. Total Harmonic Distortion; 0.5% MAX @ 300 Hz to 3.5 KHz, 0 dBm
10. DC Resistance;
  - (1-6) = 47 Ω ±20%
  - (3-4) = 35 Ω ±20%
  - (2-5) = 35 Ω ±20%
11. Turns Ratio;
  - (1-6) : (3-4) = 1 : 0.741 ±2%
  - (1-6) : (2-5) = 1 : 0.741 ±2%
12. Dielectric Strength;
  - 1500 Vrms, 1 minute @ Pri to Sec, Pri to Core
  - 1000 Vrms, 1 minute @ Sec to Core
  - 150 Vrms, 1 minute @ Sec to Sec

SAFETY APPROVAL LOGOS



MODEL NUMBER  
**TTC-101**

Red Dot PIN 1



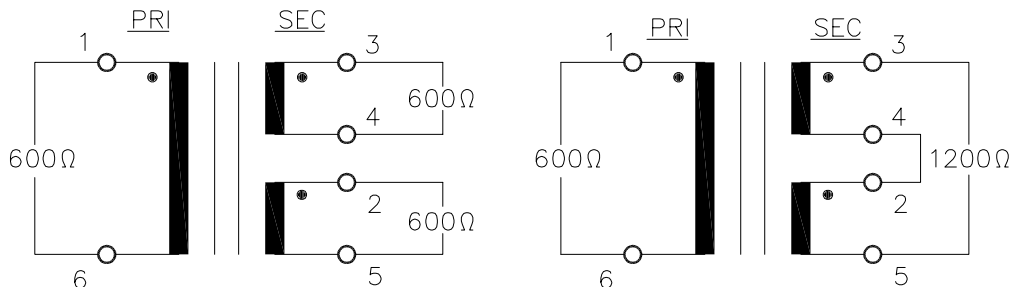
B. Marking; TTC-101, TAMURA, date code and country of origin

C. Safety: CSA C22.2 No. 66-M1988 File No. LR81383

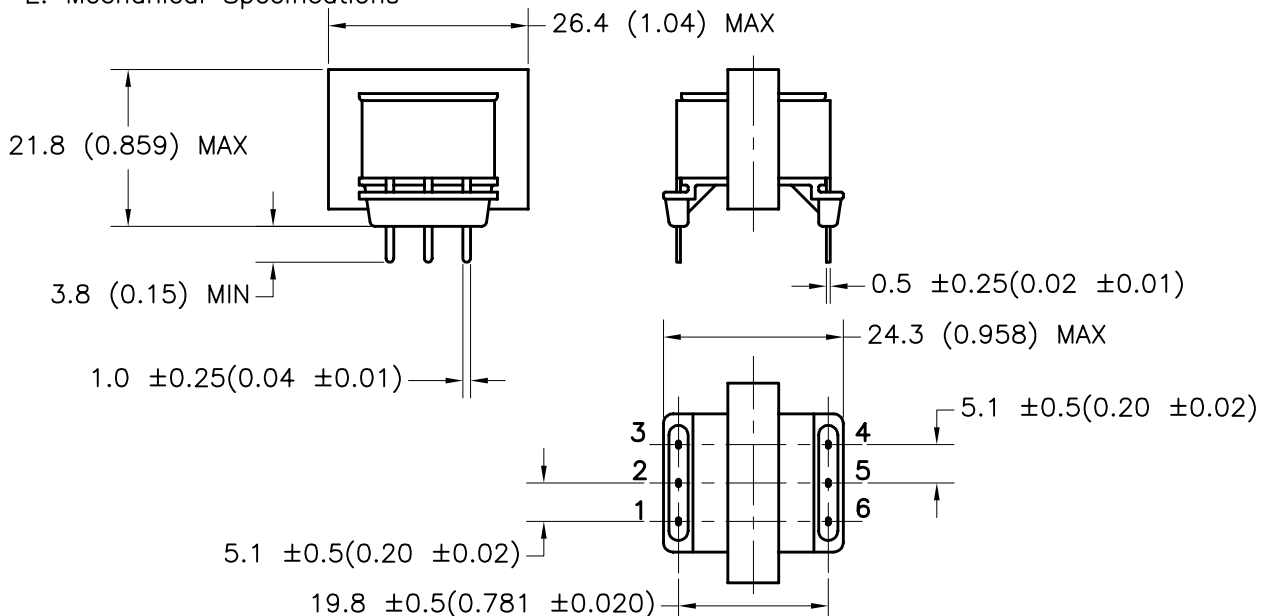
UL 1863 File No. E142035

Date code and country of origin

D. Schematic Diagram



E. Mechanical Specifications



PREPARED BY:

K. BRENNAN

ENGINEER:

T. SHIOZAWA

QUALITY CONTROL:

D. KELLEY

APPROVED:

D. SUZUKI

DRAWING CONTROL NO. P-A1-10342  
ACAD\TTC\A1103421.DWG

REV B

MODEL DESCRIPTION  
TELECOMMUNICATION COUPLING  
TRANSFORMER

MODEL SPECIFICATION  
**TTC-101**

CONTENTS OF THIS DRAWING ARE SUBJECT TO CHANGE WITHOUT PRIOR NOTICE

**TAMURA CORPORATION OF AMERICA**  
43352 BUSINESS PARK DRIVE, TEMECULA, CA. 92590-6624  
(909) 699-1270 FAX 9096769482

DIM: mm(in) SCL: 1/1 SH: 1 OF 1

PROPRIETARY NOTICE: THIS DRAWING PRINT OR DOCUMENT AND SUBJECT MATTER DISCLOSED HEREIN ARE PROPRIETARY ITEMS TO WHICH TAMURA RETAINS THE EXCLUSIVE RIGHT OF DISSEMINATION, REPRODUCTION, MANUFACTURE AND SALE. THIS DRAWING, PRINT OR DOCUMENT IS SUBMITTED IN CONFIDENCE FOR CONSIDERATION BY THE RECIPIENT ALONE UNLESS PERMISSION FOR FURTHER DISCLOSURE IS EXPRESSLY GRANTED IN WRITING.

# Mouser Electronics

Authorized Distributor

Click to View Pricing, Inventory, Delivery & Lifecycle Information:

[Tamura:](#)

[TTC-101](#)