



Chipsmall Limited consists of a professional team with an average of over 10 year of expertise in the distribution of electronic components. Based in Hongkong, we have already established firm and mutual-benefit business relationships with customers from,Europe,America and south Asia,supplying obsolete and hard-to-find components to meet their specific needs.

With the principle of “Quality Parts,Customers Priority,Honest Operation,and Considerate Service”,our business mainly focus on the distribution of electronic components. Line cards we deal with include Microchip,ALPS,ROHM,Xilinx,Pulse,ON,Everlight and Freescale. Main products comprise IC,Modules,Potentiometer,IC Socket,Relay,Connector.Our parts cover such applications as commercial,industrial, and automotives areas.

We are looking forward to setting up business relationship with you and hope to provide you with the best service and solution. Let us make a better world for our industry!



## Contact us

Tel: +86-755-8981 8866 Fax: +86-755-8427 6832

Email & Skype: info@chipsmall.com Web: www.chipsmall.com

Address: A1208, Overseas Decoration Building, #122 Zhenhua RD., Futian, Shenzhen, China





# FCC68 TELECOMMUNICATIONS COUPLING TRANSFORMER 600:600CT



MODEL NUMBER  
**TTC-105-1**

## REV. Status

REVISION - 08/18/95 TS
REVISION A REV DIM 4.75 WAS 9.5 ADDED DIMS 4.75 11/8/95 TS
REVISION B NEW FORMAT 07/08/98 TS
REVISION C ADDED RoHS. UL1459 WAS UL1863 10/17/06 MP

### A. Electrical Specifications (@ 25°C)

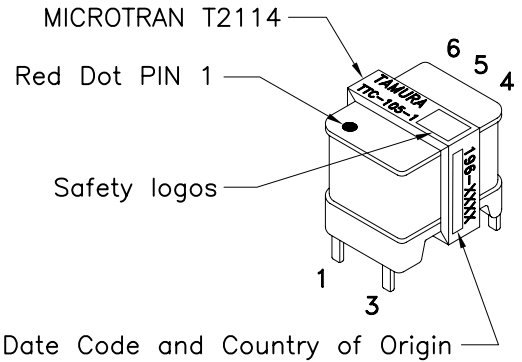
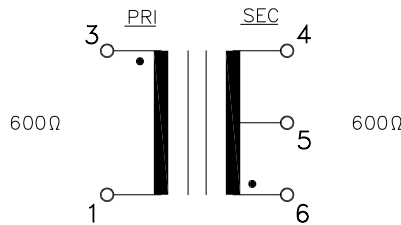
- Pri. Source Impedance; 600Ω
- Sec. Load Impedance; 600Ω
- Pri. DC Current; 90mA max (1-3)
- Operating Level; -45dBm to +10dBm
- Insertion Loss;
  - 3.0dB max @ 660 to 800Hz, 0dBm, DC90mA
  - 2.5dB max @ 800 to 3.5KHz, 0dBm, DC90mA
- Frequency Response;
  - +0.7dB, -1.0dB @ 660 to 800Hz, 0dBm, DC90mA (relative to 2KHz)
  - +0.7dB, -0.7dB @ 800 to 3.5KHz, 0dBm, DC90mA (relative to 2KHz)
- Longitudinal Balance; 60dB min @ 200 to 4KHz
- DC Resistance;
  - (1-3) = 71Ω ± 15%
  - (4-6) = 117Ω ± 15%
- Turns Ratio; (1-3) : (4-6) = 1 : 1.00 ± 2%
- Dielectric Strength;
  - 1500Vrms 1 minute @ Pri. to Sec. and Core
  - 1000Vrms 1 minute @ Sec. to Core



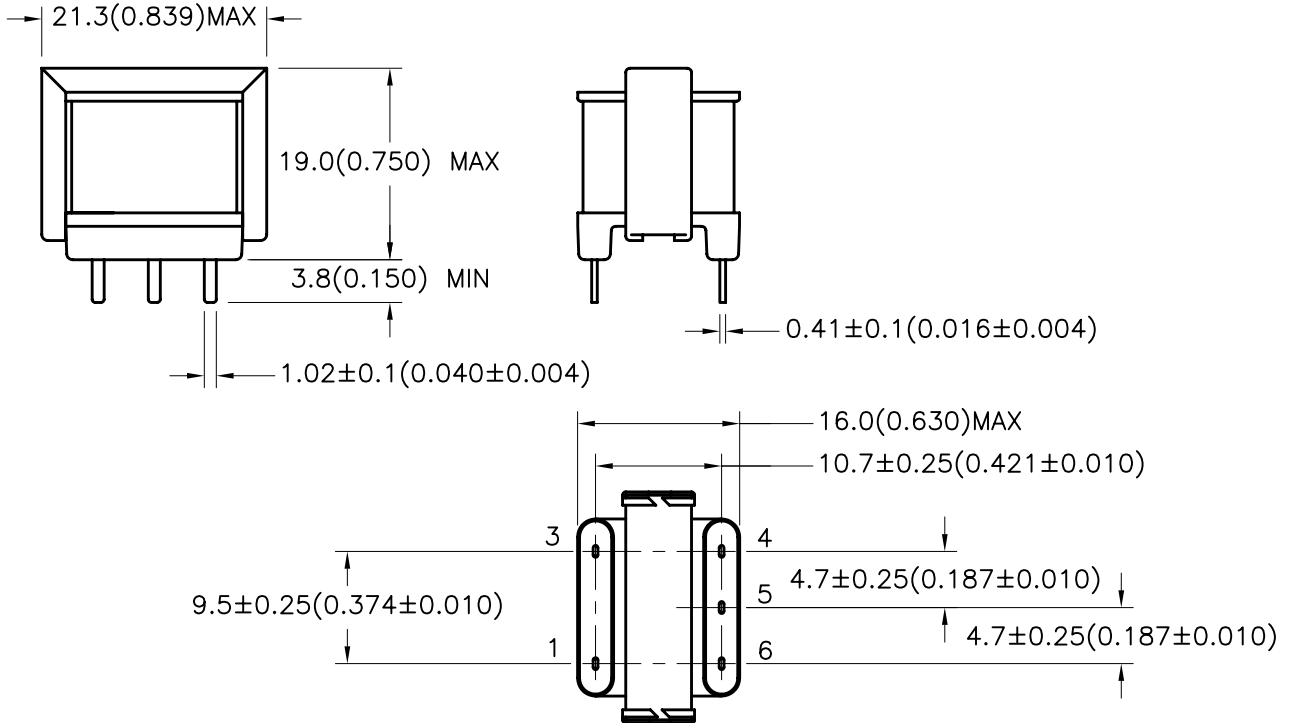
B. Marking; TTC-105-1, TAMURA, T2114, MICROTAN, date code and country of origin

C. Safety; CSA-C22.2 No. 66-M1988 File No. LR81383  
UL 1459 File No. E142035

### D. Schematic Diagram



### E. Mechanical Specifications



TOLERANCES (mm)	
≤ 4	± 0.2
4 ≤ 20	± 0.3
20 ≤ 50	± 0.4

PREPARED BY:

K. BRENNAN

ENGINEER:

M. PITCHAI

QUALITY CONTROL:

T. CLEM

APPROVED:

Y. SEKIGUCHI

DWG CONTROL NO. P-A1-11384  
ACAD\TTC\A113841.DWG

REV C

TELECOMMUNICATION COUPLING TRANSFORMER

**TAMURA CORPORATION OF AMERICA**  
43352 BUSINESS PARK DRIVE, TEMECULA, CA. 92590-6624  
(951) 699-1270 FAX 9516769482

# TTC-105-1

MODEL SPECIFICATION

DIM: mm [In] SCL: 1/1 SH: 1 OF 1

PROPRIETARY NOTICE: THIS DRAWING PRINT OR DOCUMENT AND SUBJECT MATTER DISCLOSED HEREIN ARE PROPRIETARY ITEMS TO WHICH TAMURA RETAINS THE EXCLUSIVE RIGHT OF DISSEMINATION, REPRODUCTION, MANUFACTURE AND SALE. THIS DRAWING, PRINT OR DOCUMENT IS SUBMITTED IN CONFIDENCE FOR CONSIDERATION BY THE RECIPIENT ALONE UNLESS PERMISSION FOR FURTHER DISCLOSURE IS EXPRESSLY GRANTED IN WRITING.