



Chipsmall Limited consists of a professional team with an average of over 10 year of expertise in the distribution of electronic components. Based in Hongkong, we have already established firm and mutual-benefit business relationships with customers from,Europe,America and south Asia,supplying obsolete and hard-to-find components to meet their specific needs.

With the principle of “Quality Parts,Customers Priority,Honest Operation,and Considerate Service”,our business mainly focus on the distribution of electronic components. Line cards we deal with include Microchip,ALPS,ROHM,Xilinx,Pulse,ON,Everlight and Freescale. Main products comprise IC,Modules,Potentiometer,IC Socket,Relay,Connector.Our parts cover such applications as commercial,industrial, and automotives areas.

We are looking forward to setting up business relationship with you and hope to provide you with the best service and solution. Let us make a better world for our industry!



## Contact us

Tel: +86-755-8981 8866 Fax: +86-755-8427 6832

Email & Skype: info@chipsmall.com Web: www.chipsmall.com

Address: A1208, Overseas Decoration Building, #122 Zhenhua RD., Futian, Shenzhen, China



REV. Status

REVISION -  
03/24/92 HA

REVISION A  
REV DIMS  
16.7(0.66)MAX  
-WAS-  
16.8(0.66)MAX  
41.9(1.65)MAX  
-WAS-  
42.0(1.65)MAX  
19.05±0.5  
(0.75±0.02)  
-WAS-  
6.35±0.5  
(0.25±0.02)  
TEMECULA  
WAS CARSON  
04/26/96 TS

REVISION B  
REV'D POLARITY  
ON SCHEMATIC  
12/19/96 TS

FCC68 LOW PROFILE HIGH PERFORMANCE 1.44 HOLDING COIL TRANSFORMER

A. Electrical Specifications (@ 25 ° C)

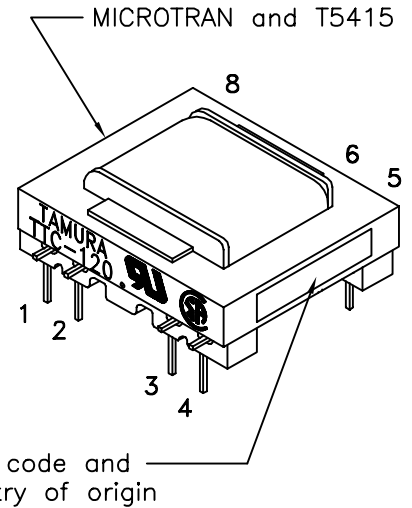
- DC Resistance; 180Ω ±15%
- Inductance; 1.4 Hy ±20% @ 1 KHz, 1 Vrms and 120mADC
- Dielectric Strength; 1.5 KVrms, 1 minute @ winding to core  
150 Vrms, 1 minute @ winding to winding



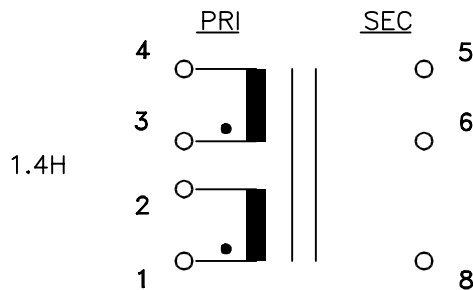
MODEL NUMBER  
TTC-120

B. Marking; TTC-120, TAMURA, T5415, MICROTRAN, date code, country of origin and safety logos

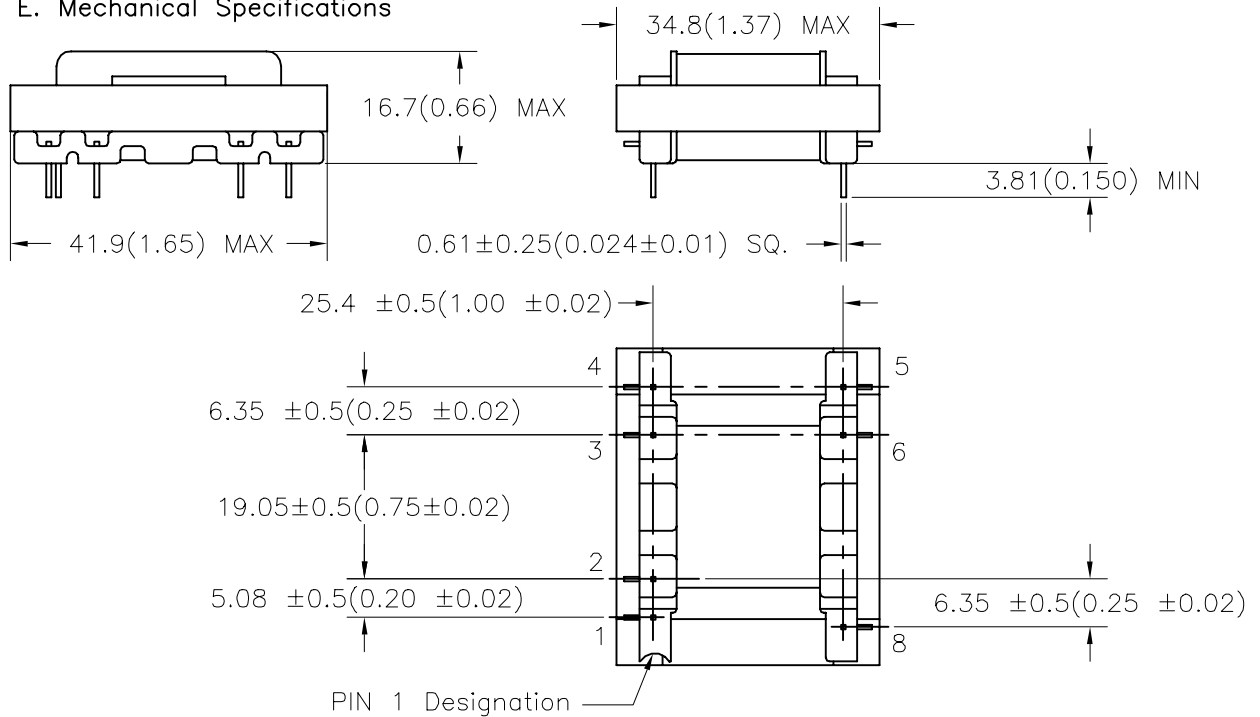
C. Safety; CSA C22.2 No. 66-M1988 File No. LR81383  
UL 1863 File No. E142035



D. Schematic Diagram



E. Mechanical Specifications



PREPARED BY:

K. Brennan

ENGINEER:

T. Shiozawa

QUALITY CONTROL:

D. Kelley

APPROVED:

D. Kelley

DWG CONTROL NO.  
P-A1-10612  
ACAD\TTC\A1106121.DWG

REV  
B

HOLDING COIL  
TRANSFORMER

**TAMURA CORPORATION OF AMERICA**  
43352 BUSINESS PARK DRIVE, TEMECULA, CA. 92590-6624  
(909) 699-1270 FAX 9096769482

TTC-120

MODEL SPECIFICATION

DIM: mm(In) SCL: 1/1 SH: 1 OF 1

PROPRIETARY NOTICE: THIS DRAWING PRINT OR DOCUMENT AND SUBJECT MATTER DISCLOSED HEREIN ARE PROPRIETARY ITEMS TO WHICH TAMURA RETAINS THE EXCLUSIVE RIGHT OF DISSEMINATION, REPRODUCTION, MANUFACTURE AND SALE. THIS DRAWING, PRINT OR DOCUMENT IS SUBMITTED IN CONFIDENCE FOR CONSIDERATION BY THE RECIPIENT ALONE UNLESS PERMISSION FOR FURTHER DISCLOSURE IS EXPRESSLY GRANTED IN WRITING.