



Chipsmall Limited consists of a professional team with an average of over 10 year of expertise in the distribution of electronic components. Based in Hongkong, we have already established firm and mutual-benefit business relationships with customers from,Europe,America and south Asia,supplying obsolete and hard-to-find components to meet their specific needs.

With the principle of "Quality Parts,Customers Priority,Honest Operation,and Considerate Service",our business mainly focus on the distribution of electronic components. Line cards we deal with include Microchip,ALPS,ROHM,Xilinx,Pulse,ON,Everlight and Freescale. Main products comprise IC,Modules,Potentiometer,IC Socket,Relay,Connector.Our parts cover such applications as commercial,industrial, and automotives areas.

We are looking forward to setting up business relationship with you and hope to provide you with the best service and solution. Let us make a better world for our industry!



Contact us

Tel: +86-755-8981 8866 Fax: +86-755-8427 6832

Email & Skype: info@chipsmall.com Web: www.chipsmall.com

Address: A1208, Overseas Decoration Building, #122 Zhenhua RD., Futian, Shenzhen, China



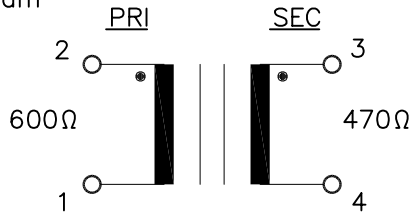


REV. Status

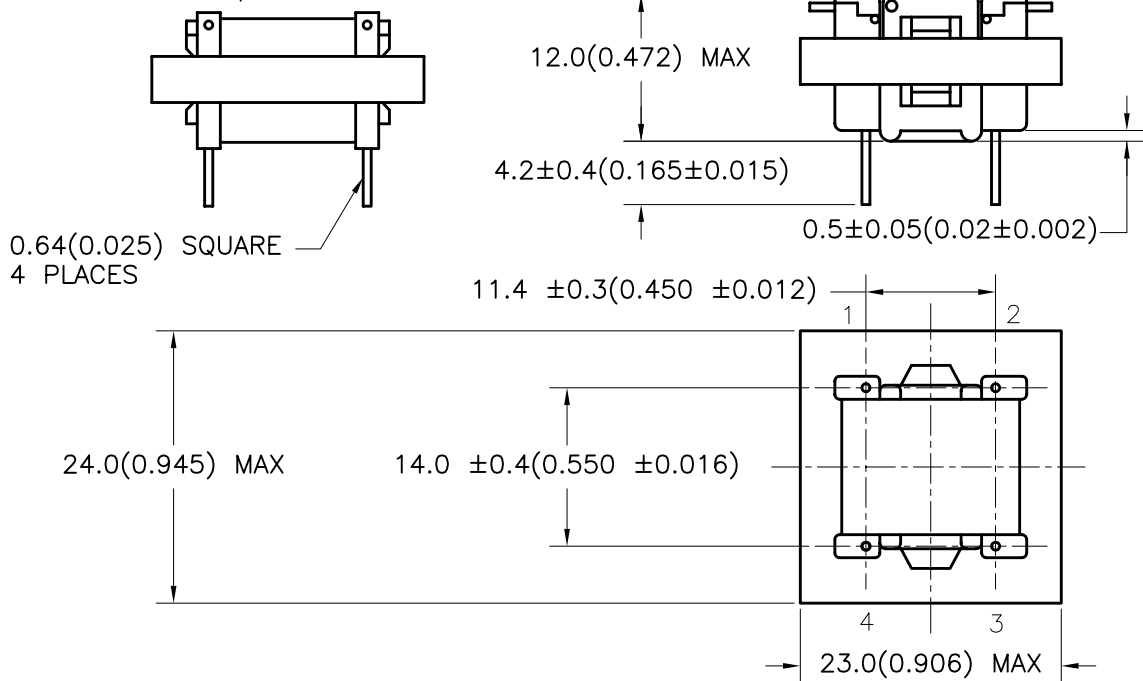
REVISION - 09/19/91 HA
REV MARKING LOCATION 6/16/92 TS
REVISION C ADDED SAFETY NOTE 7/30/92 TS
REVISION D TEMECULA -WAS- CARSON 1/13/93 TS
REVISION E ADDED DIM 4.2±0.4 (0.165±0.015) 3/19/93 TS
REVISION F ADDED DIM 0.64(0.025) SQUARE TYPICAL 4 PLACES. DC RES (1-2) -WAS- 95Ω ±10%. 3/26/93 TS
REVISION G REV LABEL ADDED TM105 AND MICROTRAN 06/26/96 TS
REVISION H ADDED STANDOFF DIM 0.5(.02) 02/12/97 TS
REVISION J ADDED RoHS. UL1459 WAS UL1863. NOTE 10, 1200Vrms WAS 1250Vrms 01/17/07 MP

TELECOMMUNICATION WET COUPLING TRANSFORMER DESIGNED TO OPERATE FROM -20dBm TO +4dBm WITH 0 TO 100 mADC IN PRIMARY AND REFLECT A PRIMARY SOURCE IMPEDANCE OF APPROX. 600Ω WITH 470Ω TO 600Ω LOAD ON SECONDARY:

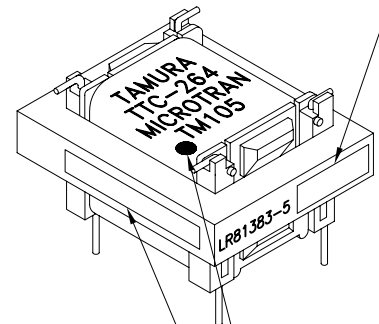
- A. Electrical Specifications (@ 25 ° C)
- Pri Source Impedance; 600Ω
 - Sec Load Impedance; 470Ω
 - Operating Level; -20 dBm to +4 dBm
 - Insertion Loss; 2.5 dBMAX @ 1KHz, 0dBm, DC 30mA
 - Frequency Response (relative to 1 KHz) ±4.0 dB 300 Hz to 600 Hz @ 0 dBm ±1.0 dB 600 Hz to 3.5 KHz @ 0 dBm
 - Longitudinal Balance; 60 dB MIN @ 60 Hz to 1 KHz 46 dB MIN @ 1 KHz to 4 KHz
 - DC Resistance; (1-2)= 108Ω +10%, -20% (3-4)= 120Ω ±10%
 - Turns Ratio; (1-2) : (4-3) = 1 : 1.00 ±2%
 - Dielectric Strength; 1500 Vrms 1 minute @ Pri to Sec, Pri to Core 1200 Vrms 1 minute @ Sec to Core
 - Total Harmonic Distortion: 0.5% MAX @ 300 Hz to 3.5 KHz, 0 dBm, DC0mA
- B. Marking; TTC-264, TAMURA, TM105, MICROTRAN, date code and country of origin
- C. Safety: CSA C22.2 No. 66-M1988 File No. LR81383 UL 1459 File No. E142035
- D. Schematic Diagram



E. Mechanical Specifications



SAFETY APPROVAL LOGOS



DATE CODE AND COUNTRY OF ORIGIN

DOT ON LABEL DESIGNATES PIN 1

MODEL NUMBER

TTC-264

PREPARED BY:

K. BRENNAN

ENGINEER:

M. PITCHAI

QUALITY CONTROL:

T. CLEM

APPROVED:

Y. SEKIGUCHI

DWG CONTROL NO. P-A1-10434
ACAD\TTC\A1104341.DWG

REV J

TELECOMMUNICATION COUPLING TRANSFORMER

TAMURA CORPORATION OF AMERICA
43352 BUSINESS PARK DRIVE, TEMECULA, CA. 92590-6624
(951) 699-1270 FAX 9516769482

TTC-264

MODEL SPECIFICATION

DIM: mm(In) SCL: 1/1 SH: 1 OF 1

PROPRIETARY NOTICE: THIS DRAWING PRINT OR DOCUMENT AND SUBJECT MATTER DISCLOSED HEREIN ARE PROPRIETARY ITEMS TO WHICH TAMURA RETAINS THE EXCLUSIVE RIGHT OF DISSEMINATION, REPRODUCTION, MANUFACTURE AND SALE. THIS DRAWING, PRINT OR DOCUMENT IS SUBMITTED IN CONFIDENCE FOR CONSIDERATION BY THE RECIPIENT ALONE UNLESS PERMISSION FOR FURTHER DISCLOSURE IS EXPRESSLY GRANTED IN WRITING.