



Chipsmall Limited consists of a professional team with an average of over 10 year of expertise in the distribution of electronic components. Based in Hongkong, we have already established firm and mutual-benefit business relationships with customers from,Europe,America and south Asia,supplying obsolete and hard-to-find components to meet their specific needs.

With the principle of "Quality Parts,Customers Priority,Honest Operation,and Considerate Service",our business mainly focus on the distribution of electronic components. Line cards we deal with include Microchip,ALPS,ROHM,Xilinx,Pulse,ON,Everlight and Freescale. Main products comprise IC,Modules,Potentiometer,IC Socket,Relay,Connector.Our parts cover such applications as commercial,industrial, and automotives areas.

We are looking forward to setting up business relationship with you and hope to provide you with the best service and solution. Let us make a better world for our industry!



Contact us

Tel: +86-755-8981 8866 Fax: +86-755-8427 6832

Email & Skype: info@chipsmall.com Web: www.chipsmall.com

Address: A1208, Overseas Decoration Building, #122 Zhenhua RD., Futian, Shenzhen, China





TELECOMMUNICATION MODEM TRANSFORMER COMPATIBLE WITH V.90 TECHNOLOGIES

REV. Status

REVISION - 12/13/01 MP

REVISION A ADDED RoHS. UL LOGO 12/12/12 MP

A. Electrical Specifications (@ 25° C)

1. Primary Impedance; 600Ω
2. Secondary Impedance; 600Ω
3. Insertion Loss: 1.50dB MAX @ 1KHz, 0dBm
4. Frequency Response; ±0.5dB @ 200Hz to 4KHz, 0dBm
5. Longitudinal Balance; 60dB MIN @ 60Hz to 4KHz, 0dBm
6. Return Loss; 14dB MIN @ 200Hz to 4KHz, 0dBm
7. DC Resistance;
 - (1-3) : 59.0Ω ±15%
 - (4-6) : 59.0Ω ±15%
8. Turns Ratio; (1-3):(6-4)=1:1.00±2%
9. Total Harmonic Distortion;
 - 78dB MAX @ 600Hz, -10dBm (-82dB TYP)
10. Dielectric Strength; 1875Vrms 1 second, Pri to Sec

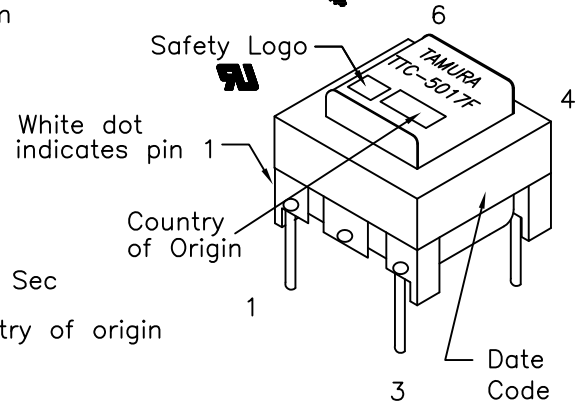
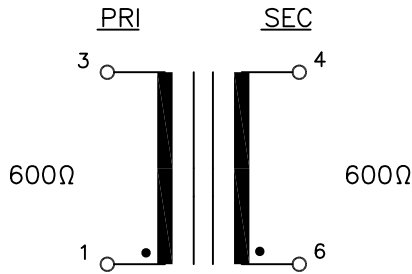


MODEL NUMBER
TTC-5017

B. Marking; TTC-5017F, TAMURA, date code and country of origin "F" designates UL approved family classification

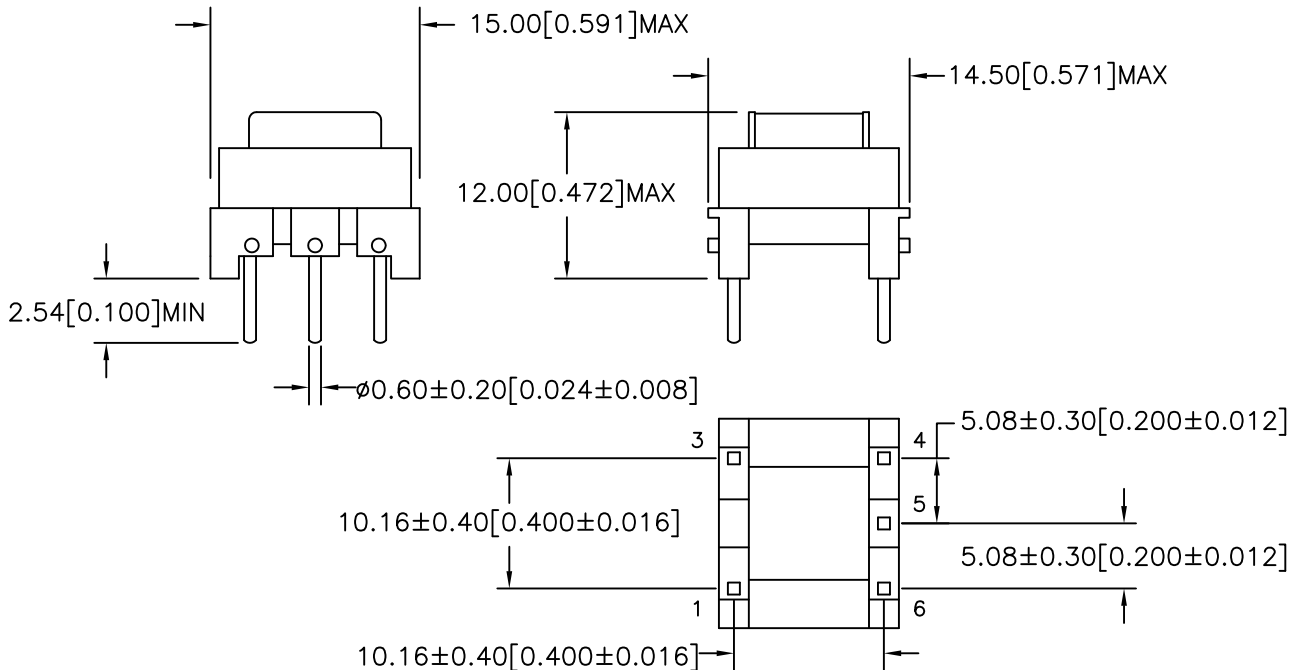
C. Safety; UL60950 3rd Edition

D. Schematic;



UL# E208555

E. Mechanical Specifications;



PREPARED BY:

MATHI PITCHAI

ENGINEER:

MATHI PITCHAI

SAFETY ENGINEER

B. OCONNELL

APPROVED:

P. BRUNE

DWG CONTROL NO. P-A1-12557
 ACAD\TTC\A112557 REV-A.DWG
 REV A

TELECOMMUNICATION V.90
 MODEM TRANSFORMER

TAMURA CORPORATION OF AMERICA
 1040 SOUTH ANDREASEN DRIVE, #100, ESCONDIDO, CA 92029
 (951) 699-1270 FAX 9516769482

TTC-5017
 MODEL SPECIFICATION
 DIM: mm[In] SCL: 1/1 SH: 1 OF 1

PROPRIETARY NOTICE: THIS DRAWING PRINT OR DOCUMENT AND SUBJECT MATTER DISCLOSED HEREIN ARE PROPRIETARY ITEMS TO WHICH TAMURA RETAINS THE EXCLUSIVE RIGHT OF DISSEMINATION, REPRODUCTION, MANUFACTURE AND SALE. THIS DRAWING, PRINT OR DOCUMENT IS SUBMITTED IN CONFIDENCE FOR CONSIDERATION BY THE RECIPIENT ALONE UNLESS PERMISSION FOR FURTHER DISCLOSURE IS EXPRESSLY GRANTED IN WRITING.