



Chipsmall Limited consists of a professional team with an average of over 10 year of expertise in the distribution of electronic components. Based in Hongkong, we have already established firm and mutual-benefit business relationships with customers from,Europe,America and south Asia,supplying obsolete and hard-to-find components to meet their specific needs.

With the principle of “Quality Parts,Customers Priority,Honest Operation,and Considerate Service”,our business mainly focus on the distribution of electronic components. Line cards we deal with include Microchip,ALPS,ROHM,Xilinx,Pulse,ON,Everlight and Freescale. Main products comprise IC,Modules,Potentiometer,IC Socket,Relay,Connector.Our parts cover such applications as commercial,industrial, and automotives areas.

We are looking forward to setting up business relationship with you and hope to provide you with the best service and solution. Let us make a better world for our industry!



## Contact us

Tel: +86-755-8981 8866 Fax: +86-755-8427 6832

Email & Skype: info@chipsmall.com Web: www.chipsmall.com

Address: A1208, Overseas Decoration Building, #122 Zhenhua RD., Futian, Shenzhen, China



REV. Status

REVISION -  
09/28/00 MP

REVISION A  
REVISED MARKING  
& TOLERANCE  
ON PINS  
04/14/05 MP

TELECOMMUNICATION MODEM COUPLING TRANSFORMER FOR WET APPLICATION

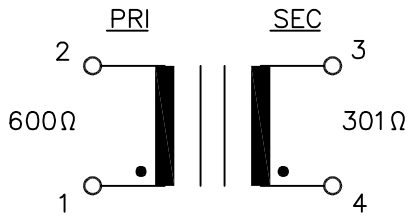
A. Electrical Specifications (@ 25°C)

1. Pri Source Impedance; 600Ω
2. Sec Load Impedance; 301Ω
3. Operating Level; -20dBm to +4dBm
4. Insertion Loss;  
3.75dB MAX @ 1KHz, 0dBm, DC 65mA
5. Frequency Response (relative to 1 KHz)  
±4.0dB @ 300Hz to 600Hz, 0dBm  
±1.0dB @ 600Hz to 3.5KHz, 0dBm
6. Longitudinal Balance;  
66dB MIN @ 60Hz to 1KHz  
46dB MIN @ 1KHz to 4KHz  
(Per FCC Part 68.310 with 4 grounded)
7. DC Resistance;  
(1-2)=152Ω ±15%  
(3-4)=152Ω ±15%
8. Turns Ratio; (1-2):(4-3) = 1:1.00±2%
9. Dielectric Strength;  
1875Vrms 1 second Pri to Sec

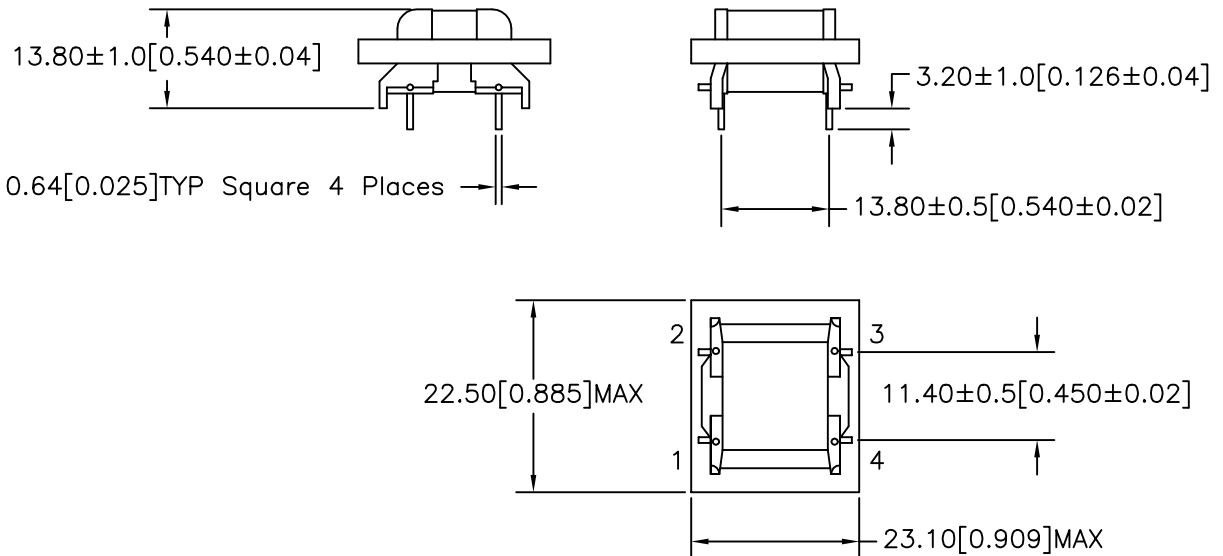
B. Marking; TTC-5020C, TAMURA, date code and country of origin  
"C" designates UL approved family classification

C. Safety: UL 1950 Third Edition, UL60950, EN60950

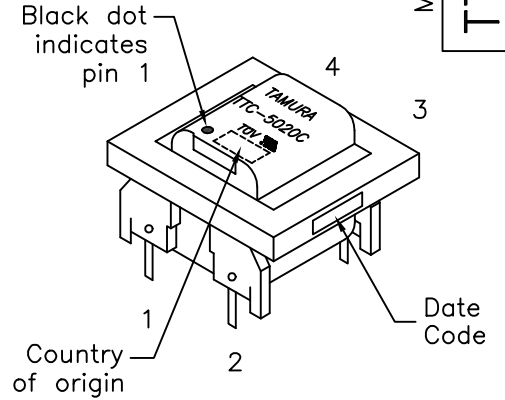
D. Schematic Diagram



E. Mechanical Specifications



  
UL# E208555



MODEL NUMBER  
**TTC-5020**

PREPARED BY:  
K. BRENNAN

ENGINEER:  
M. PITCHAI  
DWG CONTROL NO. P-A1-12509  
ACAD\TTC\A1125091.DWG  
REV A

MODEM COUPLING TRANSFORMER  
**TAMURA CORPORATION OF AMERICA**  
43352 BUSINESS PARK DRIVE, TEMECULA, CA. 92590-6624  
(909) 699-1270 FAX 9096769482

**TTC-5020**  
MODEL SPECIFICATION

QUALITY CONTROL:  
T. CLEM

CONTENTS OF THIS DRAWING ARE SUBJECT TO CHANGE WITHOUT PRIOR NOTICE

DIM: mm(In) SCL: 1/1 SH: 1 OF 1

APPROVED:  
Y. SEKIGUCHI

PROPRIETARY NOTICE: THIS DRAWING PRINT OR DOCUMENT AND SUBJECT MATTER DISCLOSED HEREIN ARE PROPRIETARY ITEMS TO WHICH TAMURA RETAINS THE EXCLUSIVE RIGHT OF DISSEMINATION, REPRODUCTION, MANUFACTURE AND SALE. THIS DRAWING, PRINT OR DOCUMENT IS SUBMITTED IN CONFIDENCE FOR CONSIDERATION BY THE RECIPIENT ALONE UNLESS PERMISSION FOR FURTHER DISCLOSURE IS EXPRESSLY GRANTED IN WRITING.