



Chipsmall Limited consists of a professional team with an average of over 10 year of expertise in the distribution of electronic components. Based in Hongkong, we have already established firm and mutual-benefit business relationships with customers from,Europe,America and south Asia,supplying obsolete and hard-to-find components to meet their specific needs.

With the principle of “Quality Parts,Customers Priority,Honest Operation,and Considerate Service”,our business mainly focus on the distribution of electronic components. Line cards we deal with include Microchip,ALPS,ROHM,Xilinx,Pulse,ON,Everlight and Freescale. Main products comprise IC,Modules,Potentiometer,IC Socket,Relay,Connector.Our parts cover such applications as commercial,industrial, and automotives areas.

We are looking forward to setting up business relationship with you and hope to provide you with the best service and solution. Let us make a better world for our industry!



Contact us

Tel: +86-755-8981 8866 Fax: +86-755-8427 6832

Email & Skype: info@chipsmall.com Web: www.chipsmall.com

Address: A1208, Overseas Decoration Building, #122 Zhenhua RD., Futian, Shenzhen, China



REV. Status

REVISION -
08/12/04 MP

REVISION A
ADDED "C"
CLASS TO
MARKING NOTE.
ADDED RoHS
05/16/06 MP

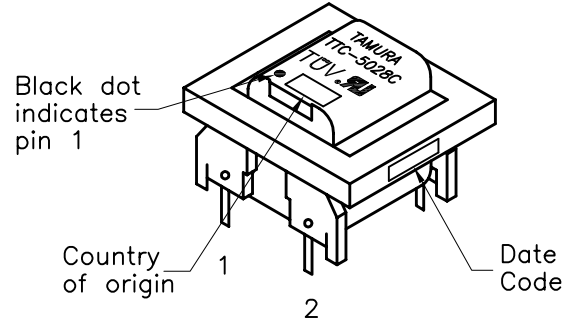
A. Electrical Specifications (@ 25 ° C)

1. Pri Source Impedance; 600Ω
2. Sec Load Impedance; 470Ω
3. Operating Level; -20dBm to +4dBm
4. Insertion Loss;
2.5dBMAX @ 1KHz, 0dBm, DC 30mA
5. Frequency Response (relative to 1 KHz)
±4.0dB 300Hz to 600Hz @ 0dBm
±1.0dB 600Hz to 3.5KHz @ 0dBm
6. Longitudinal Balance;
60dB MIN @ 60Hz to 1KHz
40dB MIN @ 1KHz to 4KHz
7. DC Resistance;
(1-2)= 92Ω ±10%
(3-4)= 120Ω ±10%
8. Turns Ratio; (1-2) : (4-3) = 1 : 1.00 ±2%
9. Dielectric Strength;
1875Vrms 1 second @ Pri to Sec
10. Total Harmonic Distortion:
0.5% MAX @ 300Hz to 3.5KHz, 0dBm, DC0mA



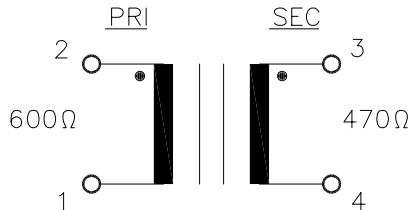
MODEL NUMBER
TTC-5028

B. Marking; TTC-5028C, TAMURA, date code and country of origin
"C" designates UL approved family classification.

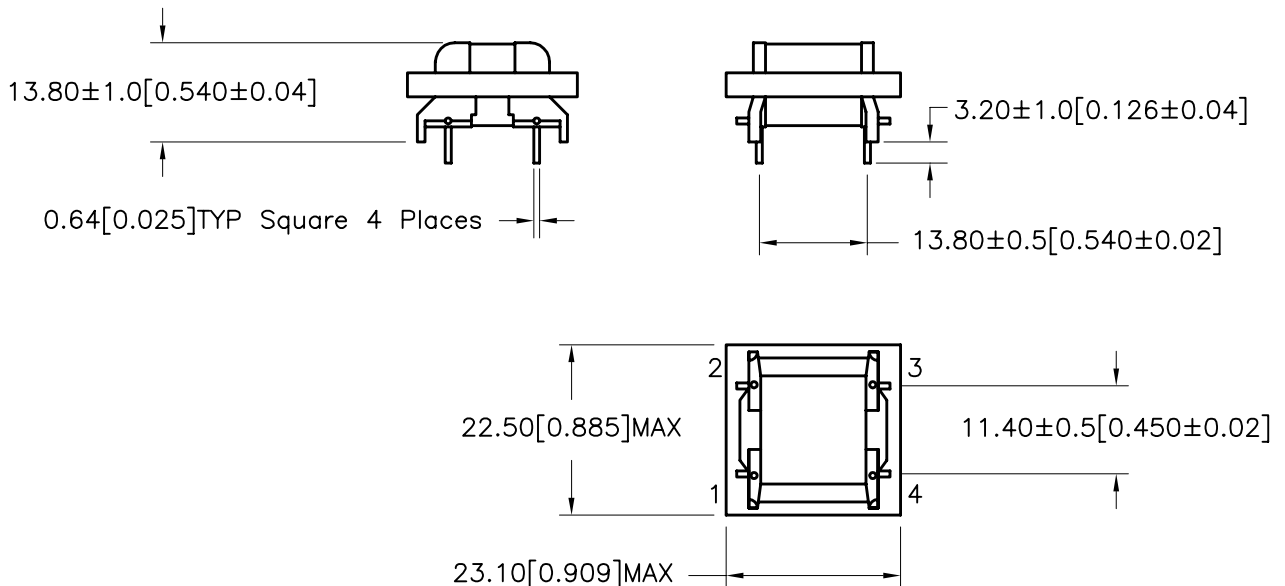


C. Safety; UL1950 3rd Edition, UL60950, EN60950

D. Schematic Diagram;



E. Mechanical Specifications;



PREPARED BY:

K. BRENNAN

ENGINEER:

M. PITCHAI

QUALITY CONTROL:

T. CLEM

APPROVED:

Y. SEKIGUCHI

DWG CONTROL NO.
P-A1-13246
ACAD\TTC\A1132461.DWG

REV
A

MODEM COUPLING
TRANSFORMER

TAMURA CORPORATION OF AMERICA
43352 BUSINESS PARK DRIVE, TEMECULA, CA. 92590-6624
(951) 699-1270 FAX 9516769482

TTC-5028

MODEL SPECIFICATION

DIM: mm [In] SCL: 1/1 SH: 1 OF 1

PROPRIETARY NOTICE: THIS DRAWING PRINT OR DOCUMENT AND SUBJECT MATTER DISCLOSED HEREIN ARE PROPRIETARY ITEMS TO WHICH TAMURA RETAINS THE EXCLUSIVE RIGHT OF DISSEMINATION, REPRODUCTION, MANUFACTURE AND SALE. THIS DRAWING, PRINT OR DOCUMENT IS SUBMITTED IN CONFIDENCE FOR CONSIDERATION BY THE RECIPIENT ALONE UNLESS PERMISSION FOR FURTHER DISCLOSURE IS EXPRESSLY GRANTED IN WRITING.