



Chipsmall Limited consists of a professional team with an average of over 10 year of expertise in the distribution of electronic components. Based in Hongkong, we have already established firm and mutual-benefit business relationships with customers from,Europe,America and south Asia,supplying obsolete and hard-to-find components to meet their specific needs.

With the principle of “Quality Parts,Customers Priority,Honest Operation,and Considerate Service”,our business mainly focus on the distribution of electronic components. Line cards we deal with include Microchip,ALPS,ROHM,Xilinx,Pulse,ON,Everlight and Freescale. Main products comprise IC,Modules,Potentiometer,IC Socket,Relay,Connector.Our parts cover such applications as commercial,industrial, and automotives areas.

We are looking forward to setting up business relationship with you and hope to provide you with the best service and solution. Let us make a better world for our industry!



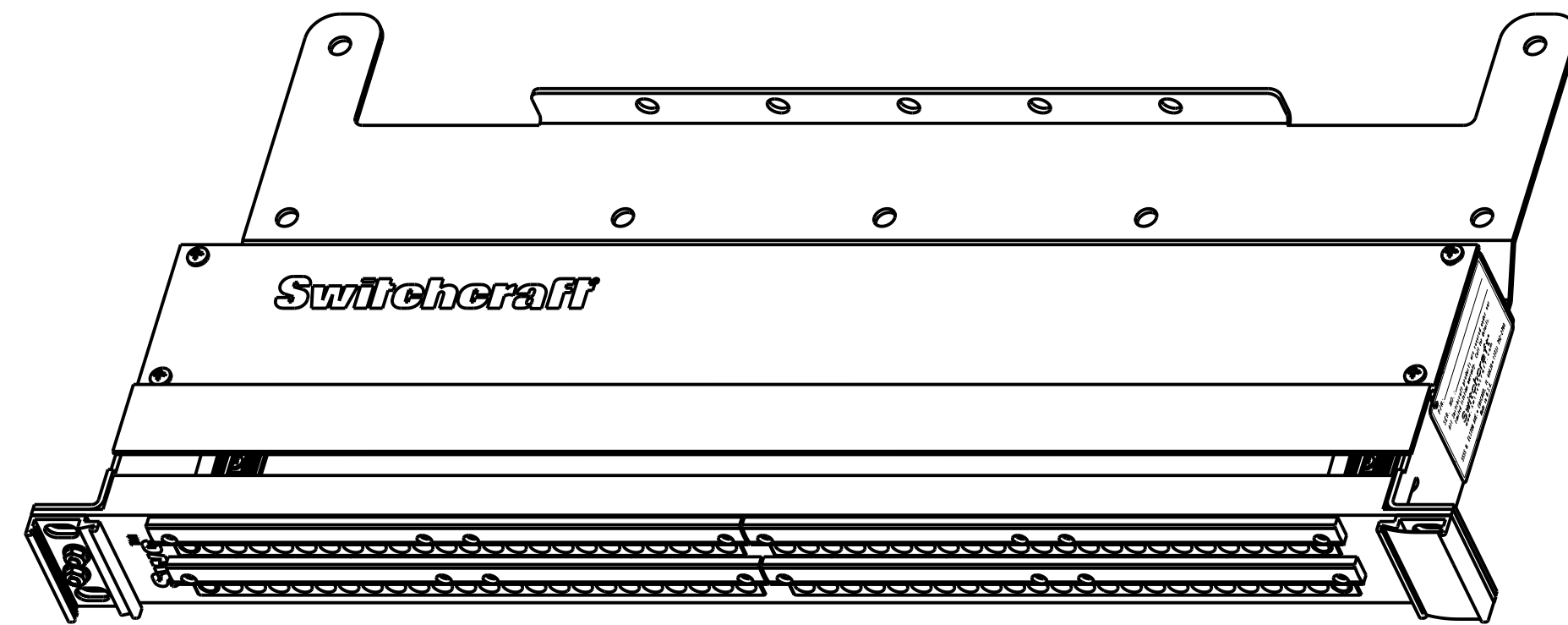
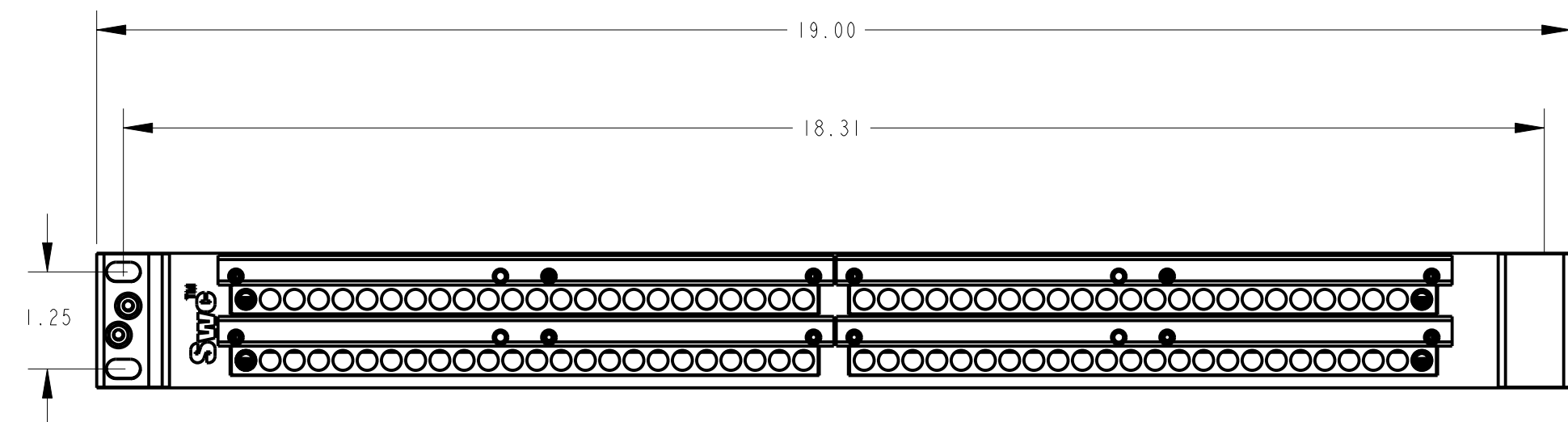
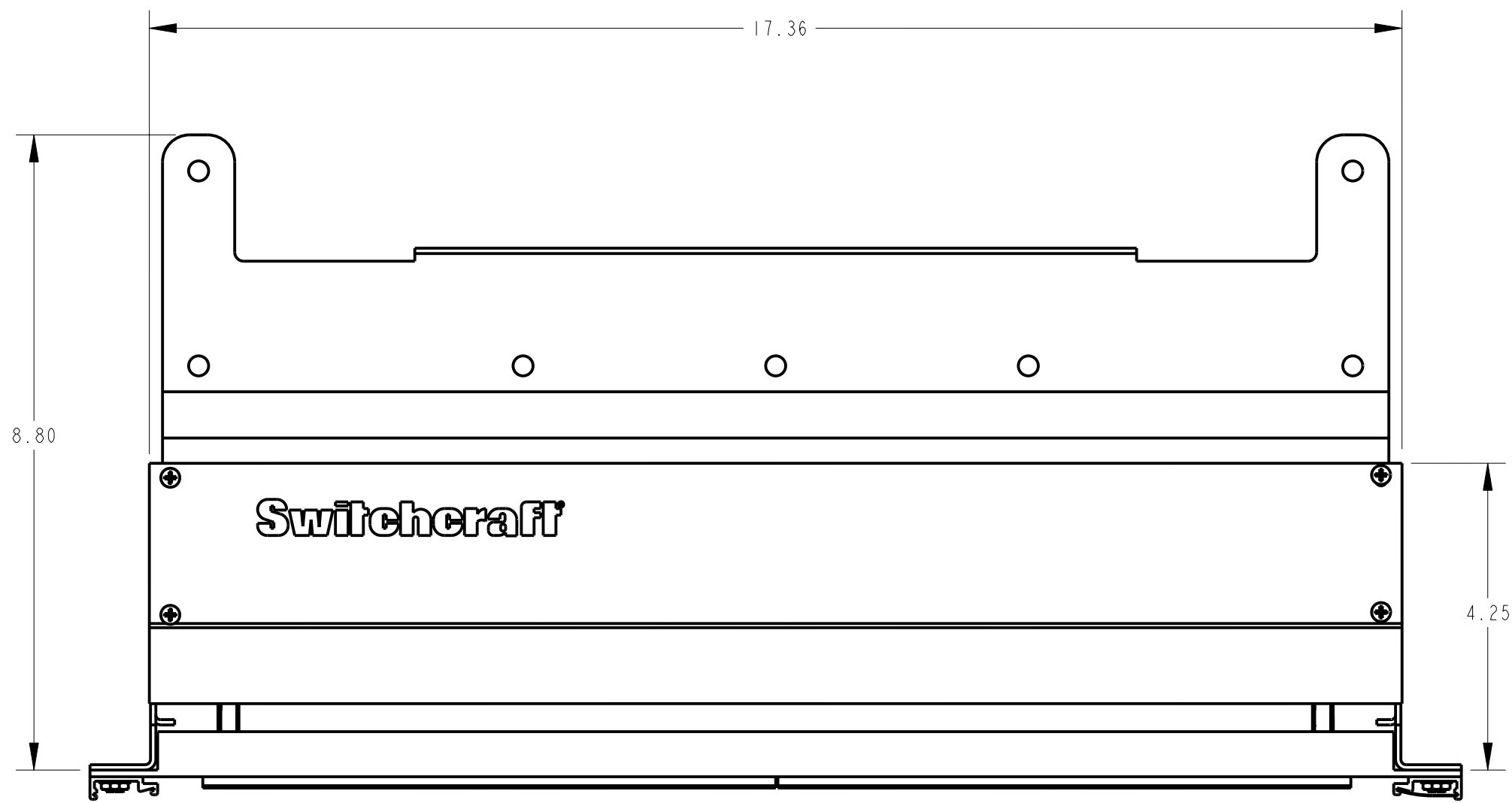
Contact us

Tel: +86-755-8981 8866 Fax: +86-755-8427 6832

Email & Skype: info@chipsmall.com Web: www.chipsmall.com

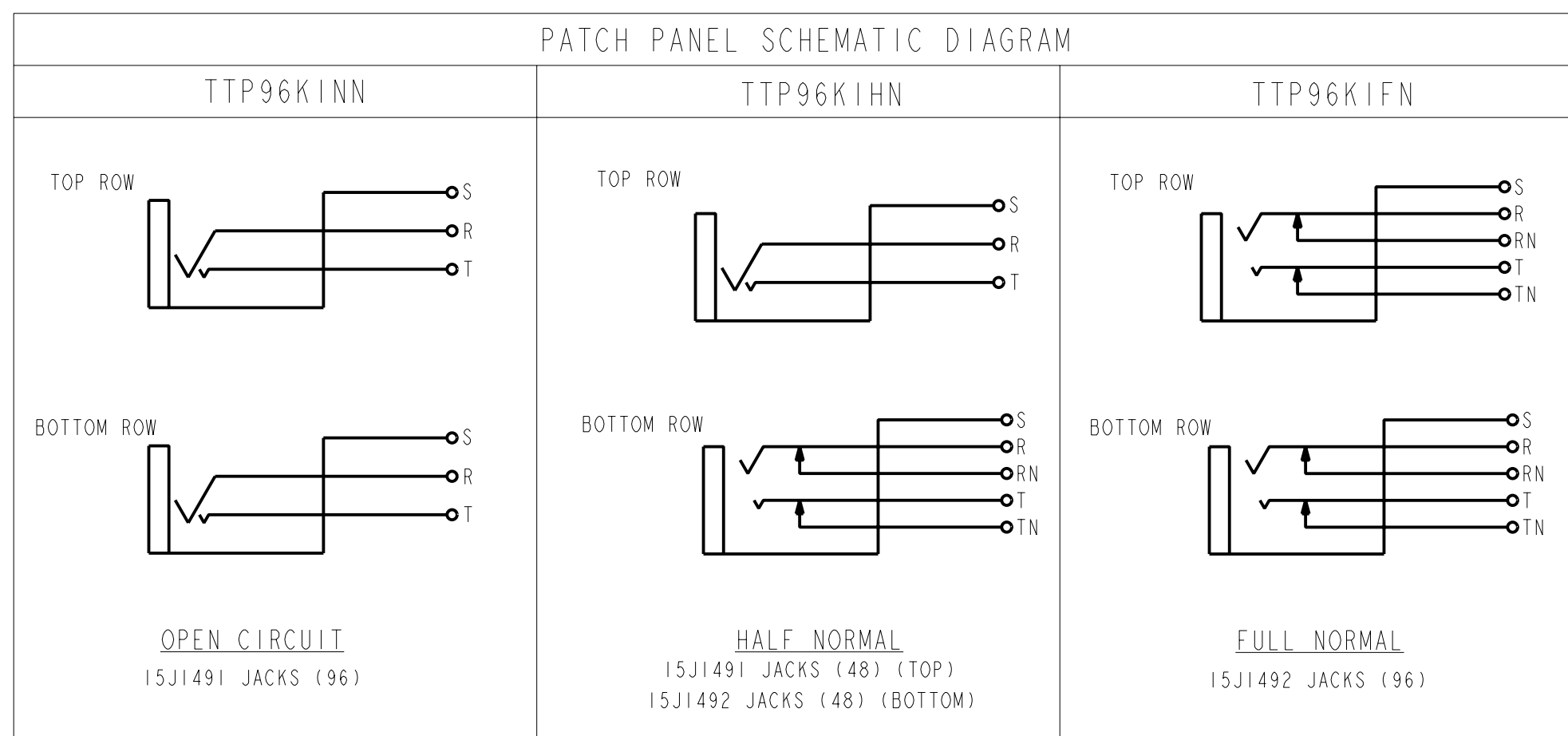
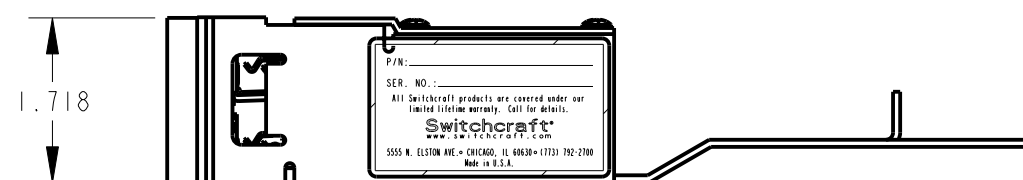
Address: A1208, Overseas Decoration Building, #122 Zhenhua RD., Futian, Shenzhen, China





SCALE 1:2

**OBSOLETE SEE
ECO # 25172**



PRODUCT USES:

- 1) NINETY-SIX JACKS:
 A) NICKEL PLATED FRAME AND ASSEMBLY SCREWS
 B) FLARED MIDDLE LUGS FOR EASIER SOLDERING
 C) OFFSET GROUND LUG FOR EASY BUSING OF GROUND WIRE
 D) SWITCHING CONTACTS ARE GOLD PLATED
- 2) REMOVABLE JACK PANEL FROM THE FRONT FOR EASY SOLDERING OF WIRE CONNECTIONS
- 3) REUSABLE AND ADJUSTABLE WIRE MANAGEMENT STRAPS
- 4) ALL DIMENSIONS ARE FOR REFERENCE ONLY.

CUSTOMER DRAWING

<p>★ STAR SYMBOL DENOTES CRITICAL DIMENSION</p> <p>UNLESS OTHERWISE SPECIFIED</p> <p>1. ALL DIMENSIONS IN INCHES - TWO PLACE DECIMALS ±0.01 - THREE PLACE DECIMALS ±0.005 - ANGLES ±1° - ALL DIA. CONCENTRIC WITHIN 0.005 T.I.R.</p> <p>2. FEATURES ON THE SAME CENTERLINE MUST BE ALIGNED WITHIN ±0.002</p> <p>3. REMOVE ALL BURRS</p>				<p>THIS DRAWING DESCRIBES A DESIGN CONSIDERED PROPRIETARY IN NATURE, DEVELOPED AND MANUFACTURED BY SWITCHCRAFT INC. AND IS RELEASED ON A CONFIDENTIAL BASIS FOR IDENTIFICATION PURPOSES ONLY.</p>				
<p>REV ECO NUMBER DATE BY APVD</p> <p>REVISIONS</p>				<p>SIZE WIDTH MULT LBS/M TEMPER</p>		<p>FINISH MATERIAL SPEC No.</p>		
<p>B 23587 12-19-00 JL JF</p> <p>A RELEASE TO PROD. 21867 8-8-97 MM DK</p>				<p>SCALE 1:2</p>		<p>DATE DRAWN BY CHKD APVD</p> <p>25-Mar-00 JRS JF JF</p>		
<p>DO NOT SCALE DRAWING</p>				<p>NAME TT JACK PATCH PANEL KIT 1 3/4" UNWIRED</p>		<p>SHEET OF </p>		
<p>Pro/Engineer CAD File</p>				<p>REVISIONS</p>		<p>Switchcraft®</p>		
<p>REV B</p>				<p>PART No. TTP96KI SERIES</p>		<p>REV B</p>		