



Chipsmall Limited consists of a professional team with an average of over 10 year of expertise in the distribution of electronic components. Based in Hongkong, we have already established firm and mutual-benefit business relationships with customers from,Europe,America and south Asia,supplying obsolete and hard-to-find components to meet their specific needs.

With the principle of “Quality Parts,Customers Priority,Honest Operation,and Considerate Service”,our business mainly focus on the distribution of electronic components. Line cards we deal with include Microchip,ALPS,ROHM,Xilinx,Pulse,ON,Everlight and Freescale. Main products comprise IC,Modules,Potentiometer,IC Socket,Relay,Connector.Our parts cover such applications as commercial,industrial, and automotives areas.

We are looking forward to setting up business relationship with you and hope to provide you with the best service and solution. Let us make a better world for our industry!



## Contact us

Tel: +86-755-8981 8866 Fax: +86-755-8427 6832

Email & Skype: info@chipsmall.com Web: www.chipsmall.com

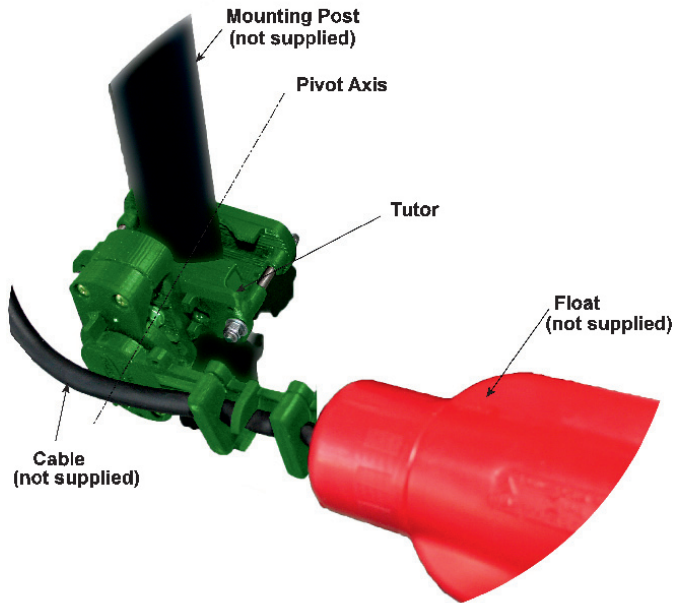
Address: A1208, Overseas Decoration Building, #122 Zhenhua RD., Futian, Shenzhen, China



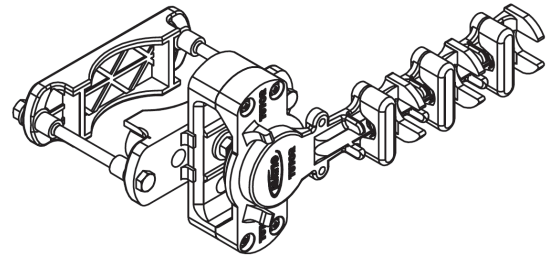


# Tutor

## Steering control for cable suspended float switches.



- **Constrains movement of the float to prevent fouling with other objects in the tank**
- **Cable lock feature**
- **Inert and non-hazardous in water**

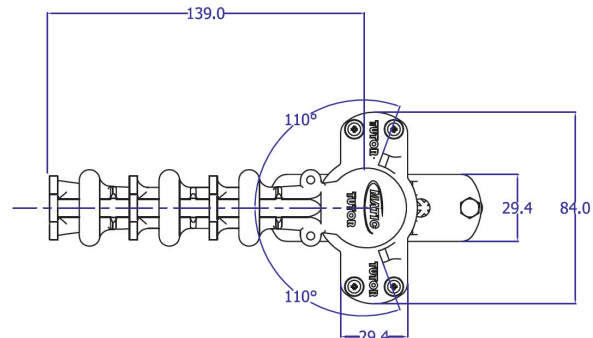
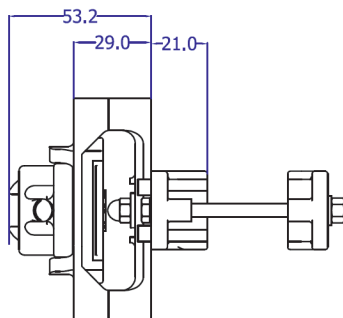
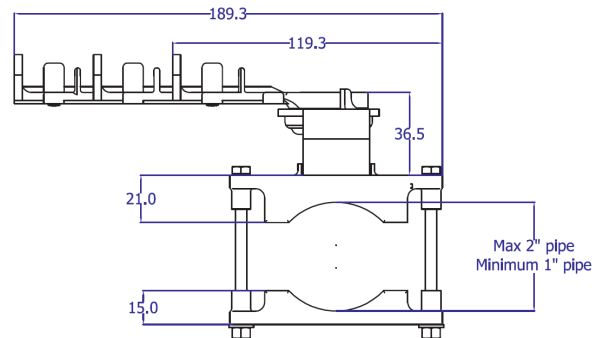


Equipped with a special bracket, the **Tutor** system can be easily fixed directly on pumps, or wall fixed, or on pipework for steering the floating switch in narrow or confined spaces to avoid the accidental fouling of other pipes, cables, walls and other obstacles.

Compared to the traditional cable locking system seen on pumps, the **Tutor** pivot system allows the full flexibility of up to only 4cm length from the fixed point, without any movement impairment.

The **Tutor** is compatible with all of Cynergy3's extensive range of cable-end float switches.

### Mechanical Dimensions



Cynergy3 Components Ltd.  
7 Cobham Road  
Ferndown Industrial Estate  
Wimborne, Dorset BH21 7PE  
Telephone +44 (0) 1202 897969  
Email: sales@cynergy3.com

**ISO9001 CERTIFIED**

Tutor 2016

[www.cynergy3.com](http://www.cynergy3.com)