



Chipsmall Limited consists of a professional team with an average of over 10 year of expertise in the distribution of electronic components. Based in Hongkong, we have already established firm and mutual-benefit business relationships with customers from,Europe,America and south Asia,supplying obsolete and hard-to-find components to meet their specific needs.

With the principle of “Quality Parts,Customers Priority,Honest Operation,and Considerate Service”,our business mainly focus on the distribution of electronic components. Line cards we deal with include Microchip,ALPS,ROHM,Xilinx,Pulse,ON,Everlight and Freescale. Main products comprise IC,Modules,Potentiometer,IC Socket,Relay,Connector.Our parts cover such applications as commercial,industrial, and automotives areas.

We are looking forward to setting up business relationship with you and hope to provide you with the best service and solution. Let us make a better world for our industry!



Contact us

Tel: +86-755-8981 8866 Fax: +86-755-8427 6832

Email & Skype: info@chipsmall.com Web: www.chipsmall.com

Address: A1208, Overseas Decoration Building, #122 Zhenhua RD., Futian, Shenzhen, China



PAN-SHRINK™ Catalog

SA# 101N48F-AIS

PANDUIT® DRY-SHRINK™, DAMP-SHRINK™ and WET-SHRINK™
Heat Shrink and Abrasion Protection Products

Contents

Heat Shrink Products	Type	Page
Polyolefin, General Purpose Tubing	HSTT	4-9
Polyolefin, General Purpose Tubing For Displays	HSTTD	10
Polyolefin, VW-1 Rated	HSTTV	11-13
Polyolefin, Semi-Rigid Tubing	HSTTR	14
PVC Heat Shrink Tubing	HSTTP	15
Neoprene Heat Shrink Tubing	HSTTN	16
TEFLON■ Type TFE Heat Shrink Tubing	HSTTT	17
TEFLON■ Type FEP Heat Shrink Tubing	HSTTF	18
KYNAR▲ Heat Shrink Tubing	HSTTK	19
Polyolefin, Dual Wall, 2:1 Shrink Ratio with Adhesive	HSTTVA	20
Polyolefin, Dual Wall, 3:1 Shrink Ratio with Adhesive	HSTTA	21
Polyolefin, Dual Wall, Semi-Rigid with Adhesive	HSTTRA	22
Thick Wall Heat Shrink Tubing	HST	23
Thick Wall Heat Shrink End Caps	HSEC	24
Heat Shrink Kits		25-26
Heat Shrink Tools, Accessories and Replacement Parts	HSG	27
Technical Information and Size Selection Guides		
Heat Shrink Process Defined		28
Heat Shrink Installation Instructions		28
Ingress Protection Technical Information		29
Recommended Tubing Size for Common Wire Types		30
Size Selection for Heat Shrink Tubing		31
Thick Wall Heat Shrink and Power Connector Selection Guide		32
General Information on Heat Shrink Tubing		33-34
Specifications/Test Methods for Heat Shrink Tubing		35-36
Panduit Power Connectors used with Thick Wall Heat Shrink		37
Non-Heat Shrinkable Tubing		
PVC Tubing	TV105	38-39
Abrasion Protection Products		
Spiral Wrapping		
Spiral Wrapping Features, Benefits and Suggested Applications		40
Spiral Wrapping Part Number System		41
Spiral Wrapping Ordering Information		42-43
Grommet Edging		
Grommet Edging	GEE,GE,GES,GEM	44-46
Corrugated Loom Tubing		
Corrugated Loom Tubing	CLT	47-48
Braided Expandable Sleeving		
Braided Expandable Sleeving—Type PET	SE*P	49
Braided Expandable Sleeving, Flame Retardant—Type PET	SE**PFR	50
Abrasion Protection Products Flammability Tests and Classifications		51-52
Abrasion Protection Products Technical Data		53-54
Alphabetical Part Number Index		55

▲ KYNAR is a registered trademark of ELF Atochem

■ TEFLON is a registered trademark of E.I. DuPont Co.

PANDUIT DRY-SHRINK™, DAMP-SHRINK™ and WET-SHRINK™
Heat Shrink & Abrasion Protection Products

PANDUIT® DRY-SHRINK, DAMP-SHRINK and WET-SHRINK Heat Shrink Tubing provide an economical and easy way to insulate, protect, harness and identify electrical and electronic components in a wide variety of applications.

INSULATE



IDENTIFY



PROTECT



HARNESS



ACCESSORIES



5 Types of Packaging

6" Pieces



4' Lengths



Custom Cut Pieces
(cut to your specifications)



Small Reels



Large Reels



For Technical Assistance, call 866-405-6662
(Outside the U.S., see inside back cover for International Directory)

PANDUIT® Heat Shrink Tubing — Heat Shrink Tubing Quick Selection Guide

Quick reference for PANDUIT Heat Shrink Tubing for specific location applications

CHARACTERISTICS

	HSTT	HSTTV	HSTTR	HSTTN	HSTTK	HSTTT	HSTTT4X	HSTTF	HSTTP	HSTTVA	HSTTRA	HSTTA	HST
U.L. Listed													X
UL Recognized	X‡	X				X				X			
CSA Certified	X‡	X								X			X**
VW-1 Rated		X				X				X			
Very Flexible		X			X								
Flexible	X									X	X		X
Semi-Rigid				X		X	X	X	X			X	X
Thin Wall	X	X	X	X	X	X	X	X	X	X	X	X	X
Thick Wall													X
Cross-Linked Material	X	X	X	X	X					X	X	X	X
Colors Available	X	X											X*
High Shrink Ratio								4:1				2.5:1	3:1
Flame Retardant	X‡	X	X	X	X	X	X	X	X	X	X	X	X
Adhesive Lined (Dual Wall)											X	X	X
Meets Military Specification	X	X	X	X	X	X	X	X	X		X	X	X
Below Ground Application													X
High Temp Applications (>250°F)						X	X	X	X				
Highly Chemical Resistant						X	X	X	X				
Low Coefficient of Friction							X	X	X				
Custom Cut Lengths	X	X	X	X	X	X	X	X	X	X	X	X	X
Standard 6" pieces	X	X									X		X
Standard 4' lengths	X	X	X			X	X	X	X		X	X	X
Small 25' Reels	X	X			X					X			
Large Reels	X	X			X					X			
IP Rating	62	62	62	62	62	—	—	—	—	62	66	66	66
Found on Page. . .	4-10	11-13	14	16	19	17	17	18	15	20	22	21	23

See page 29 for IP Technical information

* Black/Red

**Except red

‡Except Clear

Thin Wall Heat Shrink Part Number System

	HSTT	12	-	48	-	Q	10	
<u>Type</u>	<u>Expanded Diameter</u>	<u>Tube Length</u>		<u>Package Quantity</u> (If Tube Length Specified)		<u>Color</u>		
HSTT - Thin Wall	05 • 3/64" (1.2mm)	48" (1.2M)		(If Tube Length Specified)		NONE • Black		
HSTTD - Thin Wall Display	06 • 1/16" (1.6mm)	NONE • REEL		2 • 2 Pcs.		C • Clear		
HSTTV - Thin Wall VW-1	09 • 3/32" (2.4mm)			5 • 5 Pcs.		2 • Red		
HSTTR - Thin Wall Semi-Rigid	12 • 1/8" (3.2mm)			Q • 25 Pcs.		4 • Yellow		
HSTTN - Thin Wall Neoprene	19 • 3/16" (4.8mm)			LQ • 75 Pcs.		5 • Green		
HSTTK - Thin Wall KYNAR▲	25 • 1/4" (6.4mm)			CQ • 125 Pcs.		6 • Blue		
HSTTT - Thin Wall TFE TEFLON■	38 • 3/8" (9.5mm)			T • 200 Pcs.		10 • White		
HSTTT4X - Thin Wall TEFLON■ 4:1 Ratio	50 • 1/2" (12.7mm)			TL • 250 Pcs.		45 • Yellow/Green		
HSTTF - Thin Wall TEFLON■ FEP	75 • 3/4" (19.0mm)							
HSTTP - Thin Wall PVC	100 • 1" (25.4mm)			<u>Reels (If No Tube Length Specified)</u>				
HSTTVA - Flexible Adhesive Lined	150 • 1-1/2" (38.1mm)			Q • 25' (7.6M)				
HSTTRA - Semi-Rigid Adhesive Lined	200 • 2" (50.5mm)			L • 50' (15.2M)				
HSTTA - Thin Wall Adhesive Lined	300 • 3" (76.2mm)			C • 100' (30.5M)				
	400 • 4" (101.6mm)			T • 200' (61.0M)				
				D • 500' (152.4M)				
				M • 1000' (304.8M)				

For Standard Packages containing 6" lengths, refer to individual pages for complete part number offering.

Note: The above information is to be used as a guide. For specific part number offerings review individual pages for verification.

▲ KYNAR is a registered trademark of ELF Atochem

■ TEFLON is a registered trademark of E.I. DuPont Co.

Flexible Polyolefin **DRY-SHRINK™** Heat Shrink Tubing

HSTT Heat Shrink in 4' (1.2M) Pieces and Reels

- General purpose heat shrink tubing for dry locations
- Applications include insulating, protecting, harnessing and identifying wires


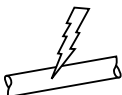
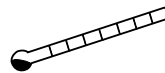







Ordering Information — HSTT in Bulk Packages — Large Reels and 4' (1.2M) Pcs. (3/64" to 3/4" Expanded I.D.)

Nominal Diameter In.	Minimum Expanded I.D. In. (mm)	Maximum Recovered I.D. In. (mm)	Nominal Recovered Wall Thickness In. (mm)	Length	Bulk Pkg. Qty.*	Bulk Ctn. Qty.	Black
3/64"	.046" (1.2)	.023" (0.6)	.016" (0.4)	4' (1.2M) 4' (1.2M) 1 Reel, 100' (30.5M) 1 Reel, 1000' (304.8M)	25 Pcs. 250 Pcs. 1 Reel 1 Reel	— — 10 Reels 2 Reels	HSTT05-48-Q HSTT05-48-TL HSTT05-C HSTT05-M
1/16"	.063" (1.6)	.031" (0.8)	.017" (0.4)	4' (1.2M) 4' (1.2M) 1 Reel, 100' (30.5M) 1 Reel, 1000' (304.8M)	25 Pcs. 250 Pcs. 1 Reel 1 Reel	— — 10 Reels 2 Reels	HSTT06-48-Q HSTT06-48-TL HSTT06-C HSTT06-M
3/32"	.093" (2.4)	.046" (1.2)	.020" (0.5)	4' (1.2M) 4' (1.2M) 1 Reel, 100' (30.5M) 1 Reel, 1000' (304.8M)	25 Pcs. 250 Pcs. 1 Reel 1 Reel	— — 10 Reels 2 Reels	HSTT09-48-Q HSTT09-48-TL HSTT09-C HSTT09-M
1/8"	.125" (3.2)	.062" (1.6)	.020" (0.5)	4' (1.2M) 4' (1.2M) 1 Reel, 100' (30.5M) 1 Reel, 1000' (304.8M)	25 Pcs. 250 Pcs. 1 Reel 1 Reel	— — 10 Reels 2 Reels	HSTT12-48-Q HSTT12-48-TL HSTT12-C HSTT12-M
3/16"	.187" (4.8)	.093" (2.4)	.020" (0.5)	4' (1.2M) 4' (1.2M) 1 Reel, 100' (30.5M) 1 Reel, 1000' (304.8M)	25 Pcs. 250 Pcs. 1 Reel 1 Reel	— — 10 Reels 2 Reels	HSTT19-48-Q HSTT19-48-TL HSTT19-C HSTT19-M
1/4"	.250" (6.4)	.125" (3.2)	.025" (0.6)	4' (1.2M) 4' (1.2M) 1 Reel, 100' (30.5M) 1 Reel, 500' (152.4M)	25 Pcs. 250 Pcs. 1 Reel 1 Reel	— — 10 Reels 2 Reels	HSTT25-48-Q HSTT25-48-TL HSTT25-C HSTT25-D
3/8"	.375" (9.5)	.187" (4.8)	.025" (0.6)	4' (1.2M) 4' (1.2M) 1 Reel 100' (30.5M) 1 Reel, 200' (61.0M)	25 Pcs. 250 Pcs. 1 Reel 1 Reel	— — 10 Reels 2 Reels	HSTT38-48-Q HSTT38-48-TL HSTT38-C HSTT38-T
1/2"	.500" (12.7)	.250" (6.4)	.025" (0.6)	4' (1.2M) 4' (1.2M) 1 Reel 100' (30.5M) 1 Reel, 200' (61.0M)	25 Pcs. 200 Pcs. 1 Reel 1 Reel	— — 10 Reels 2 Reels	HSTT50-48-Q HSTT50-48-T HSTT50-C HSTT50-T
3/4"	.750" (19.0)	.375" (9.5)	.030" (0.8)	4' (1.2M) 4' (1.2M) 1 Reel 100' (30.5M) 1 Reel, 200' (61.0M)	5 Pcs. 125 Pcs. 1 Reel 1 Reel	— — 10 Reels 2 Reels	HSTT75-48-5 HSTT75-48-CQ HSTT75-C HSTT75-T

*Order in multiples of Bulk Pkg. Qty. Consult factory for colors not listed.
See [page 29](#) for IP Technical Information


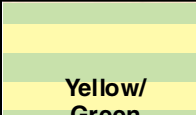
Flexible Polyolefin *DRY-SHRINK™* Heat Shrink Tubing

Type	Materials		
HSTT	 Polyolefin Cross-Linked		
 600V	 -67°F to 275°F (-55°C to 135°C †)	 AMS-DTL-23053/5 Class 1 or Class 2	 Variety of Colors
 Flexible	 Shrink Ratio: 2:1	 Flame Retardant (Except Clear)	

† Maximum UL temperature range is 125°C



Need help selecting a heat shrink type or size? Request a Heat Shrink Selection Guide, SA 102N66-AIS.

 Clear	Red	Yellow	Green	Blue	White	 Yellow/ Green
HSTT05-48-QC HSTT05-48-TLC HSTT05-CC HSTT05-MC	HSTT05-48-Q2 — HSTT05-C2 HSTT05-M2	HSTT05-48-Q4 — — HSTT05-M4	HSTT05-48-Q5 — — HSTT05-M5	HSTT05-48-Q6 — — HSTT05-M6	HSTT05-48-Q10 — — HSTT05-M10	— — — —
HSTT06-48-QC HSTT06-48-TLC HSTT06-CC HSTT06-MC	HSTT06-48-Q2 — HSTT06-C2 HSTT06-M2	HSTT06-48-Q4 — — HSTT06-M4	HSTT06-48-Q5 — — HSTT06-M5	HSTT06-48-Q6 — — HSTT06-M6	HSTT06-48-Q10 — — HSTT06-M10	— — — —
HSTT09-48-QC HSTT09-48-TLC HSTT09-CC HSTT09-MC	HSTT09-48-Q2 — HSTT09-C2 HSTT09-M2	HSTT09-48-Q4 — — HSTT09-M4	HSTT09-48-Q5 — — HSTT09-M5	HSTT09-48-Q6 — — HSTT09-M6	HSTT09-48-Q10 — — HSTT09-M10	— — — —
HSTT12-48-QC HSTT12-48-TLC HSTT12-CC HSTT12-MC	HSTT12-48-Q2 — HSTT12-C2 HSTT12-M2	HSTT12-48-Q4 — — HSTT12-M4	HSTT12-48-Q5 — — HSTT12-M5	HSTT12-48-Q6 — — HSTT12-M6	HSTT12-48-Q10 — — HSTT12-M10	HSTT12-48-Q45 — — HSTT12-M45
HSTT19-48-QC HSTT19-48-TLC HSTT19-CC HSTT19-MC	HSTT19-48-Q2 — HSTT19-C2 HSTT19-M2	HSTT19-48-Q4 — — HSTT19-M4	HSTT19-48-Q5 — — HSTT19-M5	HSTT19-48-Q6 — — HSTT19-M6	HSTT19-48-Q10 — — HSTT19-M10	HSTT19-48-Q45 — — HSTT19-M45
HSTT25-48-QC HSTT25-48-TLC HSTT25-CC HSTT25-DC	HSTT25-48-Q2 — HSTT25-C2 HSTT25-D2	HSTT25-48-Q4 — — HSTT25-D4	HSTT25-48-Q5 — — HSTT25-D5	HSTT25-48-Q6 — — HSTT25-D6	HSTT25-48-Q10 — — HSTT25-D10	HSTT25-48-Q45 — — HSTT25-D45
HSTT38-48-QC HSTT38-48-TLC HSTT38-CC HSTT38-TC	HSTT38-48-Q2 — HSTT38-C2 HSTT38-T2	HSTT38-48-Q4 — — HSTT38-T4	HSTT38-48-Q5 — — HSTT38-T5	HSTT38-48-Q6 — — HSTT38-T6	HSTT38-48-Q10 — — HSTT38-T10	HSTT38-48-Q45 — — HSTT38-T45
HSTT50-48-QC HSTT50-48-TC HSTT50-CC HSTT50-TC	HSTT50-48-Q2 — HSTT50-C2 HSTT50-T2	HSTT50-48-Q4 — — HSTT50-T4	HSTT50-48-Q5 — — HSTT50-T5	HSTT50-48-Q6 — — HSTT50-T6	HSTT50-48-Q10 — — HSTT50-T10	HSTT50-48-Q45 — — HSTT50-T45
HSTT75-48-5C HSTT75-48-CQC HSTT75-CC HSTT75-TC	HSTT75-48-5-2 — HSTT75-C2 HSTT75-T2	HSTT75-48-5-4 — — HSTT75-T4	HSTT75-48-5-5 — — HSTT75-T5	HSTT75-48-5-6 — — HSTT75-T6	HSTT75-48-5-10 — — HSTT75-T10	HSTT75-48-545 — — HSTT75-T45

Flexible Polyolefin *DRY-SHRINK*™ Heat Shrink Tubing

HSTT Heat Shrink in 4' (1.2M) Pieces and Reels continued

- General purpose heat shrink tubing for dry locations
- Applications include insulating, protecting, harnessing and identifying wires



Ordering Information — HSTT in Bulk Packages — Large Reels and 4' (1.2M) Pcs. (1" to 4" Expanded I.D.)

Nominal Diameter In.	Minimum Expanded I.D. In. (mm)	Maximum Recovered I.D. In. (mm)	Nominal Recovered Wall Thickness In. (mm)	Length	Bulk Pkg. Qty.*	Bulk Ctn. Qty.	Black
1"	1.00" (25.4)	.500" (12.7)	.035" (0.9)	4' (1.2M) 4' (1.2M) 1 Reel, 100' (30.5M)	5 Pcs. 75 Pcs. 1 Reel	— — 2 Reels	HSTT100-48-5 HSTT100-48-LQ HSTT100-C
1 1/2"	1.50" (38.1)	.750" (19.0)	.040" (1.0)	4' (1.2M) 1 Reel, 100' (30.5M)	5 Pcs. 1 Reel	— 2 Reels	HSTT150-48-5 HSTT150-C
2"	2.00" (50.8)	1.00" (25.4)	.045" (1.1)	4' (1.2M) 1 Reel, 50' (15.2M)	5 Pcs. 1 Reel	— 2 Reels	HSTT200-48-5 HSTT200-L
3"	3.00" (76.2)	1.50" (38.1)	.050" (1.3)	4' (1.2M) 1 Reel, 50' (15.2M)	2 Pcs. 1 Reel	— —	HSTT300-48-2 HSTT300-L
4"	4.00" (101.6)	2.00" (50.8)	.055" (1.4)	4' (1.2M) 1 Reel, 50' (15.2M)	2 Pcs. 1 Reel	— —	HSTT400-48-2 HSTT400-L

* Order in multiples of Bulk Pkg. Qty. Consult factory for colors not listed.

Note: HSTT300-48-2, HSTT300-48-2C, HSTT400-48-2 and HSTT400-48-2C are classified as standard packaged items rather than bulk packaged.


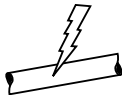
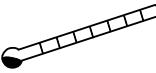






HSTT Heat Shrink on 25' (7.5M) Reels

Ordering Information — HSTT in Standard Packages

Nominal Diameter In.	Minimum Expanded I.D. In. (mm)	Maximum Recovered I.D. In. (mm)	Nominal Recovered Wall Thickness In. (mm)	Length	Std. Pkg. Qty.*	Std. Ctn. Qty.	Black
3/64"	.046" (1.2)	.023" (0.6)	.016" (0.4)	1 Reel, 25' (7.5M)	1 Reel	10 Reels	HSTT05-Q
1/16"	.063" (1.6)	.031" (0.8)	.017" (0.4)	1 Reel, 25' (7.5M)	1 Reel	10 Reels	HSTT06-Q
3/32"	.093" (2.4)	.046" (1.2)	.020" (0.5)	1 Reel, 25' (7.5M)	1 Reel	10 Reels	HSTT09-Q
1/8"	.125" (3.2)	.062" (1.6)	.020" (0.5)	1 Reel, 25' (7.5M)	1 Reel	10 Reels	HSTT12-Q
3/16"	.187" (4.8)	.093" (2.4)	.020" (0.5)	1 Reel, 25' (7.5M)	1 Reel	10 Reels	HSTT19-Q
1/4"	.250" (6.4)	.125" (3.2)	.025" (0.6)	1 Reel, 25' (7.5M)	1 Reel	10 Reels	HSTT25-Q
3/8"	.375" (9.5)	.187" (4.8)	.025" (0.6)	1 Reel, 25' (7.5M)	1 Reel	10 Reels	HSTT38-Q
1/2"	.500" (12.7)	.250" (6.4)	.025" (0.6)	1 Reel, 25' (7.5M)	1 Reel	10 Reels	HSTT50-Q
3/4"	.750" (19.0)	.375" (9.5)	.030" (0.8)	1 Reel, 25' (7.5M)	1 Reel	10 Reels	HSTT75-Q

* Order in multiples of Std. Pkg. Qty.

Flexible Polyolefin *DRY-SHRINK*™ Heat Shrink Tubing

Type	Materials			
HSTT	 Polyolefin Cross-Linked			
 600V	 -67°F to 275°F (-55°C to 135°C †)	 AMS-DTL-23053/5 Class 1 or Class 2	 (Except Clear)	
 Flexible	 Shrink Ratio: 2:1	 Flame Retardant (Except Clear)	 Variety of Colors	



"Q-Box" (25' (7.5M) / Box)
Unique Self-Dispensing Features

† Maximum UL temperature range is 125°C

Clear	Red	Yellow	Green	Blue	White	Yellow/ Green
HSTT100-48-5C HSTT100-48-LQC HSTT100-CC	HSTT100-48-5-2 — HSTT100-C2	HSTT100-48-5-4 — HSTT100-C4	HSTT100-48-5-5 — HSTT100-C5	HSTT100-48-5-6 — HSTT100-C6	HSTT100-48-5-10 — HSTT100-C10	HSTT100-48-5-45 — HSTT100-C45
HSTT150-48-5C HSTT150-CC	HSTT150-48-5-2 HSTT150-C2	HSTT150-48-5-4 HSTT150-C4	— —	HSTT150-48-5-6 HSTT150-C6	HSTT150-48-5-10 HSTT150-C10	— —
HSTT200-48-5C HSTT200-LC	HSTT200-48-5-2 HSTT200-L2	HSTT200-48-5-4 HSTT200-L4	— —	HSTT200-48-5-6 HSTT200-L6	HSTT200-48-5-10 HSTT200-L10	— —
HSTT300-48-2C —	— —	— —	— —	— —	— —	— —
HSTT400-48-2C —	— —	— —	— —	— —	— —	— —

Clear	Red	Yellow	Green	Blue	White	Yellow/ Green
HSTT05-QC	HSTT05-Q2	HSTT05-Q4	HSTT05-Q5	HSTT05-Q6	HSTT05-Q10	—
HSTT06-QC	HSTT06-Q2	HSTT06-Q4	HSTT06-Q5	HSTT06-Q6	HSTT06-Q10	—
HSTT09-QC	HSTT09-Q2	HSTT09-Q4	HSTT09-Q5	HSTT09-Q6	HSTT09-Q10	—
HSTT12-QC	HSTT12-Q2	HSTT12-Q4	HSTT12-Q5	HSTT12-Q6	HSTT12-Q10	HSTT12-Q45
HSTT19-QC	HSTT19-Q2	HSTT19-Q4	HSTT19-Q5	HSTT19-Q6	HSTT19-Q10	HSTT19-Q45
HSTT25-QC	HSTT25-Q2	HSTT25-Q4	HSTT25-Q5	HSTT25-Q6	HSTT25-Q10	HSTT25-Q45
HSTT38-QC	HSTT38-Q2	HSTT38-Q4	HSTT38-Q5	HSTT38-Q6	HSTT38-Q10	HSTT38-Q45
HSTT50-QC	HSTT50-Q2	HSTT50-Q4	HSTT50-Q5	HSTT50-Q6	HSTT50-Q10	HSTT50-Q45
HSTT75-QC	HSTT75-Q2	HSTT75-Q4	HSTT75-Q5	HSTT75-Q6	HSTT75-Q10	HSTT75-Q45

Flexible Polyolefin *DRY-SHRINK™* Heat Shrink Tubing

HSTT Heat Shrink Standard Packs of Heat Shrink — 6" (152.4mm) Pieces

Small package holds unused tube and fits easily
in a tool box



- General purpose heat shrink tubing for dry locations
- Applications include insulating, protecting, harnessing and identifying wires

Type	Materials		
HSTT	Polyolefin Cross-Linked		
 600V	 -67°F to 275°F (-55°C to 135°C‡)	 AMS-DTL-23053/5 Class 1 or Class 2	 (Except Clear)
 Flexible	 Shrink Ratio: 2:1	 Flame Retardant (Except Clear)	 Variety of Colors



‡ Maximum UL temperature range is 125°C

Ordering Information — HSTT in Standard Packages

Nominal Diameter In.	Minimum Expanded I.D. In. (mm)	Maximum Recovered I.D. In. (mm)	Nominal Recovered Wall Thickness In. (mm)	Length	Total No. Pcs.	Std. Pkg. Qty.*	Std. Ctn. Qty.	Black
1/16"	.063" (1.6)	.031" (0.8)	.017" (0.4)	1 Pc. 6" (152.4mm)	26	1 Pkg.	10 Pkgs.	HSTT06-Y**
3/32"	.093" (2.4)	.046" (1.2)	.020" (0.5)	1 Pc. 6" (152.4mm)	24	1 Pkg.	10 Pkgs.	HSTT09-Y**
1/8"	.125" (3.2)	.062" (1.6)	.020" (0.5)	1 Pc. 6" (152.4mm)	20	1 Pkg.	10 Pkgs.	HSTT12-Y**
3/16"	.187" (4.8)	.093" (2.4)	.020" (0.5)	1 Pc. 6" (152.4mm)	18	1 Pkg.	10 Pkgs.	HSTT19-Y**
1/4"	.250" (6.4)	.125" (3.2)	.025" (0.6)	1 Pc. 6" (152.4mm)	14	1 Pkg.	10 Pkgs.	HSTT25-Y**
3/8"	.375" (9.5)	.187" (4.8)	.025" (0.6)	1 Pc. 6" (152.4mm)	12	1 Pkg.	10 Pkgs.	HSTT38-Y**
1/2"	.500" (12.7)	.250" (6.4)	.025" (0.6)	1 Pc. 6" (152.4mm)	10	1 Pkg.	10 Pkgs.	HSTT50-Y**
3/4"	.750" (19.0)	.375" (9.5)	.030" (0.8)	1 Pc. 6" (152.4mm)	8	1 Pkg.	10 Pkgs.	HSTT75-Y**
1"	1.00" (25.4)	.500" (12.7)	.035" (0.9)	1 Pc. 6" (152.4mm)	6	1 Pkg.	10 Pkgs.	HSTT100-Y**

*Order in multiples of Std. Pkg. Qty.

**For Colors, add C (Clear), 2 (Red), 4 (Yellow), 5 (Green), 6 (Blue) and 10 (White) to end of part number package suffix (Example: HSTT06-YC).

Standard Packs of Heat Shrink — 6" (152.4mm) Pieces

Small package holds unused tube and fits easily in a tool box

- Assorted colors and diameters available



HSTT– Combination: Black and Colors — Single Diameter

Part Number	Nominal Diameter In.	Minimum Expanded I.D. In. (mm)	Maximum Recovered I.D. In. (mm)	Total No. Pcs.	Black No. Pcs.	Each Color No. Pcs.	Std. Pkg. Qty.*	Std. Ctn. Qty.
HSTT06-YK1	1/16"	.063" (1.6)	.031" (0.8)	26	8	3	1 Pkg.	10 Pkgs.
HSTT09-YK1	3/32"	.093" (2.4)	.046" (1.2)	24	6	3	1 Pkg.	10 Pkgs.
HSTT12-YK1	1/8"	.125" (3.2)	.062" (1.6)	20	2	3	1 Pkg.	10 Pkgs.
HSTT19-YK1	3/16"	.187" (4.8)	.093" (2.4)	18	6	2	1 Pkg.	10 Pkgs.
HSTT25-YK1	1/4"	.250" (6.4)	.125" (3.2)	14	2	2	1 Pkg.	10 Pkgs.
HSTT38-YK1	3/8"	.375" (9.5)	.187" (4.8)	12	6	1	1 Pkg.	10 Pkgs.
HSTT50-YK1	1/2"	.500" (12.7)	.250" (6.4)	10	4	1	1 Pkg.	10 Pkgs.
HSTT75-YK1	3/4"	.750" (19.0)	.375" (9.5)	8	2	1	1 Pkg.	10 Pkgs.
HSTT100-YK1	1"	1.00" (25.4)	.500" (12.7)	7	1	1	1 Pkg.	10 Pkgs.

*Order in multiples of Std. Pkg. Qty.

NOTE: Colors include Clear, Red, Yellow, Green, Blue and White

HSTT– Black Only — Multiple Diameters

Part Number	Nominal Diameter In.	Total Number of Pieces	Black Number of Pieces by Diameter	Std. Pkg. Qty.*	Std. Ctn. Qty.
HSTT-YK1	Various; Smaller Range	14	(2) pcs. each 1/8", 1/16", 3/16", 3/32", 1/4", 1/2", 3/8"	1 Pkg.	10 Pkgs.
HSTT-YK2	Various; Larger Range	8	(2) pcs. each 3/8", 1/2", 3/4", 1"	1 Pkg.	10 Pkgs.

*Order in multiples of Std. Pkg. Qty.



HSTT– Yellow/Green Stripe — Multiple Diameters

Part Number	Nominal Diameter In.	Total Number of Pieces	Number of Pieces by Diameter	Std. Pkg. Qty.*	Std. Ctn. Qty.
HSTT-YK1-45	Various; Smaller Range	8	(2) pcs. each 1/8", 3/16", 1/4", 3/8"	1 Pkg.	10 Pkgs.
HSTT-YK2-45	Various; Larger Range	6	(2) pcs. each 3/8", 1/2", 3/4"	1 Pkg.	10 Pkgs.

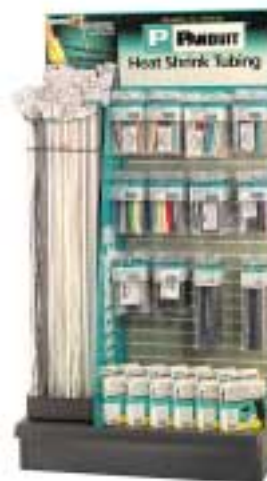
*Order in multiples of Std. Pkg. Qty.



Flexible Polyolefin *DRY-SHRINK*™ Heat Shrink Tubing

HSTTD Heat Shrink in 4' (1.2M) Pieces with Bar Coded Tags for Distributor Display Areas

- General purpose heat shrink tubing for dry locations
- Applications include insulating, protecting, harnessing and identifying wires



(Except Clear)



(Except Clear)

Ordering Information — HSTTD in Standard Packages

Nominal Diameter In.	Minimum Expanded I.D. In. (mm)	Maximum Recovered I.D. In. (mm)	Nominal Recovered Wall Thickness In. (mm)	PC Length	Std. Pkg. Qty.*	Black
3/64"	.046" (1.2)	.023" (0.6)	.016" (0.4)	4' (1.2M)	25 Pcs.	HSTTD05-48-Q
1/16"	.063" (1.6)	.031" (0.8)	.017" (0.4)	4' (1.2M)	25 Pcs.	HSTTD06-48-Q**
3/32"	.093" (2.4)	.046" (1.2)	.020" (0.5)	4' (1.2M)	25 Pcs.	HSTTD09-48-Q**
1/8"	.125" (3.2)	.062" (1.6)	.020" (0.5)	4' (1.2M)	25 Pcs.	HSTTD12-48-Q**
3/16"	.187" (4.8)	.093" (2.4)	.020" (0.5)	4' (1.2M)	25 Pcs.	HSTTD19-48-Q**
1/4"	.250" (6.4)	.125" (3.2)	.025" (0.6)	4' (1.2M)	25 Pcs.	HSTTD25-48-Q**
3/8"	.375" (9.5)	.187" (4.8)	.025" (0.6)	4' (1.2M)	25 Pcs.	HSTTD38-48-Q**
1/2"	.500" (12.7)	.250" (6.4)	.025" (0.6)	4' (1.2M)	25 Pcs.	HSTTD50-48-Q**
3/4"	.750" (19.0)	.375" (9.5)	.030" (0.8)	4' (1.2M)	5 Pcs.	HSTTD75-48-5**
1"	1.00" (25.4)	.500" (12.7)	.035" (0.9)	4' (1.2M)	5 Pcs.	‡HSTTD100-48-5**

*Order in multiples of Std. Pkg. Qty.

**For Colors, add C (Clear), 2 (Red), 4 (Yellow), 5 (Green), 6 (Blue) and 10 (White) to end of part number package suffix (Example: HSTTD05-48-QC).

‡ For Colors, add C (Clear), 2 (Red) and 10 (White) to end of part number package suffix (Example: HSTTD100-48-5C)

Ordering Information — HSTT in Pre-Packaged Cut Pieces (Bulk Qty. Only)

1/2" (12.7mm) Lengths

Nominal Diameter In.	Bulk Pkg. Qty.*	Bulk Ctn. Qty.	Black	Clear
1/8"	10,000 Pcs.	—	HSTT12-5K	HSTT12-.5KC
3/16"	10,000 Pcs.	—	HSTT19-5K	HSTT19-.5KC
1/4"	5,000 Pcs.	—	HSTT25-5F	HSTT25-.5FC

*Order in multiples of Bulk Pkg. Qty.



1" (25.4mm) Lengths

Nominal Diameter In.	Bulk Pkg. Qty.*	Bulk Ctn. Qty.	Black	Clear
1/8"	10,000 Pcs.	—	HSTT12-1K	HSTT12-1KC
3/16"	10,000 Pcs.	—	HSTT19-1K	HSTT19-1KC
1/4"	5,000 Pcs.	—	HSTT25-1F	HSTT25-1FC

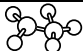

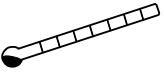





*Order in multiples of Bulk Pkg. Qty.

Flexible Polyolefin VW-1 *DRY-SHRINK™* Heat Shrink Tubing

HSTTV Heat Shrink in 4' (1.2M) Pieces

- For dry locations
- Highly flame retardant
- Meets UL VW-1 rating
- Fast Shrink Time



Type	Materials		
HSTTV	 Polyolefin Cross-Linked		
 600V	 -67°F to 257°F (-55°C to 125°C)	 AMS-DTL-23053/5 Class 3	 VW-1 OFT
 Flexible	 Shrink Ratio: 2:1	 Highly Flame Retardant VW-1	



HSTTV in Bulk Packages — Small Reels & 4' (1.2M) Pcs.

Part Number	Nominal Diameter In.	Minimum Expanded I.D. In. (mm)	Maximum Recovered I.D. In. (mm)	Nominal Recovered Wall Thickness In. (mm)	Length	Bulk Pkg. Qty.*	Bulk Ctn. Qty.
HSTTV05-48-Q HSTTV05-48-TL HSTTV05-C	3/64"	.046" (1.2)	.023" (0.6)	.020" (0.5)	4' (1.2M) 4' (1.2M) 1 Reel, 100' (30.5M)	25 Pcs. 250 Pcs. 1 Reel	— — 10 Reels
HSTTV06-48-Q HSTTV06-48-TL HSTTV06-C	1/16"	.063" (1.6)	.031" (0.8)	.020" (0.5)	4' (1.2M) 4' (1.2M) 1 Reel, 100' (30.5M)	25 Pcs. 250 Pcs. 1 Reel	— — 10 Reels
HSTTV09-48-Q HSTTV09-48-TL HSTTV09-C	3/32"	.093" (2.4)	.046" (1.2)	.020" (0.5)	4' (1.2M) 4' (1.2M) 1 Reel, 100' (30.5M)	25 Pcs. 250 Pcs. 1 Reel	— — 10 Reels
HSTTV12-48-Q HSTTV12-48-TL HSTTV12-C	1/8"	.125" (3.2)	.062" (1.6)	.020" (0.5)	4' (1.2M) 4' (1.2M) 1 Reel, 100' (30.5M)	25 Pcs. 250 Pcs. 1 Reel	— — 10 Reels
HSTTV19-48-Q HSTTV19-48-TL HSTTV19-C	3/16"	.187" (4.8)	.093" (2.4)	.020" (0.5)	4' (1.2M) 4' (1.2M) 1 Reel, 100' (30.5M)	25 Pcs. 250 Pcs. 1 Reel	— — 10 Reels
HSTTV25-48-Q HSTTV25-48-TL HSTTV25-C	1/4"	.250" (6.4)	.125" (3.2)	.025" (0.6)	4' (1.2M) 4' (1.2M) 1 Reel, 100' (30.5M)	25 Pcs. 250 Pcs. 1 Reel	— — 10 Reels
HSTTV38-48-Q HSTTV38-48-TL HSTTV38-C	3/8"	.375" (9.5)	.187" (4.8)	.025" (0.6)	4' (1.2M) 4' (1.2M) 1 Reel, 100' (30.5M)	25 Pcs. 250 Pcs. 1 Reel	— — 10 Reels
HSTTV50-48-Q HSTTV50-48-T HSTTV50-C	1/2"	.500" (12.7)	.250" (6.4)	.025" (0.6)	4' (1.2M) 4' (1.2M) 1 Reel, 100' (30.5M)	25 Pcs. 200 Pcs. 1 Reel	— — 10 Reels
HSTTV75-48-5 HSTTV75-48-CQ HSTTV75-C	3/4"	.750" (19.0)	.375" (9.5)	.030" (0.8)	4' (1.2M) 4' (1.2M) 1 Reel, 100' (30.5M)	5 Pcs. 125 Pcs. 1 Reel	— — 10 Reels
HSTTV100-48-5 HSTTV100-48-LQ HSTTV100-C	1"	1.00" (25.4)	.500" (12.7)	.035" (0.9)	4' (1.2M) 4' (1.2M) 1 Reel, 100' (30.5M)	5 Pcs. 75 Pcs. 1 Reel	— — 2 Reels
HSTTV150-48-5 HSTTV150-C	1 1/2"	1.50" (38.1)	.750" (19.0)	.040" (1.0)	4' (1.2M) 1 Reel, 100' (30.5M)	5 Pcs. 1 Reel	— 2 Reels

* Order in multiples of Bulk Pkg. Qty.


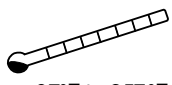
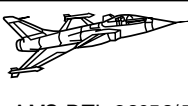




‡ Maximum UL Temperature Range is 125° C

Flexible Polyolefin VW-1 *DRY-SHRINK*™ Heat Shrink Tubing

HSTTV Heat Shrink Reels

- For dry locations
- Highly flame retardant
- Meets UL VW-1 rating
- Fast Shrink Time



Type	Materials		
HSTTV	Polyolefin Cross-Linked		
 600V	 -67°F to 257°F (-55°C to 125°C [†])	 AMS-DTL-23053/5 Class 3	 VW-1 OFT
 Flexible	 Shrink Ratio: 2:1	 Highly Flame Retardant VW-1	



HSTTV in Bulk Packages — Large Reels

Nominal Diameter In.	Length	Black	Red	Yellow	Blue	White	Bulk Pkg. Qty.*	Bulk Ctn. Qty.
3/64"	1 Reel, 1000' (304.8M)	HSTTV05-M	HSTTV05-M2	HSTTV05-M4	HSTTV05-M6	HSTTV05-M10	1 Reel	2 Reels
1/16"	1 Reel, 1000' (304.8M)	HSTTV06-M	HSTTV06-M2	HSTTV06-M4	HSTTV06-M6	HSTTV06-M10	1 Reel	2 Reels
3/32"	1 Reel, 1000' (304.8M)	HSTTV09-M	HSTTV09-M2	HSTTV09-M4	HSTTV09-M6	HSTTV09-M10	1 Reel	2 Reels
1/8"	1 Reel, 1000' (304.8M)	HSTTV12-M	HSTTV12-M2	HSTTV12-M4	HSTTV12-M6	HSTTV12-M10	1 Reel	2 Reels
3/16"	1 Reel, 1000' (304.8M)	HSTTV19-M	HSTTV19-M2	HSTTV19-M4	HSTTV19-M6	HSTTV19-M10	1 Reel	2 Reels
1/4"	1 Reel, 500' (152.4M)	HSTTV25-D	HSTTV25-D2	HSTTV25-D4	HSTTV25-D6	HSTTV25-D10	1 Reel	2 Reels
3/8"	1 Reel, 200' (61.0M)	HSTTV38-T	HSTTV38-T2	HSTTV38-T4	HSTTV38-T6	HSTTV38-T10	1 Reel	2 Reels
1/2"	1 Reel, 200' (61.0M)	HSTTV50-T	HSTTV50-T2	HSTTV50-T4	HSTTV50-T6	HSTTV50-T10	1 Reel	2 Reels
3/4"	1 Reel, 200' (61.0M)	HSTTV75-T	HSTTV75-T2	HSTTV75-T4	HSTTV75-T6	HSTTV75-T10	1 Reel	2 Reels

* Order in multiples of Bulk Pkg. Qty.

† Maximum UL Temperature Range is 125° C.

HSTTV Heat Shrink in 25' (7.5M) Reels



Ordering Information

HSTTV in Standard Packages of 25' (7.5M) Reels — Black Only

Part Number	Nominal Diameter In.	Minimum Expanded I.D. In. (mm)	Maximum Recovered I.D. In. (mm)	Nominal Recovered Wall Thickness In. (mm)	Length	Std. Pkg. Qty.*	Std. Ctn. Qty.
HSTTV05-Q	3/64"	.046" (1.2)	.023" (0.6)	.020" (0.5)	1 Reel, 25' (7.5M)	1 Reel	10 Reels
HSTTV06-Q	1/16"	.063" (1.6)	.031" (0.8)	.020" (0.5)	1 Reel, 25' (7.5M)	1 Reel	10 Reels
HSTTV09-Q	3/32"	.093" (2.4)	.046" (1.2)	.020" (0.5)	1 Reel, 25' (7.5M)	1 Reel	10 Reels
HSTTV12-Q	1/8"	.125" (3.2)	.062" (1.6)	.020" (0.5)	1 Reel, 25' (7.5M)	1 Reel	10 Reels
HSTTV19-Q	3/16"	.187" (4.8)	.093" (2.4)	.020" (0.5)	1 Reel, 25' (7.5M)	1 Reel	10 Reels
HSTTV25-Q	1/4"	.250" (6.4)	.125" (3.2)	.025" (0.6)	1 Reel, 25' (7.5M)	1 Reel	10 Reels
HSTTV38-Q	3/8"	.375" (9.5)	.187" (4.8)	.025" (0.6)	1 Reel, 25' (7.5M)	1 Reel	10 Reels
HSTTV50-Q	1/2"	.500" (12.7)	.250" (6.4)	.025" (0.6)	1 Reel, 25' (7.5M)	1 Reel	10 Reels
HSTTV75-Q	3/4"	.750" (19.0)	.375" (9.5)	.030" (0.8)	1 Reel, 25' (7.5M)	1 Reel	10 Reels
HSTTV100-Q	1"	1.00" (25.4)	.500" (12.7)	.035" (0.9)	1 Reel, 25' (7.5M)	1 Reel	2 Reels

* Order in multiples of Std. Pkg. Qty.

Standard Packs of Heat Shrink — 6" (152.4mm) Pieces



Ordering Information

HSTTV — Single Diameter — Black Only

Part Number	Nominal Diameter In.	Minimum Expanded I.D. In. (mm)	Maximum Recovered I.D. In. (mm)	Total No. Pcs.	Black No. Pcs.	Std. Pkg. Qty.*	Std. Ctn. Qty.
HSTTV05-Y	3/64"	.046" (1.2)	.023" (0.6)	26	26	1 Pkg.	10 Pkgs.
HSTTV06-Y	1/16"	.063" (1.6)	.031" (0.8)	26	26	1 Pkg.	10 Pkgs.
HSTTV09-Y	3/32"	.093" (2.4)	.046" (1.2)	24	24	1 Pkg.	10 Pkgs.
HSTTV12-Y	1/8"	.125" (3.2)	.062" (1.6)	20	20	1 Pkg.	10 Pkgs.
HSTTV19-Y	3/16"	.187" (4.8)	.093" (2.4)	18	18	1 Pkg.	10 Pkgs.
HSTTV25-Y	1/4"	.250" (6.4)	.125" (3.2)	14	14	1 Pkg.	10 Pkgs.
HSTTV38-Y	3/8"	.375" (9.5)	.187" (4.8)	12	12	1 Pkg.	10 Pkgs.
HSTTV50-Y	1/2"	.500" (12.7)	.250" (6.4)	10	10	1 Pkg.	10 Pkgs.
HSTTV75-Y	3/4"	.750" (19.0)	.375" (9.5)	8	8	1 Pkg.	10 Pkgs.
HSTTV100-Y	1"	1.00" (25.4)	.500" (12.7)	6	6	1 Pkg.	10 Pkgs.

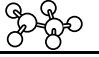
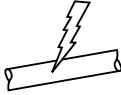
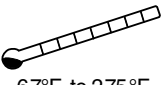




* Order in multiples of Std. Pkg. Qty.

Semi-Rigid Polyolefin *DRY-SHRINK*™ Heat Shrink Tubing

HSTTR Heat Shrink

- For dry locations
- Semi-rigid tubing offers excellent protection for delicate components
- Provides strain relief for soldered and crimped connections



Type	Materials	
HSTTR	 Polyolefin Cross-Linked	
 600V	 -67°F to 275°F (-55°C to 135°C)	 AMS-DTL-23053/6 Class 1
 Semi-Rigid	 Shrink Ratio: 2:1	 Flame Retardant



Ordering Information — HSTTR in Standard Packages — 4' (1.2M) Pieces

Part Number	Nominal Diameter In.	Minimum Expanded I.D. In. (mm)	Maximum Recovered I.D. In. (mm)	Nominal Recovered Wall Thickness In. (mm)	Length	Std. Pkg. Qty.*
HSTTR05-48-Q	3/64"	.046" (1.2)	.023" (0.6)	.020" (0.5)	1 Pc., 4' (1.2M)	25 Pcs.
HSTTR06-48-Q	1/16"	.063" (1.6)	.031" (0.8)	.020" (0.5)	1 Pc., 4' (1.2M)	25 Pcs.
HSTTR09-48-Q	3/32"	.093" (2.4)	.046" (1.2)	.020" (0.5)	1 Pc., 4' (1.2M)	25 Pcs.
HSTTR12-48-Q	1/8"	.125" (3.2)	.062" (1.6)	.020" (0.5)	1 Pc., 4' (1.2M)	25 Pcs.
HSTTR19-48-Q	3/16"	.187" (4.8)	.093" (2.4)	.025" (0.6)	1 Pc., 4' (1.2M)	25 Pcs.
HSTTR25-48-Q	1/4"	.250" (6.4)	.125" (3.2)	.025" (0.6)	1 Pc., 4' (1.2M)	25 Pcs.
HSTTR38-48-Q	3/8"	.375" (9.5)	.187" (4.8)	.030" (0.8)	1 Pc., 4' (1.2M)	25 Pcs.
HSTTR50-48-5	1/2"	.500" (12.7)	.250" (6.4)	.030" (0.8)	1 Pc., 4' (1.2M)	5 Pcs.
HSTTR75-48-5	3/4"	.750" (19.0)	.375" (9.5)	.030" (0.8)	1 Pc., 4' (1.2M)	5 Pcs.
HSTTR100-48-5	1"	1.00" (25.4)	.500" (12.7)	.035" (0.9)	1 Pc., 4' (1.2M)	5 Pcs.

* Order in multiples of Std. Pkg. Qty.

HSTTP Heat Shrink

- For dry locations
- Flexible, highly flame retardant tubing
- Good resistance to most fuels and oils
- Good cut through and solder resistance



Type	Materials	
HSTTP		Polyvinyl Chloride Cross-Linked
 600V	 -4°F to 221°F (-20°C to 105°C)	
 Flexible	 Shrink Ratio: 2:1	 Highly Flame Retardant VW-1



Ordering Information — HSTTP in Standard Packages — Reels

Part Number	Nominal Diameter In.	Minimum Expanded I.D. In. (mm)	Maximum Recovered I.D. In. (mm)	Nominal Recovered Wall Thickness In. (mm)	Length	Std. Pkg. Qty.*	Std. Ctn. Qty.
HSTTP05-Q HSTTP05-C HSTTP05-M	3/64"	.046" (1.2)	.023" (0.6)	.020" (0.5)	1 Reel, 25' (7.5M) 1 Reel, 100' (30.5M) 1 Reel, 1000' (304.8M)	1 Reel 1 Reel 1 Reel	10 Reels 2 Reels 2 Reels
HSTTP06-Q HSTTP06-C HSTTP06-M	1/16"	.063" (1.6)	.031" (0.8)	.020" (0.5)	1 Reel, 25' (7.5M) 1 Reel, 100' (30.5M) 1 Reel, 1000' (304.8M)	1 Reel 1 Reel 1 Reel	10 Reels 2 Reels 2 Reels
HSTTP09-Q HSTTP09-C HSTTP09-M	3/32"	.093" (2.4)	.046" (1.2)	.025" (0.6)	1 Reel, 25' (7.5M) 1 Reel, 100' (30.5M) 1 Reel, 1000' (304.8M)	1 Reel 1 Reel 1 Reel	10 Reels 2 Reels 2 Reels
HSTTP12-Q HSTTP12-C HSTTP12-M	1/8"	.125" (3.2)	.062" (1.6)	.025" (0.6)	1 Reel, 25' (7.5M) 1 Reel, 100' (30.5M) 1 Reel, 1000' (304.8M)	1 Reel 1 Reel 1 Reel	10 Reels 2 Reels 2 Reels
HSTTP19-Q HSTTP19-C HSTTP19-M	3/16"	.187" (4.8)	.093" (2.4)	.025" (0.6)	1 Reel, 25' (7.5M) 1 Reel, 100' (30.5M) 1 Reel, 1000' (304.8M)	1 Reel 1 Reel 1 Reel	10 Reels 2 Reels 2 Reels
HSTTP25-Q HSTTP25-C HSTTP25-D	1/4"	.250" (6.4)	.125" (3.2)	.025" (0.6)	1 Reel, 25' (7.5M) 1 Reel, 100' (30.5M) 1 Reel, 500' (152.4M)	1 Reel 1 Reel 1 Reel	10 Reels 2 Reels 2 Reels
HSTTP38-Q HSTTP38-C HSTTP38-T	3/8"	.375" (9.5)	.187" (4.8)	.030" (0.8)	1 Reel, 25' (7.5M) 1 Reel, 100' (30.5M) 1 Reel, 200' (61.0M)	1 Reel 1 Reel 1 Reel	10 Reels 2 Reels 2 Reels
HSTTP50-Q HSTTP50-C	1/2"	.500" (12.7)	.250" (6.4)	.030" (0.8)	1 Reel, 25' (7.5M) 1 Reel, 100' (30.5M)	1 Reel 1 Reel	10 Reels 2 Reels
HSTTP75-Q HSTTP75-C	3/4"	.750" (19.0)	.375" (9.5)	.035" (0.9)	1 Reel, 25' (7.5M) 1 Reel, 100' (30.5M))	1 Reel 1 Reel	10 Reels 2 Reels
HSTTP100-Q HSTTP100-C	1"	1.00" (25.4)	.500" (12.7)	.040" (1.0)	1 Reel, 25' (7.5M) 1 Reel, 100' (30.5M)	1 Reel 1 Reel	2 Reels 2 Reels
HSTTP150-Q HSTTP150-C	1 1/2"	1.50" (38.1)	.750" (19.0)	.045" (1.1)	1 Reel, 25' (7.5M) 1 Reel, 100' (30.5M)	1 Reel 1 Reel	2 Reels 2 Reels
HSTTP200-X HSTTP200-Q	2"	2.00" (50.8)	1.00" (25.4)	.050" (1.3)	1 Reel, 10' (3.0m) 1 Reel, 25' (7.5M)	1 Reel 1 Reel	2 Reels 2 Reels

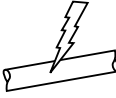
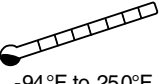




* Order in multiples of Std. Pkg. Qty.

Neoprene *DRY-SHRINK*™ Heat Shrink Tubing

HSTTN Heat Shrink

- For dry locations
- Highly flexible tubing
- Offers excellent chemical resistance, especially to fuels and oils



Type	Materials	
HSTTN	Elastomer Neoprene Cross-Linked	
 600V	 -94°F to 250°F (-70°C to 121°C)	 AMS-DTL-23053/1 Class 2
 Highly Flexible	 Shrink Ratio▲: 2:1	 Highly Flame Retardant



Ordering Information — HSTTN in Standard Packages — 25' (7.5M) and 100' (30.5M) Reels

Part Number	Nominal Diameter In.	Minimum Expanded I.D. In. (mm)	Maximum Recovered I.D. In. (mm)	Nominal Recovered Wall Thickness In. (mm)	Length	Std. Pkg. Qty.*	Std. Ctn. Qty.
HSTTN25-C	1/4"	.250" (6.4)	.143" (3.6)	.035" (0.9)	1 Reel, 100' (30.5M)	1 Reel	2 Reels
HSTTN38-C	3/8"	.375" (9.5)	.211" (5.4)	.040" (1.0)	1 Reel, 100' (30.5M)	1 Reel	2 Reels
HSTTN50-C	1/2"	.500" (12.7)	.286" (7.3)	.048" (1.2)	1 Reel, 100' (30.5M)	1 Reel	2 Reels
HSTTN63-C	5/8"	.625" (15.9)	.357" (9.1)	.052" (1.3)	1 Reel, 100' (30.5M)	1 Reel	2 Reels
HSTTN75-C	3/4"	.750" (19.0)	.428" (10.9)	.057" (1.5)	1 Reel, 100' (30.5M)	1 Reel	2 Reels
HSTTN88-C	7/8"	.875" (22.2)	.500" (12.7)	.065" (1.7)	1 Reel, 100' (30.5M)	1 Reel	2 Reels
HSTTN100-C	1"	1.00" (25.4)	.570" (14.5)	.070" (1.8)	1 Reel, 100' (30.5M)	1 Reel	2 Reels
HSTTN125-C	1 1/4"	1.25" (31.8)	.714" (18.1)	.087" (2.2)	1 Reel, 100' (30.5M)	1 Reel	2 Reels
HSTTN150-C	1 1/2"	1.50" (38.1)	.857" (21.8)	.095" (2.4)	1 Reel, 100' (30.5M)	1 Reel	2 Reels
HSTTN175-C	1 3/4"	1.75" (44.5)	1.00" (25.4)	.107" (2.7)	1 Reel, 100' (30.5M)	1 Reel	2 Reels
HSTTN200-Q	2"	2.00" (50.8)	1.140" (29.0)	.110" (2.8)	1 Reel, 25' (7.5M)	1 Reel	2 Reels
HSTTN300-Q	3"	3.00" (76.2)	1.710" (43.4)	.125" (3.8)	1 Reel, 25' (7.5M)	1 Reel	2 Reels

* Order in multiples of Std. Pkg. Qty.

▲ Shrink ratios are approximations; please refer to above ordering information for the exact Min. Expanded and Max. Recovered I.D.'s.

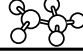
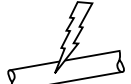
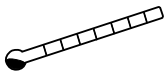


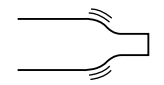

TFE TEFLON[‡] DRY-SHRINK™ Heat Shrink Tubing

HSTTT (TFE) Heat Shrink



- For dry locations
- Semi-rigid, highly heat resistant
- Offers the widest temperature range of any plastic material
- Also available with 4:1 shrink ratio
- Color is milky clear

NOTE: Special instructions on [page 28](#)

Type	Materials	
HSTTT HSTTT4X	 Polytetrafluoroethylene	
 600V	 -88°F to 482°F (-67°C to 250°C)	 AMS-DTL-23053/12 Class 3 or Class 5
 Semi-Rigid	 Shrink Ratio▲: 2:1 or 4:1	 Non-Flammable



Ordering Information — 2:1 Shrink Ratio (Class 3) — HSTTT in Standard Packages — 4' (1.2M) Pcs.

Part Number	Nominal Diameter	Minimum Expanded I.D. In. (mm)	Maximum Recovered I.D. In. (mm)	Nominal Recovered Wall Thickness In. (mm)	Length	Std. Pkg. Qty.*
HSTTT03-48-Q	30 AWG	.034" (0.9)	.015" (0.4)	.009" (0.2)	1 Pc., 4' (1.2M)	25 Pcs.
HSTTT04-48-Q	28 AWG	.038" (1.0)	.018" (0.5)	.009" (0.2)	1 Pc., 4' (1.2M)	25 Pcs.
HSTTT046-48-Q	26 AWG	.046" (1.2)	.022" (0.5)	.010" (0.3)	1 Pc., 4' (1.2M)	25 Pcs.
HSTTT05-48-Q	24 AWG	.050" (1.3)	.027" (0.7)	.010" (0.3)	1 Pc., 4' (1.2M)	25 Pcs.
HSTTT055-48-Q	22 AWG	.055" (1.4)	.032" (0.8)	.012" (0.3)	1 Pc., 4' (1.2M)	25 Pcs.
HSTTT06-48-Q	20 AWG	.060" (1.5)	.039" (1.0)	.012" (0.3)	1 Pc., 4' (1.2M)	25 Pcs.
HSTTT08-48-Q	18 AWG	.076" (1.9)	.049" (1.2)	.012" (0.3)	1 Pc., 4' (1.2M)	25 Pcs.
HSTTT09-48-Q	16 AWG	.093" (2.3)	.061" (1.6)	.012" (0.3)	1 Pc., 4' (1.2M)	25 Pcs.
HSTTT12-48-Q	14 AWG	.120" (3.0)	.072" (1.8)	.012" (0.3)	1 Pc., 4' (1.2M)	25 Pcs.
HSTTT15-48-Q	12 AWG	.150" (3.8)	.089" (2.3)	.012" (0.3)	1 Pc., 4' (1.2M)	25 Pcs.
HSTTT19-48-Q	10 AWG	.191" (4.9)	.112" (2.8)	.012" (0.3)	1 Pc., 4' (1.2M)	25 Pcs.
HSTTT24-48-Q	8 AWG	.240" (6.0)	.141" (3.6)	.015" (0.4)	1 Pc., 4' (1.2M)	25 Pcs.
HSTTT30-48-Q	6 AWG	.302" (7.7)	.178" (4.5)	.015" (0.4)	1 Pc., 4' (1.2M)	25 Pcs.
HSTTT37-48-Q	4 AWG	.370" (9.4)	.224" (5.7)	.015" (0.4)	1 Pc., 4' (1.2M)	25 Pcs.
HSTTT43-48-Q	2 AWG	.430" (10.9)	.278" (7.0)	.015" (0.4)	1 Pc., 4' (1.2M)	25 Pcs.
HSTTT47-48-Q	0 AWG	.470" (11.9)	.347" (8.8)	.015" (0.4)	1 Pc., 4' (1.2M)	25 Pcs.
HSTTT56-48-5	9/16"	.560" (14.2)	.399" (10.1)	.015" (0.4)	1 Pc., 4' (1.2M)	5 Pcs.
HSTTT66-48-5	5/8"	.655" (16.6)	.462" (11.7)	.018" (0.5)	1 Pc., 4' (1.2M)	5 Pcs.
HSTTT75-48-5	3/4"	.750" (19.0)	.524" (13.3)	.018" (0.5)	1 Pc., 4' (1.2M)	5 Pcs.
HSTTT93-48-5	15/16"	.930" (23.6)	.655" (16.6)	.020" (0.5)	1 Pc., 4' (1.2M)	5 Pcs.
HSTTT112-48-5	1 1/8"	1.125" (28.6)	.786" (20.0)	.025" (0.6)	1 Pc., 4' (1.2M)	5 Pcs.
HSTTT131-48-2	1 5/16"	1.310" (33.3)	.911" (23.1)	.030" (0.8)	1 Pc., 4' (1.2M)	2 Pcs.
HSTTT150-48-2	1 1/2"	1.500" (38.1)	1.036" (26.3)	.030" (0.8)	1 Pc., 4' (1.2M)	2 Pcs.

Ordering Information — 4:1 Shrink Ratio (Class 5) — HSTTT4X in Standard Packages — 4' (1.2M) Pcs.

Part Number	Nominal Diameter In. (mm)	Minimum Expanded I.D. In. (mm)	Maximum Recovered I.D. In. (mm)	Nominal Recovered Wall Thickness In. (mm)	Length	Std. Pkg. Qty.*
HSTTT4X08-48-Q	5/64" (2.0)	.078" (2.0)	.025" (0.6)	.009" (0.2)	1 Pc., 4' (1.2M)	25 Pcs.
HSTTT4X12-48-Q	1/8" (3.3)	.125" (3.2)	.037" (0.9)	.012" (0.3)	1 Pc., 4' (1.2M)	25 Pcs.
HSTTT4X25-48-Q	1/4" (6.3)	.250" (6.4)	.063" (1.6)	.012" (0.3)	1 Pc., 4' (1.2M)	25 Pcs.
HSTTT4X38-48-Q	3/8" (9.5)	.375" (9.5)	.096" (2.4)	.012" (0.3)	1 Pc., 4' (1.2M)	25 Pcs.
HSTTT4X50-48-5	1/2" (12.7)	.500" (12.7)	.144" (3.7)	.015" (0.4)	1 Pc., 4' (1.2M)	5 Pcs.
HSTTT4X63-48-5	5/8" (15.9)	.625" (15.9)	.178" (4.5)	.015" (0.4)	1 Pc., 4' (1.2M)	5 Pcs.
HSTTT4X75-48-5	3/4" (19.1)	.750" (19.1)	.224" (5.7)	.015" (0.4)	1 Pc., 4' (1.2M)	5 Pcs.
HSTTT4X88-48-5	7/8" (22.2)	.875" (22.2)	.244" (6.2)	.015" (0.4)	1 Pc., 4' (1.2M)	5 Pcs.
HSTTT4X100-48-5	1" (25.4)	1.00" (25.4)	.278" (7.0)	.015" (0.4)	1 Pc., 4' (1.2M)	5 Pcs.
HSTTT4X125-48-5	1 1/4" (31.8)	1.25" (31.8)	.347" (8.8)	.015" (0.4)	1 Pc., 4' (1.2M)	5 Pcs.

* Order in multiples of Std. Pkg. Qty.

▲ Shrink ratios are approximations; please refer to above ordering information for the exact Min. Expanded and Max. Recovered I.D.'s.


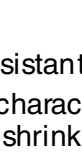

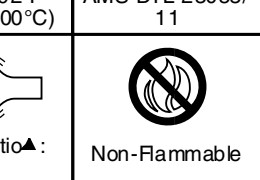
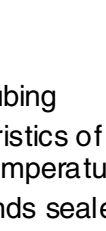
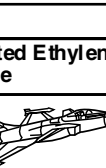

‡ TEFLON is a registered trademark of E.I. DuPont.

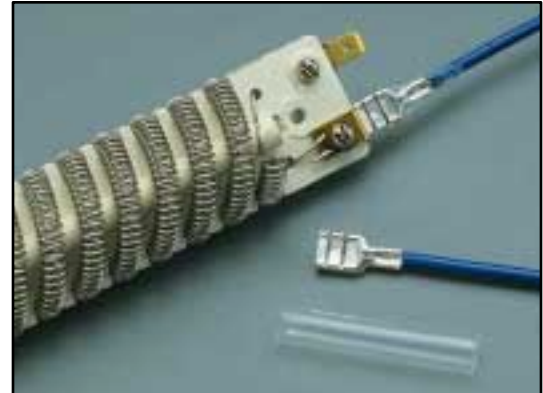
FEP TEFLON[‡] DRY-SHRINK™ Heat Shrink Tubing

HSTTF (FEP) Heat Shrink

- For dry locations
- Semi-rigid, highly heat resistant tubing
- Offers most of the same characteristics of HSTTT found on [page 17](#), but has a lower shrink temperature
- Tubing can be welded and tube ends sealed by melting
- Color is clear



Type	Materials	
HSTTF	 Fluorinated Ethylene Propylene	
 600V	 -88°F to 392°F (-67°C to 200°C)	 AMS-DTL-23053/ 11
 Semi-Rigid	 Shrink Ratio▲: 1.3:1	 Non-Flammable



Ordering Information — HSTTF in Standard Packages — 4' (1.2M) Pieces

Part Number	Nominal Diameter	Minimum Expanded I.D. In. (mm)	Maximum Recovered I.D. In. (mm)	Nominal Recovered Wall Thickness In. (mm)	Length	Std. Pkg. Qty.*
HSTTF03-48-Q	24 AWG	.031" (0.8)	.027" (0.7)	.008" (0.2)	1 Pc., 4' (1.2M)	25 Pcs.
HSTTF04-48-Q	22 AWG	.036" (0.9)	.032" (0.8)	.008" (0.2)	1 Pc., 4' (1.2M)	25 Pcs.
HSTTF05-48-Q	20 AWG	.045" (1.1)	.039" (1.0)	.008" (0.2)	1 Pc., 4' (1.2M)	25 Pcs.
HSTTF06-48-Q	18 AWG	.060" (1.5)	.049" (1.2)	.008" (0.2)	1 Pc., 4' (1.2M)	25 Pcs.
HSTTF08-48-Q	16 AWG	.075" (1.9)	.061" (1.5)	.009" (0.2)	1 Pc., 4' (1.2M)	25 Pcs.
HSTTF09-48-Q	14 AWG	.092" (2.3)	.072" (1.8)	.009" (0.2)	1 Pc., 4' (1.2M)	25 Pcs.
HSTTF12-48-Q	12 AWG	.115" (2.9)	.089" (2.2)	.009" (0.2)	1 Pc., 4' (1.2M)	25 Pcs.
HSTTF14-48-Q	10 AWG	.141" (3.6)	.114" (2.9)	.010" (0.3)	1 Pc., 4' (1.2M)	25 Pcs.
HSTTF16-48-Q	9 AWG	.158" (4.0)	.124" (3.2)	.010" (0.3)	1 Pc., 4' (1.2M)	25 Pcs.
HSTTF18-48-Q	8 AWG	.180" (4.6)	.143" (3.6)	.010" (0.3)	1 Pc., 4' (1.2M)	25 Pcs.
HSTTF20-48-Q	7 AWG	.197" (5.0)	.158" (4.0)	.011" (0.3)	1 Pc., 4' (1.2M)	25 Pcs.
HSTTF23-48-Q	6 AWG	.225" (5.7)	.180" (4.6)	.011" (0.3)	1 Pc., 4' (1.2M)	25 Pcs.
HSTTF25-48-Q	5 AWG	.248" (6.3)	.198" (5.0)	.011" (0.3)	1 Pc., 4' (1.2M)	25 Pcs.
HSTTF29-48-Q	4 AWG	.290" (7.4)	.226" (5.7)	.011" (0.3)	1 Pc., 4' (1.2M)	25 Pcs.
HSTTF31-48-Q	3 AWG	.310" (7.9)	.249" (6.3)	.011" (0.3)	1 Pc., 4' (1.2M)	25 Pcs.
HSTTF36-48-Q	2 AWG	.365" (9.3)	.280" (7.1)	.012" (0.3)	1 Pc., 4' (1.2M)	25 Pcs.
HSTTF40-48-Q	1 AWG	.400" (10.2)	.311" (7.9)	.012" (0.3)	1 Pc., 4' (1.2M)	25 Pcs.
HSTTF44-48-Q	0 AWG	.440" (11.2)	.349" (8.9)	.012" (0.3)	1 Pc., 4' (1.2M)	25 Pcs.
HSTTF50-48-5	1/2"	.500" (12.7)	.383" (9.7)	.015" (0.4)	1 Pc., 4' (1.2M)	5 Pcs.
HSTTF66-48-5	5/8"	.666" (16.9)	.510" (13.0)	.020" (0.5)	1 Pc., 4' (1.2M)	5 Pcs.
HSTTF100-48-5	1"	1.00" (25.4)	.764" (19.4)	.030" (0.8)	1 Pc., 4' (1.2M)	5 Pcs.
HSTTF133-48-2	1 1/3"	1.33" (33.8)	1.02" (25.9)	.035" (0.9)	1 Pc., 4' (1.2M)	2 Pcs.
HSTTF200-48-2	2"	2.00" (50.8)	1.52" (38.6)	.035" (0.9)	1 Pc., 4' (1.2M)	2 Pcs.


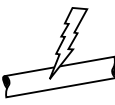






* Order in multiples of Std. Pkg. Qty.

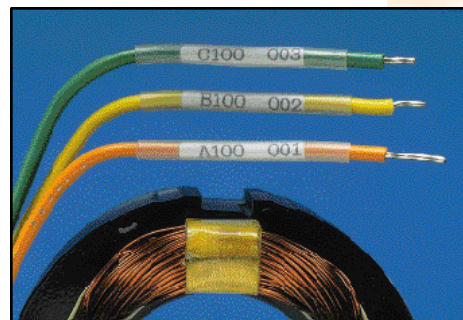
▲ Shrink ratios are approximations; please refer to above ordering information for the exact Min. Expanded and Max. Recovered I.D.'s.

HSTTK KYNAR‡ Heat Shrink

- For dry locations
- Semi-rigid, highly heat resistant
- Offers excellent chemical and abrasion resistance
- Use in high temperature or solvent rich environment
- Color is clear



Type	Material		
HSTTK	 Polyvinylidene Fluoride		
 600V	 -67°F to 347°F (-55°C to 175°C)	 AMS-DTL-23053/8	 VW-1
 Semi-Rigid	 Shrink Ratio▲: 2:1	 Highly Flame Retardant VW-1	



Ordering Information — HSTTK in Standard Packages — 4' (1.2M) Pieces

Part Number	Nominal Diameter In.	Minimum Expanded I.D. In. (mm)	Maximum Recovered I.D. In. (mm)	Nominal Recovered Wall Thickness In. (mm)	Length	Std. Pkg. Qty.*
HSTTK05-48-Q	3/64"	.046" (1.2)	.023" (0.6)	.010" (0.3)	1 Pc., 4' (1.2M)	25 Pcs.
HSTTK06-48-Q	1/16"	.063" (1.6)	.031" (0.8)	.010" (0.3)	1 Pc., 4' (1.2M)	25 Pcs.
HSTTK09-48-Q	3/32"	.093" (2.4)	.046" (1.2)	.010" (0.3)	1 Pc., 4' (1.2M)	25 Pcs.
HSTTK12-48-Q	1/8"	.125" (3.2)	.062" (1.6)	.010" (0.3)	1 Pc., 4' (1.2M)	25 Pcs.
HSTTK19-48-Q	3/16"	.187" (4.8)	.093" (2.4)	.010" (0.3)	1 Pc., 4' (1.2M)	25 Pcs.
HSTTK25-48-Q	1/4"	.250" (6.4)	.125" (3.2)	.010" (0.3)	1 Pc., 4' (1.2M)	25 Pcs.
HSTTK38-48-Q	3/8"	.375" (9.5)	.187" (4.8)	.012" (0.3)	1 Pc., 4' (1.2M)	25 Pcs.
HSTTK50-48-5	1/2"	.500" (12.7)	.250" (6.4)	.012" (0.3)	1 Pc., 4' (1.2M)	5 Pcs.
HSTTK75-48-5	3/4"	.750" (19.0)	.375" (9.5)	.017" (0.4)	1 Pc., 4' (1.2M)	5 Pcs.
HSTTK100-48-5	1"	1.00" (25.4)	.500" (12.7)	.019" (0.5)	1 Pc., 4' (1.2M)	5 Pcs.

* Order in multiples of Std. Pkg. Qty.

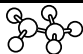

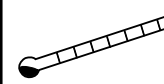




▲ Shrink ratios are approximations; please refer to above ordering information for the exact Min. Expanded and Max. Recovered I.D.'s.

Dual Wall Polyolefin **DAMP-SHRINK™** Heat Shrink Tubing

HSTTVA Heat Shrink

- For damp locations
- Flexible tubing with an adhesive inner wall which seals and protects components from moisture and corrosion
- For use when a flexible adhesive lined tubing is needed



Type	Materials	
HSTTVA	 Polyolefin Cross-Linked with Adhesive	
 600V	 -67°F to 230°F (-55°C to 110°C)	 AMS-DTL-23053/4 Class 2
 Flexible	 Shrink Ratio: 2:1	 Outer Wall Flame Retardant



Ordering Information — HSTTVA in Standard Packages — 4' (1.2M) Pieces

Part Number	Nominal Diameter In.	Minimum Expanded I.D. In. (mm)	Maximum Recovered I.D. In. (mm)	Nominal Recovered Wall Thickness In. (mm)	Length	Std. Pkg. Qty.*
HSTTVA12-48-Q	1/8"	.125" (3.2)	.062" (1.6)	.020" (0.5)	1 Pc., 4' (1.2M)	25 Pcs.
HSTTVA19-48-Q	3/16"	.187" (4.8)	.093" (2.4)	.022" (0.6)	1 Pc., 4' (1.2M)	25 Pcs.
HSTTVA25-48-Q	1/4"	.250" (6.4)	.125" (3.2)	.030" (0.8)	1 Pc., 4' (1.2M)	25 Pcs.
HSTTVA38-48-Q	3/8"	.375" (9.5)	.187" (4.8)	.031" (0.8)	1 Pc., 4' (1.2M)	25 Pcs.
HSTTVA50-48-5	1/2"	.500" (12.7)	.250" (6.4)	.032" (0.8)	1 Pc., 4' (1.2M)	5 Pcs.
HSTTVA75-48-5	3/4"	.750" (19.0)	.375" (9.5)	.037" (0.9)	1 Pc., 4' (1.2M)	5 Pcs.
HSTTVA100-48-5	1"	1.00" (25.4)	.500" (12.7)	.046" (1.2)	1 Pc., 4' (1.2M)	5 Pcs.
HSTTVA150-48-5	1 1/2"	1.50" (38.1)	.750" (19.0)	.049" (1.2)	1 Pc., 4' (1.2M)	5 Pcs.

* Order in multiples of Std. Pkg. Qty.

Standard Packs of HSTTVA Heat Shrink — 6" (152.4mm) Pieces

HSTTVA— 2:1 Adhesive Lined – Black Only – Single Diameter

Part Number	Nominal Diameter In.	Minimum Expanded I.D. In. (mm)	Maximum Recovered I.D. In. (mm)	Total No. of Pieces	Std. Pkg. Qty.*	Std. Ctn. Qty.
HSTTVA12-Y	1/8"	.125" (3.2)	.062" (1.6)	7	1 Pkg.	10 Pkgs.
HSTTVA19-Y	3/16"	.187" (4.8)	.093" (2.4)	7	1 Pkg.	10 Pkgs.
HSTTVA25-Y	1/4"	.250" (6.4)	.125" (3.2)	5	1 Pkg.	10 Pkgs.
HSTTVA38-Y	3/8"	.375" (9.5)	.187" (4.8)	4	1 Pkg.	10 Pkgs.
HSTTVA50-Y	1/2"	.500" (12.7)	.250" (6.4)	4	1 Pkg.	10 Pkgs.
HSTTVA75-Y	3/4"	.750" (19.0)	.375" (9.5)	3	1 Pkg.	10 Pkgs.
HSTTVA100-Y	1"	1.00" (25.4)	.500" (12.7)	2	1 Pkg.	10 Pkgs.

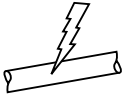
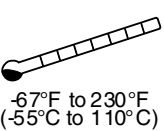


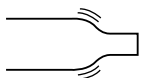



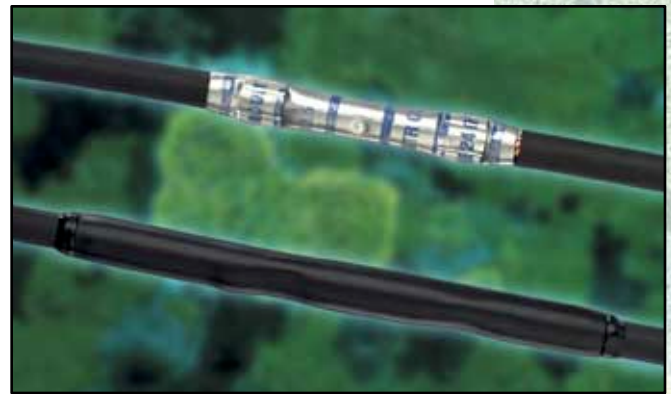
*Order in multiples of Std. Pkg. Qty.

HSTTA Heat Shrink

- For damp locations
- Flexible tubing with adhesive inner wall, seals and protects components from moisture and corrosion
- The 3:1 shrink ratio is a benefit when working with connector to cable transitions



Type	Materials	
HSTTA	Polyolefin Cross-Linked with Adhesive	
 600V	 -67°F to 230°F (-55°C to 110°C)	 AMS-DTL-23053/4 Class 3
 Flexible	 Shrink Ratio: 3:1	 Outer Wall Flame Retardant



Ordering Information — HSTTA in Standard and Bulk Packages — 4' (1.2M) Pieces

Part Number	Nominal Diameter In.	Minimum Expanded I.D. In. (mm)	Maximum Recovered I.D. In. (mm)	Nominal Recovered Wall Thickness In. (mm)	Length	Std. Pkg. Qty.*
HSTTA19-48-Q	3/16"	.187" (4.8)	.062" (1.6)	.040" (1.0)	1 Pc., 4' (1.2M)	25 Pcs.
HSTTA25-48-Q	1/4"	.250" (6.4)	.080" (2.0)	.040" (1.0)	1 Pc., 4' (1.2M)	25 Pcs.
HSTTA25-48-TL	1/4"	.250" (6.4)	.080" (2.0)	.040" (1.0)	1 Pc., 4' (1.2M)	250 Pcs.
HSTTA38-48-Q	3/8"	.375" (9.5)	.120" (3.0)	.055" (1.4)	1 Pc., 4' (1.2M)	25 Pcs.
HSTTA38-48-TL	3/8"	.375" (9.5)	.120" (3.0)	.055" (1.4)	1 Pc., 4' (1.2M)	250 Pcs.
HSTTA50-48-5	1/2"	.500" (12.7)	.160" (4.1)	.070" (1.8)	1 Pc., 4' (1.2M)	5 Pcs.
HSTTA50-48-T	1/2"	.500" (12.7)	.160" (4.1)	.070" (1.8)	1 Pc., 4' (1.2M)	200 Pcs.
HSTTA75-48-5	3/4"	.750" (19.0)	.250" (6.4)	.085" (2.2)	1 Pc., 4' (1.2M)	5 Pcs.
HSTTA75-48-C	3/4"	.750" (19.0)	.250" (6.4)	.085" (2.2)	1 Pc., 4' (1.2M)	100 Pcs.
HSTTA100-48-5	1"	1.00" (25.4)	.320" (8.1)	.100" (2.5)	1 Pc., 4' (1.2M)	5 Pcs.
HSTTA100-48-L	1"	1.00" (25.4)	.320" (8.1)	.100" (2.5)	1 Pc., 4' (1.2M)	50 Pcs.
HSTTA150-48-5	1 1/2"	1.50" (38.1)	.510" (12.9)	.100" (2.5)	1 Pc., 4' (1.2M)	5 Pcs.
HSTTA150-48-Q	1 1/2"	1.50" (38.1)	.510" (12.9)	.100" (2.5)	1 Pc., 4' (1.2M)	25 Pcs.

* Order in multiples of Std. Pkg. Qty.

▲ Shrink ratios are approximations; please refer to above ordering information for the exact Min. Expanded and Max. Recovered I.D.'s.

Standard Packs of HSTTA Heat Shrink — 6" (152.4mm) Pieces

HSTTA— Black Only – Single Diameter

Part Number	Nominal Diameter In.	Minimum Expanded I.D. In. (mm)	Maximum Recovered I.D. In. (mm)	Total No. of Pieces	Std. Pkg. Qty.*	Std. Ctn. Qty.
HSTTA19-Y	3/16"	.187" (4.8)	.062" (1.6)	6	1 Pkg.	10 Pkgs.
HSTTA25-Y	1/4"	.250" (6.4)	.080" (2.0)	4	1 Pkg.	10 Pkgs.
HSTTA38-Y	3/8"	.375" (9.5)	.120" (3.0)	3	1 Pkg.	10 Pkgs.
HSTTA50-Y	1/2"	.500" (12.7)	.160" (4.1)	3	1 Pkg.	10 Pkgs.
HSTTA75-Y	3/4"	.750" (19.0)	.250" (6.4)	2	1 Pkg.	10 Pkgs.
HSTTA100-Y	1"	1.00" (25.4)	.320" (8.1)	2	1 Pkg.	10 Pkgs.
HSTTA150-Y	1 1/2"	1.50" (38.1)	.510" (12.9)	1	1 Pkg.	10 Pkgs.



*Order in multiples of Std. Pkg. Qty.

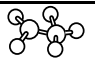

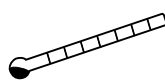


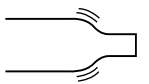
▲ Shrink ratios are approximations; please refer to above ordering information for the exact Min. Expanded and Max. Recovered I.D.'s.

Dual Wall Polyolefin *DAMP-SHRINK*™ Heat Shrink Tubing

HSTTRA Heat Shrink

- For damp locations
- Semi-rigid tubing
- Adhesive inner wall which seals and protects components from moisture and corrosion
- Provides a rugged seal from the elements



Type	Materials	
HSTTRA	 Polyolefin Cross-Linked with Adhesive	
 600V	 -67°F to 230°F (-55°C to 110°C)	 AMS-DTL-23053/4 Class 1
 Semi-Rigid	 Shrink Ratio▲: 2.5:1	



Ordering Information — HSTTRA in Standard Packages — 4' (1.2M) Pieces

Part Number	Nominal Diameter In.	Minimum Expanded I.D. In. (mm)	Maximum Recovered I.D. In. (mm)	Nominal Recovered Wall Thickness In. (mm)	Length	Std. Pkg. Qty.*
HSTTRA12-48-Q	1/8"	.125" (3.2)	.023" (0.6)	.038" (1.0)	1 Pc., 4' (1.2M)	25 Pcs.
HSTTRA19-48-Q	3/16"	.187" (4.8)	.060" (1.5)	.043" (1.1)	1 Pc., 4' (1.2M)	25 Pcs.
HSTTRA25-48-Q	1/4"	.250" (6.4)	.080" (2.0)	.047" (1.2)	1 Pc., 4' (1.2M)	25 Pcs.
HSTTRA38-48-Q	3/8"	.375" (9.5)	.135" (3.4)	.050" (1.3)	1 Pc., 4' (1.2M)	25 Pcs.
HSTTRA50-48-5	1/2"	.500" (12.7)	.195" (5.0)	.059" (1.5)	1 Pc., 4' (1.2M)	5 Pcs.
HSTTRA75-48-5	3/4"	.750" (19.0)	.313" (8.0)	.065" (1.7)	1 Pc., 4' (1.2M)	5 Pcs.
HSTTRA100-48-5	1"	1.00" (25.4)	.400" (10.6)	.075" (1.9)	1 Pc., 4' (1.2M)	5 Pcs.

* Order in multiples of Std. Pkg. Qty.

▲ Shrink ratios are approximations; please refer to above ordering information for the exact Min. Expanded and Max. Recovered I.D.'s.

Thick Wall Polyolefin WET-SHRINK™ Heat Shrink Tubing

HST Thick Wall Heat Shrink

- Suitable for wet locations and direct burial according to UL 486D
- Provides excellent protection above or below ground level
- Adhesive lined inner wall seals and protects against moisture



Type	Material		
HST	Polyolefin Cross-Linked with Adhesive		
 600V	 -85°F to 230°F (-65°C to 110°C)	 AMS-DTL-23053/15 (HST only)	
 Rigid	 Shrink Ratio ▲: 3:1	 Flame Retardant	

(Black Only)
Including HST3.0

Listed 6R72
(except HST3.0)



Thick Wall Heat Shrink Part Number System

Type	Expanded Diameter	PC Length	Package Quantity	Color
HST	0.4 - .40" (10.2mm)	3 - 3" (76.2mm)	1 - 1 Pcs.	None - Black
	0.8 - .80" (20.3mm)	6 - 6" (152.4mm)	2 - 2 Pcs.	2 - Red
	1.1 - 1.10" (27.9mm)	9 - 9" (228.6mm)	3 - 3 Pcs.	
	1.5 - 1.50" (38.1mm)	12 - 12" (304.8mm)	5 - 5 Pcs.	
	2.0 - 2.00" (50.8mm)	48 - 4' (1.2M)	X - 10 Pcs.	
	3.0 - 3.00" (76.2mm)		Q - 25 Pcs.	

Ordering Information — HST in Standard Packages

Part Number	Minimum Expanded I.D. In. (mm)	Maximum Recovered I.D. In. (mm)	Nominal Recovered Wall Thickness In. (mm)	Conductor Size Range AWG/MCM (mm²)	Minimum Cable O.D. In. (mm)	Maximum Connector O.D. In. (mm)	Tube Length In. (mm)	Std. Pkg. Qty.*	Std. Ctn. Qty.
HST0.4-3-Q‡ HST0.4-6-3 HST0.4-6-X‡ HST0.4-48-5‡	.40" (10.1)	.15" (3.8)	.09" (2.3)	#12-#6 (4-10)	0.170" (4.3)	.350" (8.9)	3" (76.2) 6" (152.4) 6" (152.4) 4' (1.2M)	25 Pcs. 3 Pcs. 10 Pcs. 5 Pcs.	100 Pcs. 30 Pcs. 100 Pcs. 20 Pcs.
HST0.8-6-3 HST0.8-6-X‡ HST0.8-9-X‡ HST0.8-12-5‡ HST0.8-48-5‡	.80" (20.3)	.20" (5.1)	.11" (2.8)	#8-#1/0 (10-50)	.240" (6.1)	.650" (16.5)	6" (152.4) 6" (152.4) 9" (228.6) 12" (304.8) 4' (1.2M)	3 Pcs. 10 Pcs. 10 Pcs. 5 Pcs. 5 Pcs.	30 Pcs. 100 Pcs. 100 Pcs. 50 Pcs. 20 Pcs.
HST1.1-6-3 HST1.1-6-X‡ HST1.1-9-2 HST1.1-9-X‡ HST1.1-12-5‡ HST1.1-48-5‡	1.10" (27.9)	.37" (9.4)	.12" (3.0)	#2-#4/0 (35-95)	.400" (10.1)	.875" (22.2)	6" (152.4) 6" (152.4) 9" (228.6) 9" (228.6) 12" (304.8) 4' (1.2M)	3 Pcs. 10 Pcs. 2 Pcs. 10 Pcs. 5 Pcs. 5 Pcs.	30 Pcs. 100 Pcs. 20 Pcs. 100 Pcs. 50 Pcs. 20 Pcs.
HST1.5-9-X HST1.5-12-1 HST1.5-12-5 HST1.5-48-5	1.50" (38.1)	.50" (12.7)	.17" (4.3)	#3/0-400 MCM (95-185)	.600" (15.2)	1.190" (30.2)	9" (228.6) 12" (304.8) 12" (304.8) 4' (1.2M)	10 Pcs. 1 Pcs. 5 Pcs. 5 Pcs.	100 Pcs. 10 Pcs. 50 Pcs. 20 Pcs.
HST2.0-9-5 HST2.0-12-2 HST2.0-48-2	2.00" (50.8)	.65" (16.5)	.17" (4.3)	250-750 MCM (240-500)	.750" (19.1)	1.600" (40.6)	9" (228.6) 12" (304.8) 4' (1.2M)	5 Pcs. 2 Pcs. 2 Pcs.	50 Pcs. 20 Pcs. 8 Pcs.
HST3.0-12-2 HST3.0-48-2	3.00" (76.2)	1.00" (25.4)	.17" (4.3)	600-1250 MCM (300-625)	1.20" (30.5)	2.250" (57.2)	12" (304.8) 4' (1.2M)	2 Pcs. 2 Pcs.	20 Pcs. 8 Pcs.

* Order in multiples of Std Pkg. Qty.

‡ For Red, add 2 to end of part number package suffix (Example HST0.4-3-Q2).



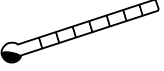


▲ Shrink ratios are approximations; please refer to above ordering information for the exact Min. Expanded and Max. Recovered I.D.'s.

Polyolefin **WET-SHRINK™** Thick Wall End Caps

HSEC Thick Wall End Caps

- For wet locations
- Provides excellent protection for sealing ends of wire or cable
- Adhesive lined inner wall seals and protects against moisture

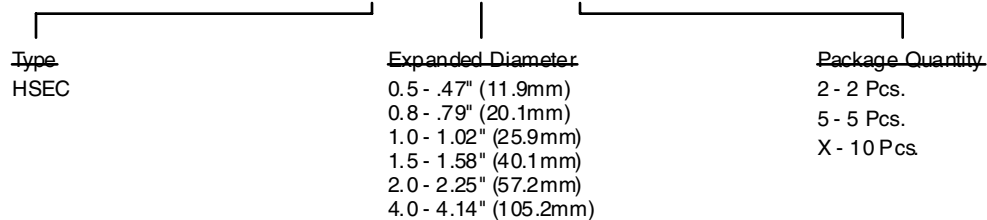


Type	Materials	
HSEC	 Polyolefin Cross-Linked with Adhesive	
 600V		-67°F to 221°F (-55°C to 105°C)
 Rigid		Shrink Ratio▲: 3:1



Thick Wall End Caps Part Number System

HSEC - 0.5 - X



Ordering Information — Thick Wall End Caps in Standard Packages

Part Number	Minimum Expanded I.D. In. (mm)	Maximum Recovered I.D. In. (mm)	Nominal Recovered Wall Thickness In. (mm)	Conductor Size	Cap Length In. (mm)	Std. Pkg. Qty.*	Std. Ctn. Qty.
HSEC0.5-X	.47" (11.9)	.18" (4.6)	.10" (2.5)	#8 TO #4 AWG (10 TO 25mm ²)	1.38" (35.1)	10 Pcs.	100 Pcs.
HSEC0.8-X	.79" (20.1)	.30" (7.6)	.10" (2.5)	#4 TO 3/0 AWG (25 TO 95mm ²)	2.13" (54.1)	10 Pcs.	100 Pcs.
HSEC1.0-X	1.02" (25.9)	.45" (11.4)	.10" (2.5)	#2 TO 4/0 AWG (35 TO 95mm ²)	3.23" (82.0)	10 Pcs.	100 Pcs.
HSEC1.5-5	1.58" (40.1)	.68" (17.3)	.11" (2.8)	250 TO 500 MCM (120 TO 240mm ²)	3.86" (98.0)	5 Pcs.	50 Pcs.
HSEC2.0-5	2.25" (57.2)	.87" (22.1)	.15" (3.8)	600 TO 1000 MCM (300 TO 500mm ²)	5.52" (140.2)	5 Pcs.	50 Pcs.
HSEC4.0-2	4.14" (105.2)	1.78" (45.2)	.15" (3.8)	1500 TO 2000 MCM (720 TO 1000mm ²)	6.90" (175.3)	2 Pcs.	10 Pcs.

* Order in multiples of Std. Pkg. Qty.




▲ Shrink ratios are approximations; please refer to above ordering information for the exact Min. Expanded and Max. Recovered I.D.'s.

Heat Shrink Tubing Kits




Plastic Kit Boxes

- Provides organized storage for a wide variety of parts in one convenient location
- Informative label eliminates guess work:
 - Specifies correct heat shrink usage based on wire range and connector size
 - Provides reorder part number information
- Once top is closed, loose pieces remain in their 6 compartments
- Available with non-adhesive or adhesive lined heat shrink tubing for dry and damp locations




KP-HSTT1 Contents	For Dry Locations	
BLACK POLYOLEFIN <i>DRY-SHRINK™</i> HEAT SHRINK TUBING (TYPE HSTT) IN 6" (152.4mm) LENGTHS 2:1 SHRINK RATIO		
   AMS-DTL-23053/5 CLASS 1		
35 EACH HSTT09 3/32" (2.4mm) I.D. HSTT12 1/8" (3.2mm) I.D.	21 EACH HSTT19 3/16" (4.8mm) I.D. HSTT25 1/4" (6.4mm) I.D.	7 EACH HSTT38 3/8" (9.5mm) I.D. HSTT50 1/2" (12.7mm) I.D.



KP-HSTT2 Contents	For Dry Locations	
MULTIPLE COLOR POLYOLEFIN <i>DRY-SHRINK™</i> HEAT SHRINK TUBING (TYPE HSTT) IN 6" (152.4mm) LENGTHS 2:1 SHRINK RATIO		
   AMS-DTL-23053/5 CLASS 1 & 2		
35 EACH HSTT09 3/32" (2.4mm) I.D. - 7 COLORS HSTT12 1/8" (3.2mm) I.D. - 7 COLORS	21 EACH HSTT19 3/16" (4.8mm) I.D. - 7 COLORS HSTT25 1/4" (6.4mm) I.D. - 7 COLORS	7 EACH HSTT38 3/8" (9.5mm) I.D. - 7 COLORS HSTT50 1/2" (12.7mm) I.D. - 7 COLORS

Note: Colors include: Red, Yellow, Green, Blue, White, Clear and Black



KP-HSTTA Contents	For Damp Locations	
ADHESIVE LINED BLACK POLYOLEFIN <i>DAMP-SHRINK™</i> HEAT SHRINK TUBING (TYPE HSTTA) IN 6" (152.4mm) LENGTHS 3:1 SHRINK RATIO		
 AMS-DTL-23053/4 CLASS 3		
14 EACH HSTTA19 3/16" (4.8mm) I.D.	10 EACH HSTTA38 3/8" (9.5mm) I.D.	3 EACH HSTTA75 3/4" (19.0mm) I.D.
12 EACH HSTTA25 1/4" (6.4mm) I.D.	6 EACH HSTTA50 1/2" (12.7mm) I.D.	2 EACH HSTTA100 1" (25.4mm) I.D.

Order number of kits required.