



Chipsmall Limited consists of a professional team with an average of over 10 year of expertise in the distribution of electronic components. Based in Hongkong, we have already established firm and mutual-benefit business relationships with customers from,Europe,America and south Asia,supplying obsolete and hard-to-find components to meet their specific needs.

With the principle of “Quality Parts,Customers Priority,Honest Operation,and Considerate Service”,our business mainly focus on the distribution of electronic components. Line cards we deal with include Microchip,ALPS,ROHM,Xilinx,Pulse,ON,Everlight and Freescale. Main products comprise IC,Modules,Potentiometer,IC Socket,Relay,Connector.Our parts cover such applications as commercial,industrial, and automotives areas.

We are looking forward to setting up business relationship with you and hope to provide you with the best service and solution. Let us make a better world for our industry!



Contact us

Tel: +86-755-8981 8866 Fax: +86-755-8427 6832

Email & Skype: info@chipsmall.com Web: www.chipsmall.com

Address: A1208, Overseas Decoration Building, #122 Zhenhua RD., Futian, Shenzhen, China

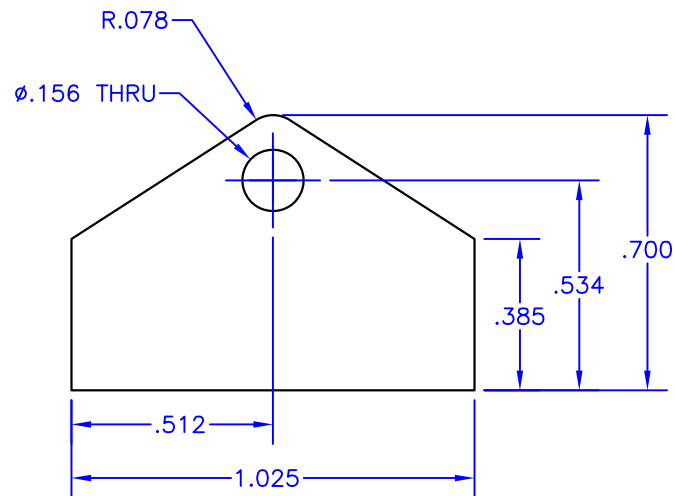


4

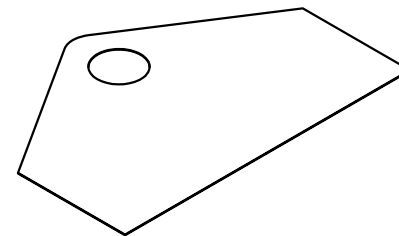
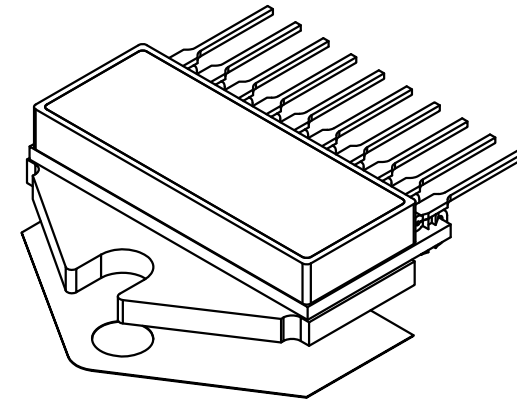
3

2

1



.003
See Notes 2 & 3.



NOTES:

1. Unless otherwise noted, all dimensions are in inches.
2. Foil Material: .002 thick 1145 aluminum
3. Interface Material: .0005 thick phase-change thermal compound, both sides.
Maximum shipping & storage temperature – 40°C
Reflow temperature – 60°C
Maximum recommended service temperature – 200°C
4. Thermal impedance: .030 °C–in²/W (.194 °C–cm²/W) @ 20psi
5. Thermal washers shall be packaged in quantities of 10 with oversize separators between them.
6. Used with 10–pin PSIP packages (Apex designator: DN).
7. Power Devices part no. AL-102-070-APX
8. Supplier is to label each plastic box with the Apex part number.

TOLERANCES - UNLESS
OTHERWISE SPECIFIED

.XX = ±.01 [.254]
.XXX = ±.005 [.127]
ANG. = ±5°



TITLE:

THERMAL WASHER, P-SIP

SUBJECT:

MECHANICAL DRAWING

ENGINEER:

D-M

DRAWN BY:

R.MOR

DCAL:

13242

SH.

1

OF

1

MODEL:

TW06

FILENAME:

TW06

REV:

F

DATE:

03JUN13

4

3

2

1