



Chipsmall Limited consists of a professional team with an average of over 10 year of expertise in the distribution of electronic components. Based in Hongkong, we have already established firm and mutual-benefit business relationships with customers from,Europe,America and south Asia,supplying obsolete and hard-to-find components to meet their specific needs.

With the principle of “Quality Parts,Customers Priority,Honest Operation,and Considerate Service”,our business mainly focus on the distribution of electronic components. Line cards we deal with include Microchip,ALPS,ROHM,Xilinx,Pulse,ON,Everlight and Freescale. Main products comprise IC,Modules,Potentiometer,IC Socket,Relay,Connector.Our parts cover such applications as commercial,industrial, and automotives areas.

We are looking forward to setting up business relationship with you and hope to provide you with the best service and solution. Let us make a better world for our industry!



Contact us

Tel: +86-755-8981 8866 Fax: +86-755-8427 6832

Email & Skype: info@chipsmall.com Web: www.chipsmall.com

Address: A1208, Overseas Decoration Building, #122 Zhenhua RD., Futian, Shenzhen, China



4

3

2

1

D

D

C

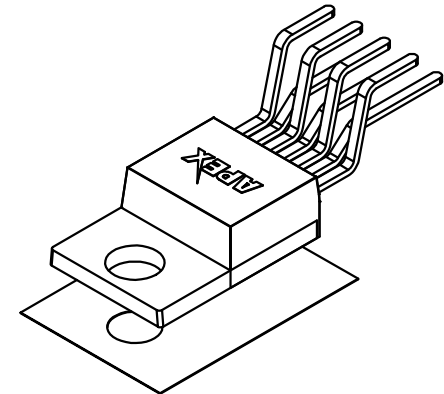
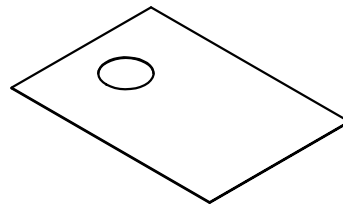
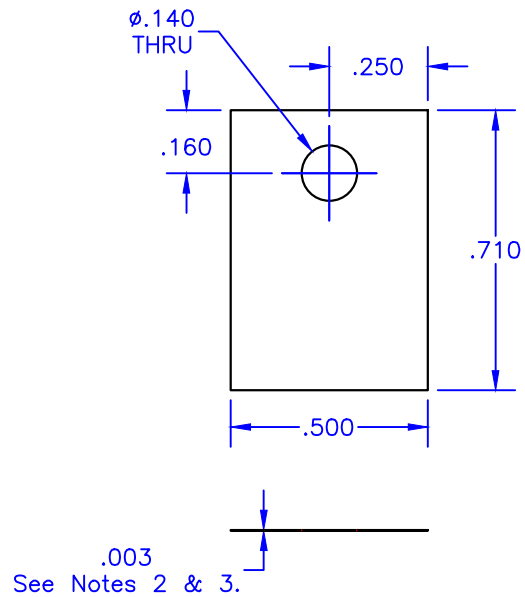
C

B

B

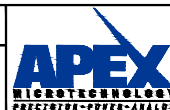
A

A

**NOTES:**

1. Unless otherwise noted, all dimensions are in inches.
2. Film Material: .002 thick Kapton[®] MT
Dielectric strength - 5200 VAC/mil
3. Interface Material: .0005 thick phase-change thermal compound, both sides.
Maximum shipping & storage temperature - 40°C
Reflow temperature - 60°C
Maximum recommended service temperature - 200°C
4. Thermal impedance: .201 °C/W-in² (1.30 °C/W-cm²) @ 20psi
5. Used with TO-220 packages (Apex designators: CD & CX).

TOLERANCES - UNLESS OTHERWISE SPECIFIED
.XX = ±.01 [.254]
.XXX = ±.005 [.127]
ANG. = ±5°



TITLE: THERMAL WASHER, TO-220		MODEL:	
SUBJECT: MECHANICAL DRAWING		TW14	
ENGINEER: K.GOPP	DRAWN BY: J.FAY	DCA: 16270	SH. OF: 1 1

FILENAME: TW14	REV: J	DATE: 11JUL16
----------------	--------	---------------

4

3

2

1