



Chipsmall Limited consists of a professional team with an average of over 10 year of expertise in the distribution of electronic components. Based in Hongkong, we have already established firm and mutual-benefit business relationships with customers from,Europe,America and south Asia,supplying obsolete and hard-to-find components to meet their specific needs.

With the principle of “Quality Parts,Customers Priority,Honest Operation,and Considerate Service”,our business mainly focus on the distribution of electronic components. Line cards we deal with include Microchip,ALPS,ROHM,Xilinx,Pulse,ON,Everlight and Freescale. Main products comprise IC,Modules,Potentiometer,IC Socket,Relay,Connector.Our parts cover such applications as commercial,industrial, and automotives areas.

We are looking forward to setting up business relationship with you and hope to provide you with the best service and solution. Let us make a better world for our industry!



Contact us

Tel: +86-755-8981 8866 Fax: +86-755-8427 6832

Email & Skype: info@chipsmall.com Web: www.chipsmall.com

Address: A1208, Overseas Decoration Building, #122 Zhenhua RD., Futian, Shenzhen, China



To request the full datasheet, please visit www.intersil.com/products/TW2824

4-Channel Video QUAD/MUX Controller for Security Applications

TW2824

The TW2824 has four high quality NTSC/PAL video decoders, dual color display controllers and dual video encoders. The TW2824 contains four 10-bit analog-to-digital converters, proprietary digital gain/clamp controller, high quality Y/C separator to reduce cross-noise and high performance dual scaler to provide various pictures. Four built-in motion and blind detectors can increase the feature of the security system. The TW2824 has a flexible video display controller including QUAD and MUX basic functions. The TW2824 also has an excellent graphic overlay function which displays character/bitmap, box and mouse pointer. The TW2824 contains two video encoders with four 10-bit digital-to-analog converters for providing 2 composite or S-video.

Features

Four Video Decoders

- Accepts all NTSC/PAL standard formats with auto detection
- Integrated four anti-aliasing filters and 10-bit CMOS ADCs
- High performance adaptive comb filters for all NTSC/PAL standards
- IF compensation filter for improvement of color demodulation
- PAL delay lines for correcting PAL phase errors
- Programmable hue, saturation, contrast, brightness and sharpness
- Dual high performance horizontal and vertical scaler for each channel.
- Four built-in motion detectors with 16x12 cells and blind detectors

Dual Video Controllers

- Additional 1-channel digital input for playback or cascade operation
- Full live/strobe/switch function

- Auto sequence switch with 64 queues and/or manual switch by interrupt
- Various channel attribute control
- Image enhancement for still image
- High performance 2x zoom for horizontal and vertical direction
- Supports save and recall function
- Last image capture when video-loss
- Extendable to 8-/12-/16-channel video controller using cascade connection
- Path-to-path cascade
- Character/bitmap overlay for OSD
- 16 programmable single boxes
- 4 2D arrayed boxes for motion result display
- Mouse pointer overlay

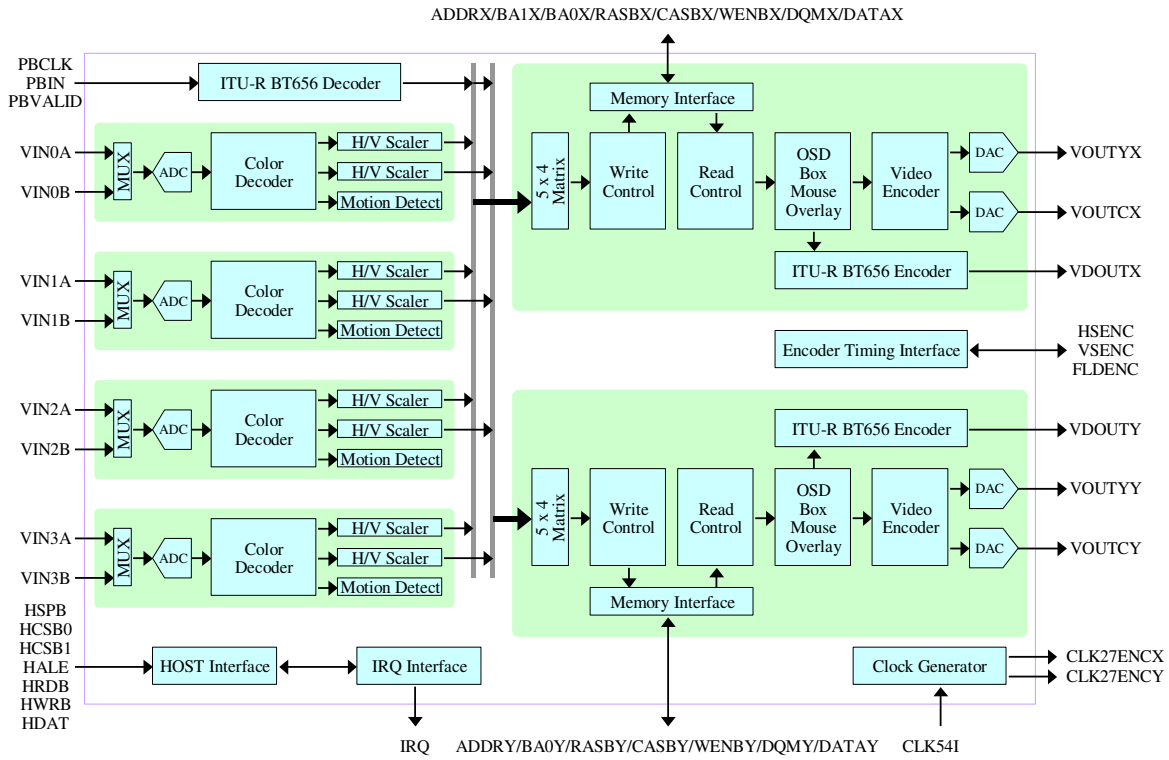
Dual Video Encoders

- 2 path digital outputs with ITU-R BT.656 standards
- 2 path analog outputs with all analog NTSC/PAL standards
- Supports CVBS or S-video for each path
- Programmable bandwidth for luminance and chrominance path
- Four 10-bit video CMOS DACs

Applications

- Analog QUAD/MUX system
- 4-/8-/16-channel DVR system
- Car rear vision system
- Hair shop system

Block Diagram



All Intersil U.S. products are manufactured, assembled and tested utilizing ISO9001 quality systems.

Intersil Corporation's quality certifications can be viewed at www.intersil.com/design/quality.

Intersil products are sold by description only. Intersil Corporation reserves the right to make changes in circuit design, software and/or specifications at any time without notice. Accordingly, the reader is cautioned to verify that data sheets are current before placing orders. Information furnished by Intersil is believed to be accurate and reliable. However, no responsibility is assumed by Intersil or its subsidiaries for its use; nor for any infringements of patents or other rights of third parties which may result from its use. No license is granted by implication or otherwise under any patent or patent rights of Intersil or its subsidiaries.

For information regarding Intersil Corporation and its products, see www.intersil.com