



Chipsmall Limited consists of a professional team with an average of over 10 year of expertise in the distribution of electronic components. Based in Hongkong, we have already established firm and mutual-benefit business relationships with customers from,Europe,America and south Asia,supplying obsolete and hard-to-find components to meet their specific needs.

With the principle of "Quality Parts,Customers Priority,Honest Operation,and Considerate Service",our business mainly focus on the distribution of electronic components. Line cards we deal with include Microchip,ALPS,ROHM,Xilinx,Pulse,ON,Everlight and Freescale. Main products comprise IC,Modules,Potentiometer,IC Socket,Relay,Connector.Our parts cover such applications as commercial,industrial, and automotives areas.

We are looking forward to setting up business relationship with you and hope to provide you with the best service and solution. Let us make a better world for our industry!



Contact us

Tel: +86-755-8981 8866 Fax: +86-755-8427 6832

Email & Skype: info@chipsmall.com Web: www.chipsmall.com

Address: A1208, Overseas Decoration Building, #122 Zhenhua RD., Futian, Shenzhen, China



Security Link Over Coax™ (SLOC™) Transmitter

TW3801

SLOC™ (Security Link Over Coax) is a transmission protocol for simultaneously transmitting analog CVBS video and digital IP video over a single coaxial cable.

The TW3801 is the transmitting (“camera”) end of a SLOC link, combining Ethernet digital video data and analog CVBS video into a single SLOC signal that can be transmitted over 500m of coaxial cable. It can be embedded into a camera or configured as a stand-alone IP+CVBS-to-SLOC converter.

The TW3801 includes an AFE, digital modem, and two Ethernet MII/RMII interfaces. The device accepts an analog CVBS signal and an Ethernet (R)MII signal and encodes it into a SLOC signal.

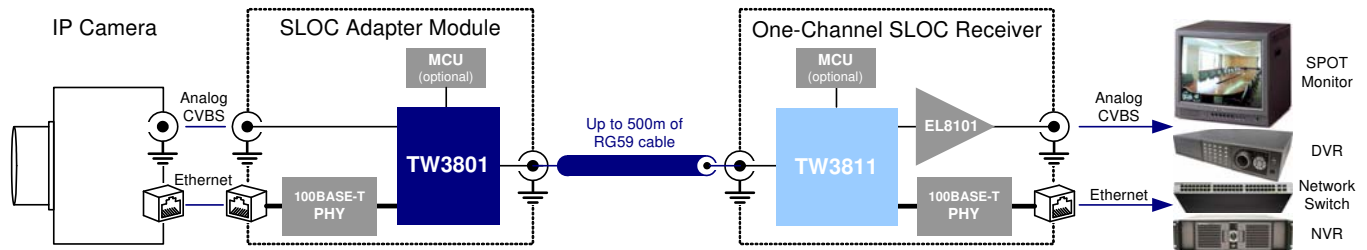
Applications

- Single-channel SLOC transmitter modem
- Embedded SLOC camera modem

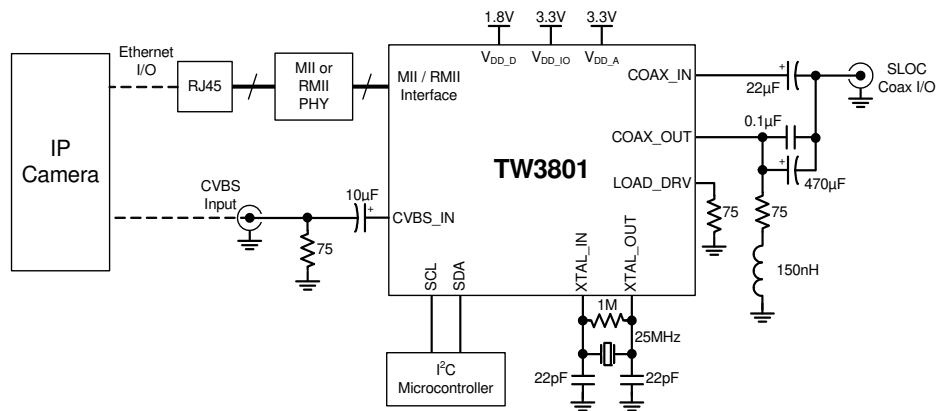
Features

- Simultaneous transmission of IP video data and analog CVBS video over up to 500m of RG59 coaxial cable
- Analog CVBS video preview support
- Proprietary adaptive analog equalizer for extending the reach of CVBS video
- Proprietary SLOC-based IP DVR detection
- Creates a full-duplex 100BASE-T digital link
- 36Mbps downlink speed from TW3801 to TW3811
- 4Mbps uplink for SLOC compliance
- Ethernet MAC MII/RMII interface for interfacing to Camera ISPs
- Ethernet PHY MII/RMII interface for interfacing to Ethernet PHY chip
- I²C 2-wire control interface
- Integrated PLL with 25MHz crystal interface
- 1.8V, 3.3V supplies
- 100-TQFP (12mmx12mm) Package

Application Block Diagram



Simplified Application Schematic



For additional products, see www.intersil.com/product_tree

Intersil products are manufactured, assembled and tested utilizing ISO9000 quality systems as noted in the quality certifications found at www.intersil.com/design/quality

Intersil products are sold by description only. Intersil Corporation reserves the right to make changes in circuit design, software and/or specifications at any time without notice. Accordingly, the reader is cautioned to verify that data sheets are current before placing orders. Information furnished by Intersil is believed to be accurate and reliable. However, no responsibility is assumed by Intersil or its subsidiaries for its use; nor for any infringements of patents or other rights of third parties which may result from its use. No license is granted by implication or otherwise under any patent or patent rights of Intersil or its subsidiaries.

For information regarding Intersil Corporation and its products, see www.intersil.com