



Chipsmall Limited consists of a professional team with an average of over 10 year of expertise in the distribution of electronic components. Based in Hongkong, we have already established firm and mutual-benefit business relationships with customers from,Europe,America and south Asia,supplying obsolete and hard-to-find components to meet their specific needs.

With the principle of “Quality Parts,Customers Priority,Honest Operation,and Considerate Service”,our business mainly focus on the distribution of electronic components. Line cards we deal with include Microchip,ALPS,ROHM,Xilinx,Pulse,ON,Everlight and Freescale. Main products comprise IC,Modules,Potentiometer,IC Socket,Relay,Connector.Our parts cover such applications as commercial,industrial, and automotives areas.

We are looking forward to setting up business relationship with you and hope to provide you with the best service and solution. Let us make a better world for our industry!



## Contact us

Tel: +86-755-8981 8866 Fax: +86-755-8427 6832

Email & Skype: info@chipsmall.com Web: www.chipsmall.com

Address: A1208, Overseas Decoration Building, #122 Zhenhua RD., Futian, Shenzhen, China



# LCD Controller

## TW8830

### Description

The TW8830 incorporates many of the features required to create multi-purpose a Video Door phone intercom LCD display system in a single package. It integrates a high quality 2D comb NTSC/PAL/SECAM video decoder, triple high speed RGB ADCs, high quality scaler, and images enhancement functions which include Black and White Stretch and Gamma Correction. It also supports panoramic scaling for conversion to wide screen display. The TW8830 supports a rich combination of inputs: CVBS, S-video, analog RGB as well as digital BT.656. On the output side, it supports a wide variety of digital panel types with its built-in timing controller.

### Features

#### ANALOG VIDEO DECODER

- NTSC (M, 4.43) and PAL (B, D, G, H, I, M, N, N combination), PAL (60), SECAM with automatic format detection
- Three 10-bit ADCs and analog clamping circuit
- Fully programmable static gain or automatic gain control for the Y or CVBS channel
- Programmable white peak control for the Y or CVBS channel
- Software selectable analog inputs
- High quality adaptive 2D comb filter for both NTSC and PAL inputs
- PAL delay line for color phase error correction
- Image enhancement with 2D dynamic peaking and CTI
- Digital sub-carrier PLL for accurate color decoding
- Digital horizontal PLL and Advanced synchronization processing for VCR playback and weak signal performance
- Programmable hue, brightness, saturation, contrast and sharpness
- High quality horizontal and vertical filtered down scaling with arbitrary scale-down ratio

#### ANALOG RGB INPUTS

- Triple high speed 10-bit ADCs with clamping and programmable gain amplifier.

- SOG and H/V sync support for YPbPr or RGB input
- Built-in line locked PLL with sync separator
- Supports analog input resolution up to 1080i or WXGA

#### DIGITAL INPUTS SUPPORT

- Supports BT.656 video formats

#### TFT PANEL SUPPORT

- Built-in programmable timing controller
- Supports 3, 4, 6 or 8 bits per pixel up to 16.8 million colors with built-in dithering engine
- Supports digital panel up to WVGA/SVGA resolution
- Supports Serial (8-bit) RGB panel

#### ON SCREEN DISPLAY

- 6912 byte programmable font RAM and 256 display RAM
- Four windows font OSD with bordering / shadowing
- 1/2/3/4 bits/pixel
- Supports variable width (12/16), height (2~32)

#### IMAGE PROCESSING

- High quality scaler with both up/down and nonlinear scaling support
- Panorama / Water-glass scaling
- Built-in 2D de-interlacing function
- Programmable hue, brightness, saturation, contrast and sharpness
- Programmable cropping of input video and graphics
- Independent RGB gain and offset controls
- Panorama / Water-glass scaling
- Programmable 8-bit Gamma correction for each color
- Operated in Frame Sync mode
- Black/White Stretch

#### CLOCK GENERATION

- Spread spectrum clock
- Modulation frequency and spread width are selectable

# TW8830

## TIMING CONTROLLER (TCON)

- Supports programmable timing interface signals for control
- Column (source) driver / row (gate) driver

## MCU

- Industry standard 8052 based
- Code fetch from external SPI flash memory
- 512B XDATA memory

## POWER MANAGEMENT

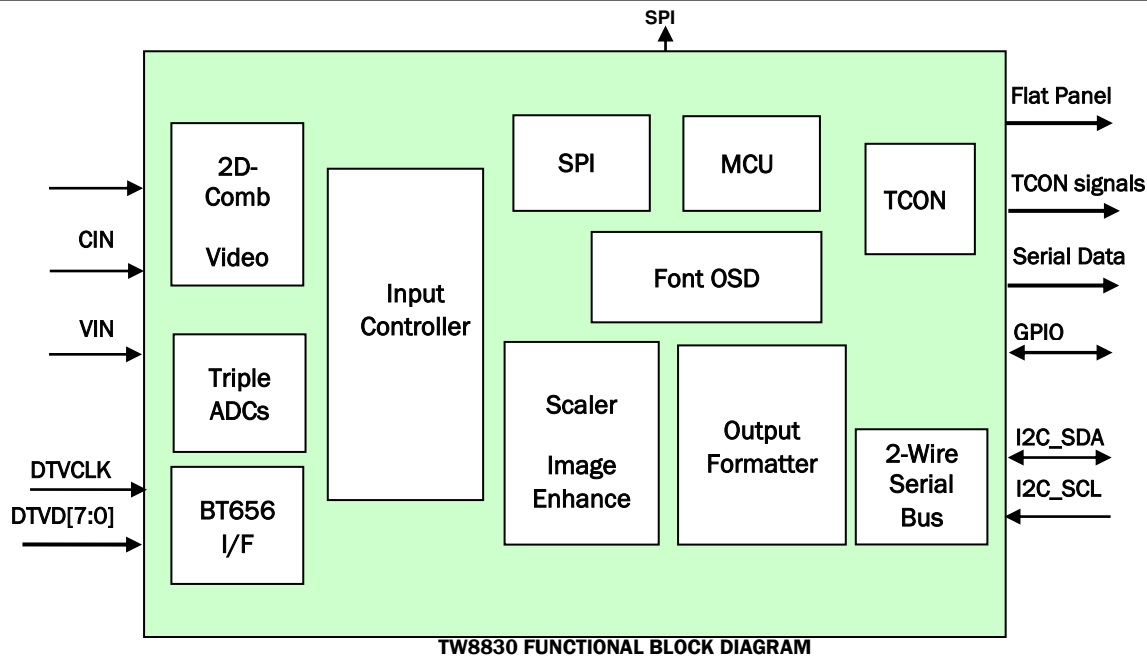
- Supports functional based independent
- power down
- 1.8 / 3.3 V operation

## MISCELLANEOUS

- Supports 2-wire serial bus interface
- Built-in 2 channel Auxiliary ADC input
- Single 27MHz crystal
- 80-pin LQFP package

## Applications

- Video door phone intercom display controller
- Portable DVD and DVRs players
- Portable media player



All Intersil U.S. products are manufactured, assembled and tested utilizing ISO9001 quality systems.

Intersil Corporation's quality certifications can be viewed at [www.intersil.com/design/quality](http://www.intersil.com/design/quality).

Intersil products are sold by description only. Intersil Corporation reserves the right to make changes in circuit design, software and/or specifications at any time without notice. Accordingly, the reader is cautioned to verify that data sheets are current before placing orders. Information furnished by Intersil is believed to be accurate and reliable. However, no responsibility is assumed by Intersil or its subsidiaries for its use; nor for any infringements of patents or other rights of third parties which may result from its use. No license is granted by implication or otherwise under any patent or patent rights of Intersil or its subsidiaries.

For information regarding Intersil Corporation and its products, see [www.intersil.com](http://www.intersil.com)