



Chipsmall Limited consists of a professional team with an average of over 10 year of expertise in the distribution of electronic components. Based in Hongkong, we have already established firm and mutual-benefit business relationships with customers from,Europe,America and south Asia,supplying obsolete and hard-to-find components to meet their specific needs.

With the principle of "Quality Parts,Customers Priority,Honest Operation,and Considerate Service",our business mainly focus on the distribution of electronic components. Line cards we deal with include Microchip,ALPS,ROHM,Xilinx,Pulse,ON,Everlight and Freescale. Main products comprise IC,Modules,Potentiometer,IC Socket,Relay,Connector.Our parts cover such applications as commercial,industrial, and automotives areas.

We are looking forward to setting up business relationship with you and hope to provide you with the best service and solution. Let us make a better world for our industry!



Contact us

Tel: +86-755-8981 8866 Fax: +86-755-8427 6832

Email & Skype: info@chipsmall.com Web: www.chipsmall.com

Address: A1208, Overseas Decoration Building, #122 Zhenhua RD., Futian, Shenzhen, China



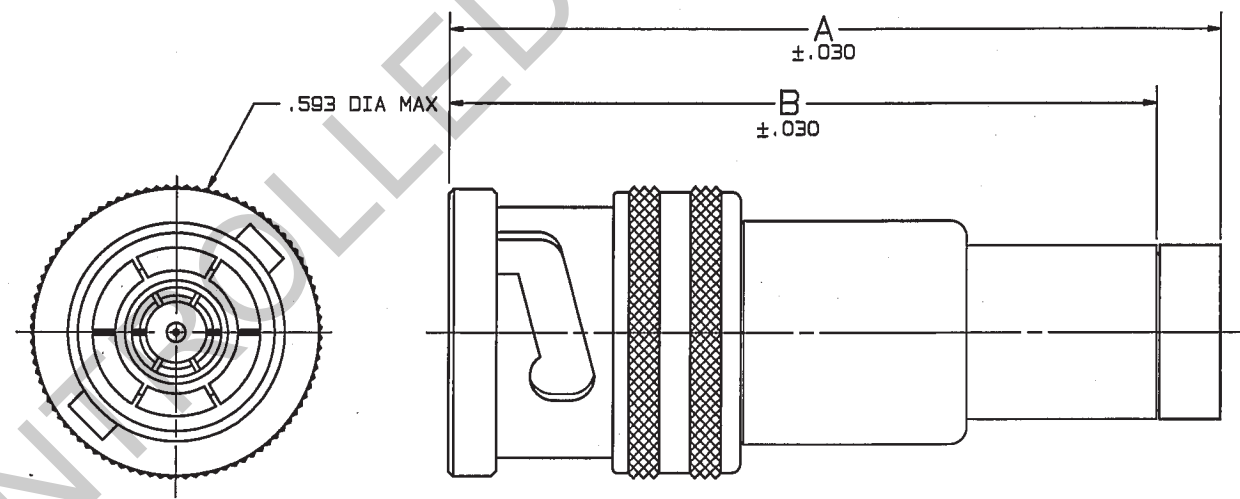
RED INDICATES ORIGINAL

TABLE 1				
DASH NO	CABLES ACCOMMODATED	ASSEMBLE PER	DIM "A"	DIM "B"
-201	M17/176-00002	TAI-201	1.540	1.375
-202	TWC-78-1			
-203	TWC-124-1A			
-204	10602 RAYCHEM			
-205	TWAC-78-1F2			
-206	782600130 RAYCHEM			
-207	83310 BELDEN			
-208	202-3927 MICRODDOT			
-209	202-3942 MICRODDOT			
-210	8451 BELDEN			
-211	202-3934 MICRODDOT			
-212	2524E0114 RAYCHEM			
-213	TWC-78-2			
-214	TWC-124-2			
-215	BL982, TIMES			
-216	BL1242, TIMES			
-217	GC875TM24H GRUMMAN			
-218	EDP221888, RAYCHEM			
-219	2526D1114 RAYCHEM			
-220	GC875RR1, GRUMMAN			
-221	10614, RAYCHEM			
-222	10613, RAYCHEM			
-223	HMS2-1149, HUGHES			
-224	TWCP-124-3			
-225	PS665PL, PRIME STOCK			
-226	TWCP-124-5	TAI-209	1.660	1.495

DWG SIZE **B**
 DATA CONTAINED IN THIS DOCUMENT IS PROPRIETARY TO TROMPETER ELECTRONICS INC. AND SHALL NOT BE DISCLOSED, COPIED OR USED FOR PROCUREMENT OR MANUFACTURE WITHOUT EXPRESS WRITTEN PERMISSION.

REVISIONS			3-0288		SH 1
REV	ED	DESCRIPTION	DWN	APPROVED	DATE
C	11342	ADDED DIMENSIONS "A & B" TO TABLE 1; SEE ECO	DKC	<i>Bmi TFS</i>	10/25/95

INCH	MM
.005	0.13
.030	0.76
.296	7.52
.593	15.06
1.375	34.93
1.495	37.97
1.540	39.12
1.660	42.16



5. EXAMPLE OF COMPLETE MODEL NO:
PL74MC - 201
 BASIC MODEL NO. — CABLE GROUP DASH NO (SEE TABLE 1)

3. CONCENTRIC TWINAX 2-LUG TRB, MILITARY FULL CRIMP CABLE PLUG
2. FINISH: TFS-1A (NICKEL)
1. ALL DIMENSIONS ARE IN INCHES



QTY	DESCRIPTION	PART NUMBER	ITEM
	TOL UNLESS SPECIFIED .XX ± .XXX ± .005 .XXXX ± ANGLES ±	TROMPETER RF connectivity	PL74MC
DWN	DKC 10-12-95	MATERIAL	CODE IDENT
CHK	<i>Bmi</i> 10-23-95		14949
ENGR			3-0288
APPR	<i>TFS</i> 10/25/95	SCALE 4/1	DATE 10-6-94
NEXT ASSY		SHEET 1 OF 2	REV C