



Chipsmall Limited consists of a professional team with an average of over 10 year of expertise in the distribution of electronic components. Based in Hongkong, we have already established firm and mutual-benefit business relationships with customers from,Europe,America and south Asia,supplying obsolete and hard-to-find components to meet their specific needs.

With the principle of “Quality Parts,Customers Priority,Honest Operation,and Considerate Service”,our business mainly focus on the distribution of electronic components. Line cards we deal with include Microchip,ALPS,ROHM,Xilinx,Pulse,ON,Everlight and Freescale. Main products comprise IC,Modules,Potentiometer,IC Socket,Relay,Connector.Our parts cover such applications as commercial,industrial, and automotives areas.

We are looking forward to setting up business relationship with you and hope to provide you with the best service and solution. Let us make a better world for our industry!



## Contact us

Tel: +86-755-8981 8866 Fax: +86-755-8427 6832

Email & Skype: info@chipsmall.com Web: www.chipsmall.com

Address: A1208, Overseas Decoration Building, #122 Zhenhua RD., Futian, Shenzhen, China



- Economical And Easy To Install
- Cuts Easily With Scissors
- Reflects Radiant Heat
- Insulates Delicate Wires And Components
- Resists Gasoline And Engine Chemicals

Put-Ups

Nominal Size	Part #	Sheet Width	Wall Thickness ±0.008"	Bulk Spool	Shop Spool	Available Colors	Lbs/100'
1/2"	TWN0.50SV	1 13/16"	0.025"	200'	100'	Silver	2.60
3/4"	TWN0.75SV	2 1/2"	0.025"	200'	100'	Silver	4.00
1"	TWN1.00SV	3 3/8"	0.025"	200'	100'	Silver	5.10
1 1/4"	TWN1.25SV	4 1/4"	0.025"	200'	100'	Silver	5.70
1 1/2"	TWN1.50SV	5"	0.025"	200'	100'	Silver	6.50
1 3/4"	TWN1.75SV	5 13/16"	0.025"	100'	50'	Silver	7.40
2"	TWN2.00SV	6 11/16"	0.025"	100'	50'	Silver	8.40
2 1/4"	TWN2.25SV	7 3/8"	0.025"	100'	50'	Silver	9.50



Cut Cleanly  
Scissors

Material

Aluminum Laminated Fiberglass

Grade

TWN

Wall Thickness

.025"

Drawing Number

TF001TW-WD

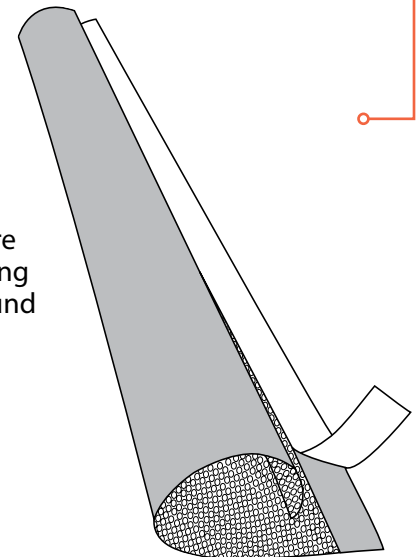
## Reflective Aluminized Surface Bonded To Insulating Fiberglass

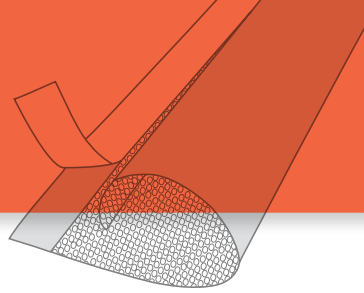
THERMASHIELD creates a buffer between your wires, hoses and cables and the high temperature environments they are required to perform in. ThermaShield is engineered by laminating an aluminum heat shield to a layer of strong fiberglass insulation. This system provides superior protection from radiant heat by reflecting it away from sensitive electronics, wiring and hoses.

THERMASHIELD WRAP (TWN). When component disassembly isn't an option, TWN is the solution. Designed to fit securely around existing assemblies and hard to reach components, the flat material is joined along the edge with a strip of permanent, high temperature adhesive. The aggressive bonding agent will securely adhere anywhere along the width of the material, affording maximum protection and allowing a snug fit around odd-shaped connectors and terminations.

When applied, the aluminum laminate reflects heat away and the insulating fiberglass backing protects the fragile contents from thermal damage and failure.

Colors Available:  
Silver (SV)





**ABRASION** **FLAMMABILITY**

**Abrasion Resistance**  
**Very High**

Rating \_\_\_\_\_ Non Combustible  
Will not burn

**Abrasion Test Machine**  
**Taber 5150**

**Abrasion Test Wheel**  
**Calibrase H-18**

**Abrasion Test Load**  
**500g**

**Room Temperature**  
**70°F**

**Humidity**  
**57%**

**Foil Layer Worn Through**  
**1,000 Test Cycle**

**Fiberglass Layer Worn Through - Material Destroyed**  
**1,300 Test Cycles**

**CHEMICAL  
RESISTANCE**

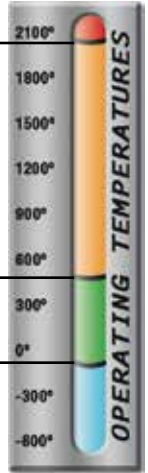
1=No Effect    4=More Affected  
2=Little Effect    5=Severely Affected  
3=Affected

Aromatic Solvents _____	1
Aliphatic Solvents _____	1
Chlorinated Solvents _____	1
Weak Bases _____	1
Salts _____	1
Strong Bases _____	1
Salt Water 0-S-1926 _____	1
Hydraulic Fluid MIL-H-5606 _____	1
Lube Oil MIL-L-7808 _____	1
De-Icing Fluid MIL-A-8243 _____	1
Strong Acids _____	2
Strong Oxidants _____	2
Esters/Ketones _____	1
UV Light _____	1
Petroleum _____	1
Fungus ASTM G-21 _____	1
Halogen Free _____	Yes
RoHS _____	Yes

**Melt Point**  
ASTM D-2117  
**2,048°F (1,120°C)**

**Maximum Continuous**  
Mil-I-23053  
**491°F (255°C)**

**Minimum Continuous**  
**-76°F (-60°C)**



**PHYSICAL  
PROPERTIES**

Flammability Rating \_ Non Combustible  
Recommended Cutting \_\_\_\_\_ Scissor  
Colors \_\_\_\_\_ 1  
Wall Thickness \_\_\_\_\_ .025