



Chipsmall Limited consists of a professional team with an average of over 10 year of expertise in the distribution of electronic components. Based in Hongkong, we have already established firm and mutual-benefit business relationships with customers from,Europe,America and south Asia,supplying obsolete and hard-to-find components to meet their specific needs.

With the principle of "Quality Parts,Customers Priority,Honest Operation,and Considerate Service",our business mainly focus on the distribution of electronic components. Line cards we deal with include Microchip,ALPS,ROHM,Xilinx,Pulse,ON,Everlight and Freescale. Main products comprise IC,Modules,Potentiometer,IC Socket,Relay,Connector.Our parts cover such applications as commercial,industrial, and automotives areas.

We are looking forward to setting up business relationship with you and hope to provide you with the best service and solution. Let us make a better world for our industry!



Contact us

Tel: +86-755-8981 8866 Fax: +86-755-8427 6832

Email & Skype: info@chipsmall.com Web: www.chipsmall.com

Address: A1208, Overseas Decoration Building, #122 Zhenhua RD., Futian, Shenzhen, China



TWR-KL28Z User's Guide

1. Introduction

The Tower development platform is a set of software and hardware tools for evaluation and development. It is an ideal tool for the rapid prototyping of microcontroller-based applications.

The TWR-KL28Z supports power supply voltage range from 1.71 V to 3.6 V. It features a KL28Z, a device boasting a maximum operating frequency of 72 MHz, up to 512 KB Flash and numerous analog and digital peripherals.

The TWR-KL28Z includes the ARM open standard embedded serial and debug adapter known as CMSIS-DAP. This circuit offers the user several options for serial communications, flash programming, and run-control debugging.

The TWR-KL28Z microcontroller module is designed to work either in standalone mode or as part of the Tower System, a modular development platform that enables rapid prototyping and tool re-use through reconfigurable hardware.

Contents

1.	Introduction	1
2.	Getting Started	2
3.	TWR-KL28Z Features.....	2
4.	TWR-KL28Z Hardware Description	4
4.1.	Power supply	4
4.2.	Serial and debug adapter (OpenSDA)	5
4.3.	Microcontroller.....	6
4.4.	Capacitive touch pad.....	9
4.5.	I2C Accelerometer Sensor.....	9
4.6.	LED	11
4.7.	Analog reference voltage.....	11
4.8.	Input/output headers.....	12
5.	References	13
6.	Revision History	13

It can provide a broad range of expansion board options. The on-board interfaces include LED, a 3-axis digital sensor (3D accelerometer), and two capacitive touch pads.

There are many software development tool options available to the user. Choices include Kinetis Design Studio (KDS), IAR Embedded Workbench, Keil MDK featuring the μ Vision IDE, and so on.

All of these features combine to give users the Tower needed to rapidly prototype many embedded designs: a powerful microcontroller built on a very low-power core and SOC platform, easy-access to I/O with a large ecosystem of compatible hardware, a flexible programming and debug interface, and a large ecosystem of software development environments.

2. Getting Started

Refer to the TWR-KL28Z *Quick Start Package* for step-by-step instructions for getting started with the freedom board. See the “Jump Start Your Design” section at nxp.com/FREDEVPLA for the Quick Start Package and software lab guides.

3. TWR-KL28Z Features

The TWR-KL28Z hardware is a Tower development board assembled with the following features:

- MKL28Z512VLL7 MCU (72 MHz, 512 KB Flash, 128 KB RAM, 32 KB ROM, 100 LQFP package)
- 3-Axis Digital Accelerometer, MMA8451Q
- On-board serial and debug adapter
- I/O headers for easy access to MCU I/O pins
- Flexible power supply options :USB, coin cell battery, external source
- Capacitive touch pad
- Reset push button
- NMI and LLWU buttons
- LEDs

The FRDM-KL28Z features two MCUs: The target MCU is the MKL28Z512VLL7. The CMSIS-DAP MCU is the MK20DX128VFM5.

Figure 1 shows a block diagram of the TWR-KL28Z board. The primary components and their location on the hardware assembly are pointed out in *Figure 2*.

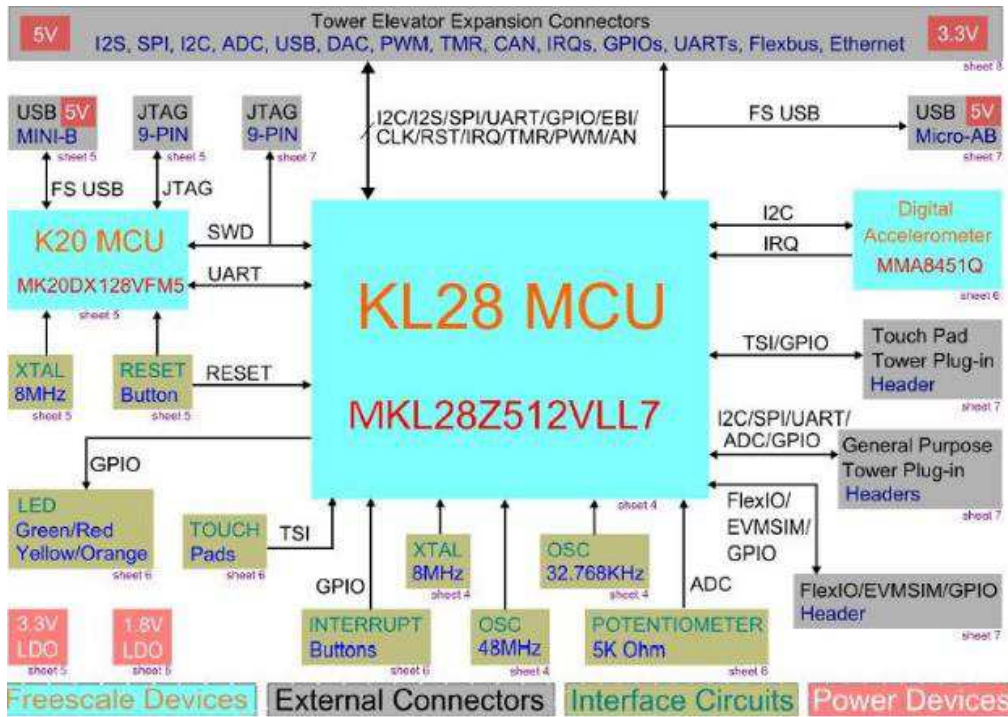


Figure 1. TWR-KL28Z block diagram

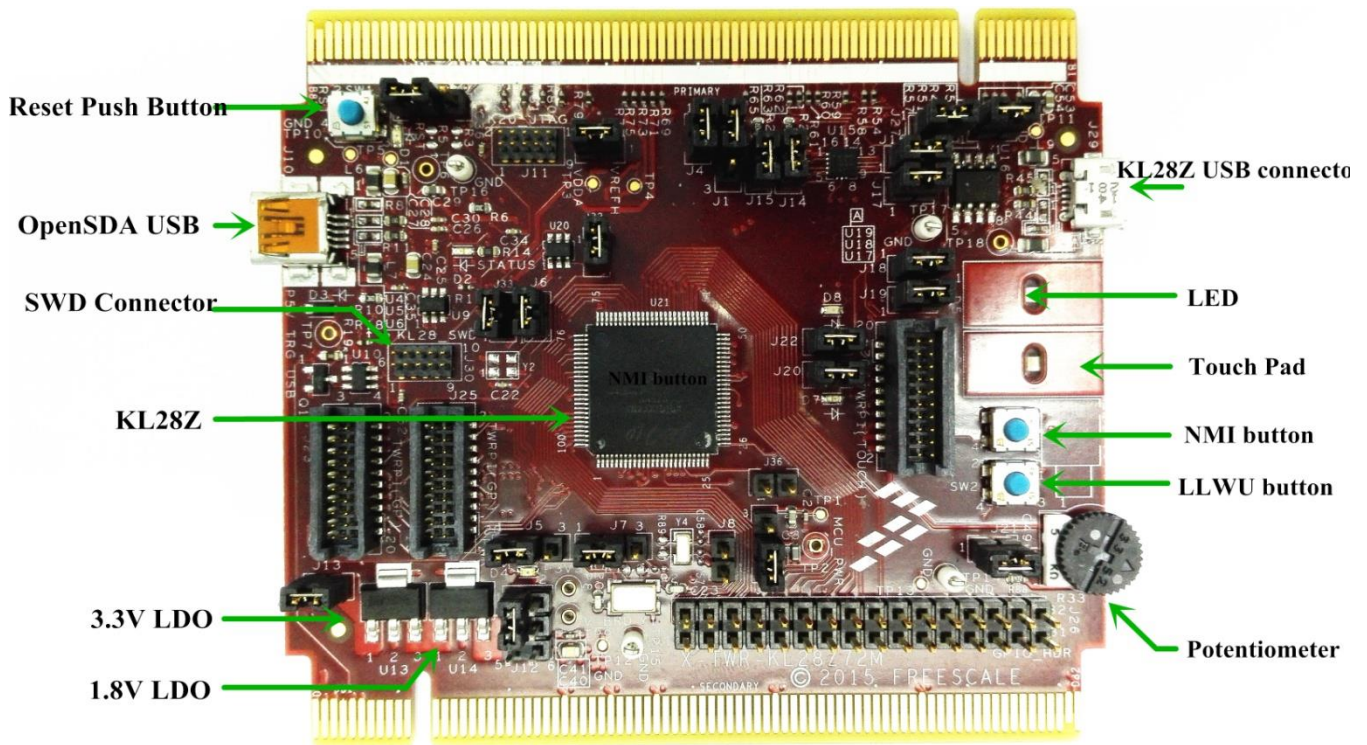


Figure 2. TWR-KL28Z feature call-outs

4. TWR-KL28Z Hardware Description

4.1. Power supply

The TWR-KL28Z offers a design with multiple power supply options. It can be powered from the USB connector, the VIN pin on the I/O header, or an off-board 1.71-3.6 V supply from the 3.3 V pin on the I/O header. The USB and VIN supplies are regulated on-board using a 3.3 V linear regulator to produce the main power supply. The other sources are not regulated on-board.

The following table provides the operational details and requirements for the power supplies.

Table 1. Tags Power supply requirements

Supply Source & Location	Valid Range	CMSIS-DAP Operational?	Regulated on-board?
CMSIS-DAP USB (J10)	5 V	Yes	Yes
KL28Z USB (J29)	5 V	No	Yes
P3V3 Pin (J34 PIN2)	1.71-3.6 V	No	No

Figure 3 shows the schematic drawing for the power supply inputs and the on-board voltage regulator.

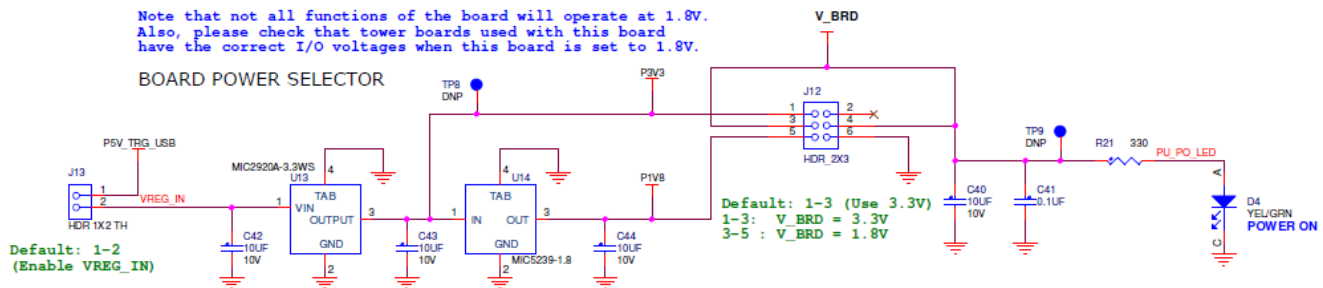


Figure 3. Power supply schematic

NOTE

The CMSIS-DAP circuit is operational only when a USB cable is connected and supplying power to J10. However, the protection circuitry is in place to allow multiple sources to be powered at once.

Table 2. FRDM-KL28Z power supplies

Power Supply Name	Description
P5V_miniUSB	Primary input power. Filtered from miniUSB connector
P5V_microUSB	Secondary input power. Filtered from microUSB connector
P5V_ELEV	Third input power from primary elevator connector.
P5V_TRG_USB	Output from USB power switch, which is controlled by the K20's VTRG_EN and elevator's ELE_PS_SENSE.
V_BRD	Output from jumper header, to select 1.8 V, 3.3 V. Also could be supplied externally via header pins
MCU_PWR	Output from jumper header, to select V_BRD, VREGOUT_KL28. Also could be supplied externally via header pin
VDDA	Output from jumper header to select MCU_PWR. Also could be supplied externally via header pin.

4.2. Serial and debug adapter (CMSIS-DAP)

CMSIS –DAP is an open-standard serial and debug adapter. It bridges serial and debug communications between a USB host and an embedded target processor as shown in [Figure 4](#). CMSIS-DAP features a mass storage device (MSD) bootloader, which provides a quick and easy mechanism for loading different CMSIS-DAP Applications such as flash programmers, run-control debug interfaces, serial-to-USB converters, and more. Two or more CMSIS-DAP applications can run simultaneously. For example, run-control debug application and serial-to-USB converter runs in parallel to provide a virtual COM communication interface while allowing code debugging via CMSIS-DAP with just single USB connection. These two applications are provided in a single code package. Refer to the CMSIS-DAP User’s Guide for more details.

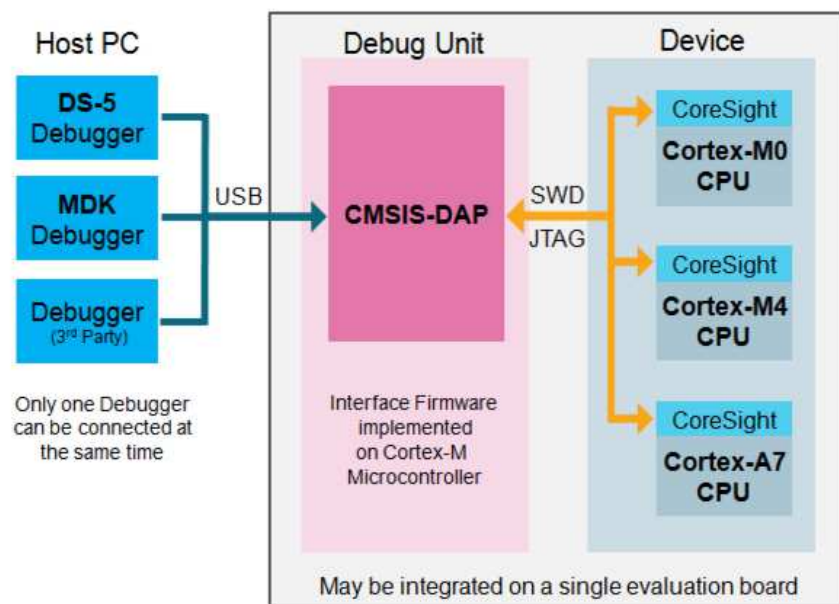


Figure 4. CMSIS-DAP block diagram

CMSIS-DAP is managed by a Kinetis K20 MCU built on the ARM Cortex-M4 core. The CMSIS-DAP circuit includes a status LED (D1) and a RESET pushbutton (SW1). The pushbutton asserts the Reset signal to the KL28Z target MCU. It can also be used to place the CMSIS-DAP circuit into bootloader mode by holding down the RESET pushbutton while plugging the USB cable to USB connector J13. Once the CMSIS-DAP enters bootloader mode, other CMSIS-DAP applications such as debug app can be programmed. SPI and GPIO signals provide an interface to the SWD debug port of the KL28Z. Additionally, signal connections are available to implement a UART serial channel. The CMSIS-DAP circuit receives power when the USB connector is plugged into a USB host.

4.2.1. Debugging interface

Signals with SPI and GPIO capability are used to connect directly to the SWD of the KL28Z. These signals are also brought out to a standard 10-pin Cortex Debug connector (J30) as shown in [Figure 5](#). In order to isolate the KL28Z MCU from the CMSIS-DAP circuit and use J30 to connect to an off-board

MCU, cut the jumper between pin1 and pin2 of J32/J33 on bottom layer. This will disconnect the SWD_CLK pin to the KL28Z so that it will interfere with the communications to an off-board MCU connected to J30. *Figure 5* shows SWD connector signals description for KL28Z.

KL28 SWD CONNECTOR

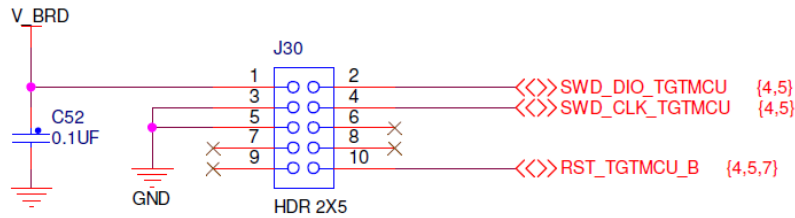


Figure 5. SWD debug connector to KL28Z

4.2.2. Virtual serial port

A serial port connection is available between the CMSIS-DAP MCU and pins PTA1 and PTA2 of the KL28Z. Several of the default CMSIS-DAP applications are provided by NXP, including the MSD Flash Programmer and the CMSIS-DAP USB HID interface, providing a USB communications device class (CDC) interface that bridges serial communications between the USB host and this serial interface.

4.3. Microcontroller

The TWR-KL28Z is a MCU module featuring the MKL28Z512VLL7, a Kinetis microcontroller with USB 2.0 full-speed OTG controller in a 100 LQFP package. An on-board debug circuit, CMSIS-DAP, provides a SWD interface and a power supply input through a mini-USB connector, as well as serial to USB and CDC class compliant UART interface.

Table 3. Features of MKL28Z512VLL7

Feature	Description
Ultra-low-power	<ul style="list-style-type: none"> - 10 low-power modes with power and clock gating for optimal peripheral activity and recovery times. Stop currents of <190 nA (VLLS0), run currents of <280 uA/MHz, 4 s wake-up from Stop mode - Full memory and analog operation down to 1.71 V for extended battery life - Low-leakage wake-up unit with up to eight internal modules and eight pins as wake-up sources in low-leakage stop (LLS)/very low-leakage stop (VLLS) modes - Low-power timer for continual system operation in reduced power states
Flash, SRAM, ROM	<ul style="list-style-type: none"> - 512 KB flash featuring fast access times, high reliability, and four levels of security protection. No user or system intervention to complete programming and erase functions and full operation down to 1.71 V - 128 KB of SRAM - 32 KB of ROM with Kinetis bootloader included (UART, SPI, I²C, USB-HID)

Table 3. Features of MKL28Z512VLL7

Feature	Description
Mixed-signal capability	<ul style="list-style-type: none"> - SAR 16-bit analog-to-digital converter (ADC) - High-speed comparator (CMP) with internal 6-bit digital-to-analog converter (DAC) - 12-bit digital-to-analog converter (DAC) - VREF module 1.2 V output
Performance	<ul style="list-style-type: none"> - 72 MHz ARM Cortex-M0+ core - Up to 16 channel DMA for peripheral and memory servicing with reduced CPU loading and faster system throughput - Cross bar switch enables concurrent multi-master bus accesses, increasing bus bandwidth - Independent flash banks allowing concurrent code execution and firmware updating with no performance degradation or complex coding routines - Bit manipulation engine (BME) allows execution of single-instruction atomic bit-modify-write operations on the peripheral address space
Timing and control	<ul style="list-style-type: none"> - Three timer/PWM modules – one with six channel, and two with two channels - Low-power timer - Real-time clock - 4-channel 32-bit periodic interrupt timer provides time base for RTOS task scheduler or trigger source for ADC conversion, provides lifetime timer capability
Human-machine interface Connectivity and communications	<ul style="list-style-type: none"> - Touch sensing input - General-purpose input/output up to 54 - USB full-speed OTG controller with on-chip transceiver and 5 V to 3.3 V regulator, supporting crystal-less recovery - USB low-voltage regulator supplies up to 120 mA off chip at 3.3 volts to power external components from 5-volt input - Three 32-bit LPSPi modules - Three LPUART modules - Three LPI2C modules supporting Ultra-Fast mode - One I²S (SAI) module - FlexIO module

4.3.1. Clock source

The Kinetis MCUs start up to the default reset clock for core/system clock, which is 8 MHz from SIRC. Software can enable the main external oscillator (EXTAL/XTAL), or to high frequency internal reference (FIRC) 48 MHz if desired. The external oscillator/resonator can range from 32.768 KHz up to a 32 MHz. An 8 MHz crystal is the default external source for the SCG oscillator inputs (XTAL/EXTAL).

4.3.2. Serial port

The primary serial port interface signals are PTA1 and PTA2. These signals are connected to both the CMSIS-DAP and to the J1 I/O connector.

4.3.3. USB port

The Kinetis KL28 microcontrollers feature a dual-role USB controller with on-chip full-speed and low-speed transceivers. The USB interface on the TWR-KL28Z is configured as a full-speed USB device. J29 is the USB connector for this interface. As shown in [Figure 6](#).

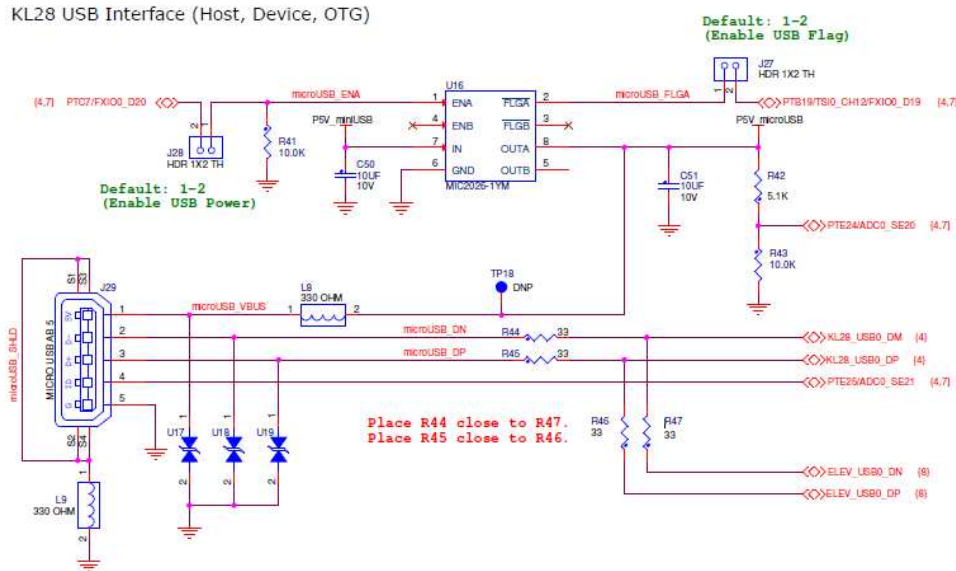


Figure 6. USB connector schematic

4.3.4. Reset

The PTA20/RESET signal on the KL28Z is connected externally to a pushbutton, SW1, and also to the CMSIS-DAP circuit. The reset button can be used to force an external reset event in the target MCU. The reset button can also be used to force the CMSIS-DAP circuit into bootloader mode.

4.3.5. Debug

The sole debug interface on all Kinetis L series devices is a Serial Wire Debug (SWD) port. The primary controller of this interface on the TWR-KL28Z is the onboard CMSIS-DAP circuit. However, a 2x5-pin Cortex Debug connector, J30, provides access to the SWD signals for the KL28Z MCU. [Table 4](#) shows SWD connector signals description for KL28Z.

Table 4. ARM JTAG/SWD mini connector description

Pin	Function	Connection to KL28Z
1	VTref	P3V3_MCU
2	SWDIO/TMS	PTA3
3	GND	GND
4	SWDCLK/TCK	PTA0
5	GND	GND
6	SWO/TDO	NC
7	NC	NC
8	TDI	NC

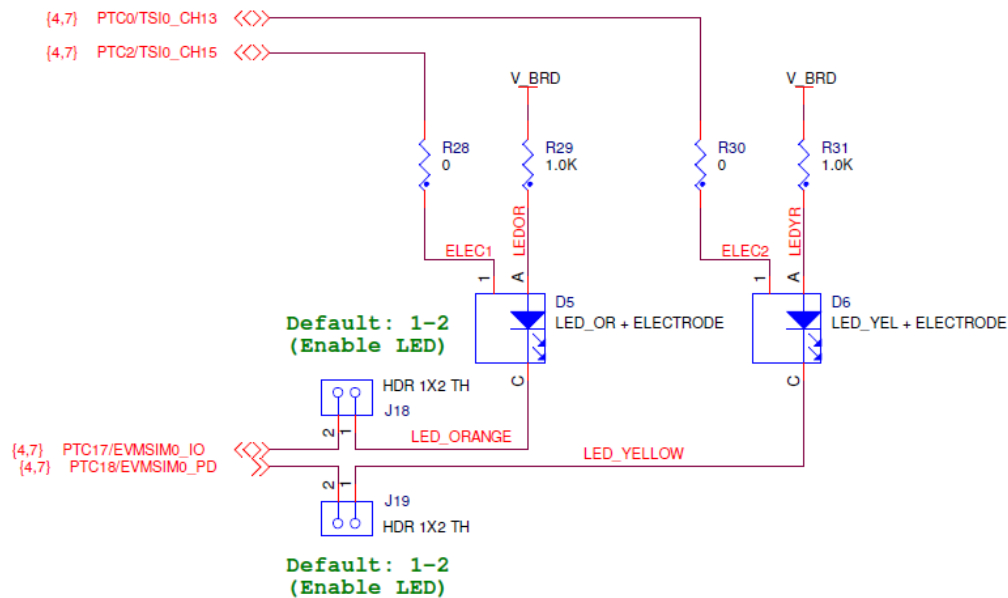
Table 4. ARM JTAG/SWD mini connector description

Pin	Function	Connection to KL28Z
9	TDI	NC
10	RESET	PTA20

4.4. Capacitive touch pad

Two GPIO pins functioning as Touch Sense Input (TSI) signals, are connected to capacitive electrodes configured as a touch pad as shown in [Figure 7](#).

TOUCH ELECTRODES WITH LEDs

**Figure 7. Touch pad connection**

4.5. I2C Accelerometer Sensor

MMA8451Q is a small, low-power, 3-axis, linear accelerometer. The device features a selectable I²C or point-to-point SPI serial interface with 8-bit accelerometer and 14-bit magnetometer ADC resolution along with smart-embedded functions. It is interfaced through an I²C bus and two GPIO signals as shown in [Figure 8](#) and [Table 5](#) below.

By default, the I²C address is 0x1D.

ACCELEROMETER

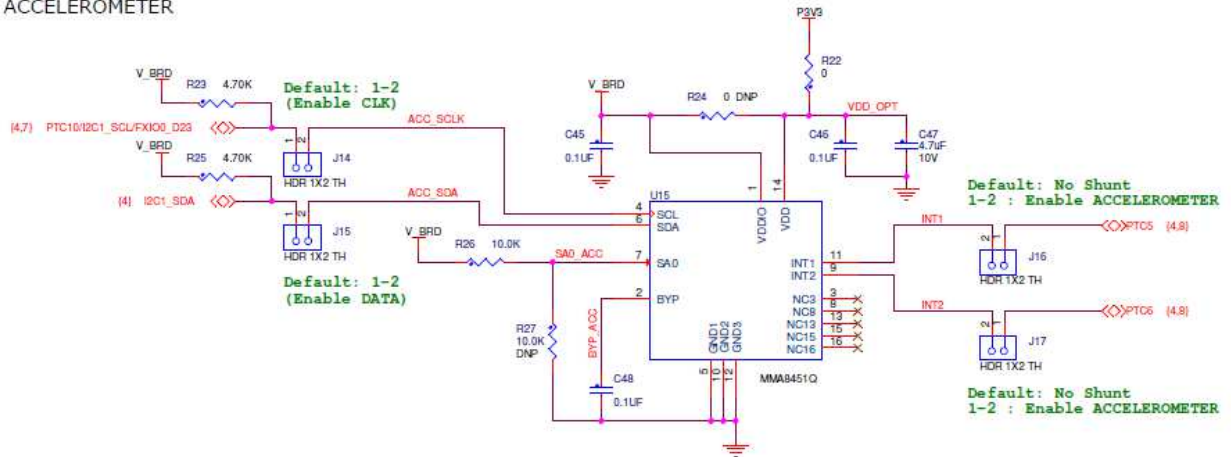


Figure 8. MMA8451Q schematic diagram

Table 5. Accelerometer FXOS8700CQ signal connections

MMA8451Q	KL28Z
SCL	PTC11
SDA	PTC10
INT1	PTC5
INT2	PTC6

4.6. LED

Four PWM-capable KL28Z signals are connected to four LEDs.

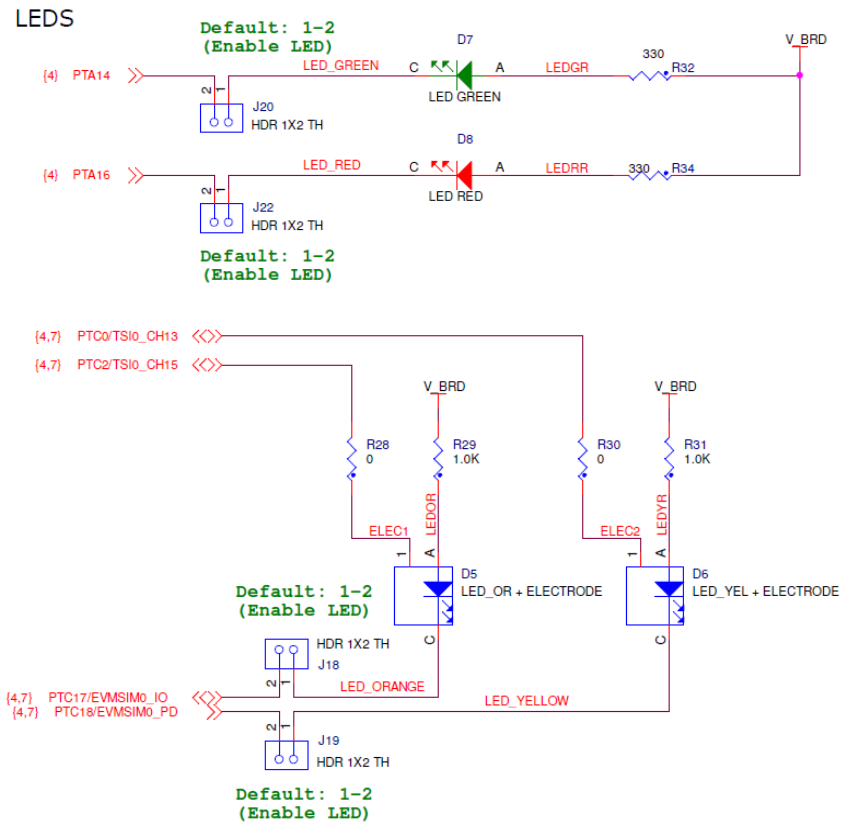


Figure 9. LED schematic diagram

4.7. Analog reference voltage

The onboard ADC of the TWR KL28Z uses the Reference Voltage High (VREFH) and Reference Voltage Low (VREFL) pins to set high and low voltage references for the analog modules. By default VREFH is attached to P3V3_KL28Z (3.3 V Supply). VREFL is connected to GND.

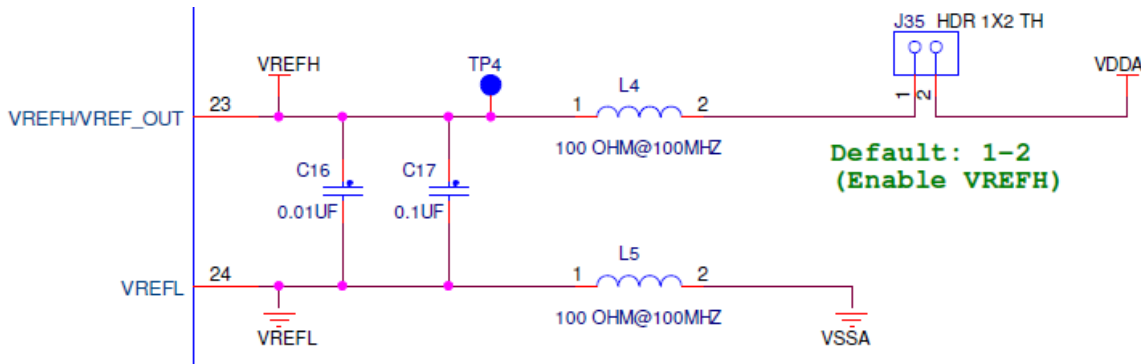


Figure 10. VREFH circuit schematic

If desired, VREFH can use a VDDA independent reference by cut J35 jumper.

4.8. Input/output headers

The MKL28 MCU is packaged in a 100-pin LQFP. Some pins are utilized by on-board circuitry, but many are directly connected to one of four I/O headers (J13, J25, J24, J26) as shown in *Figure 11* below.

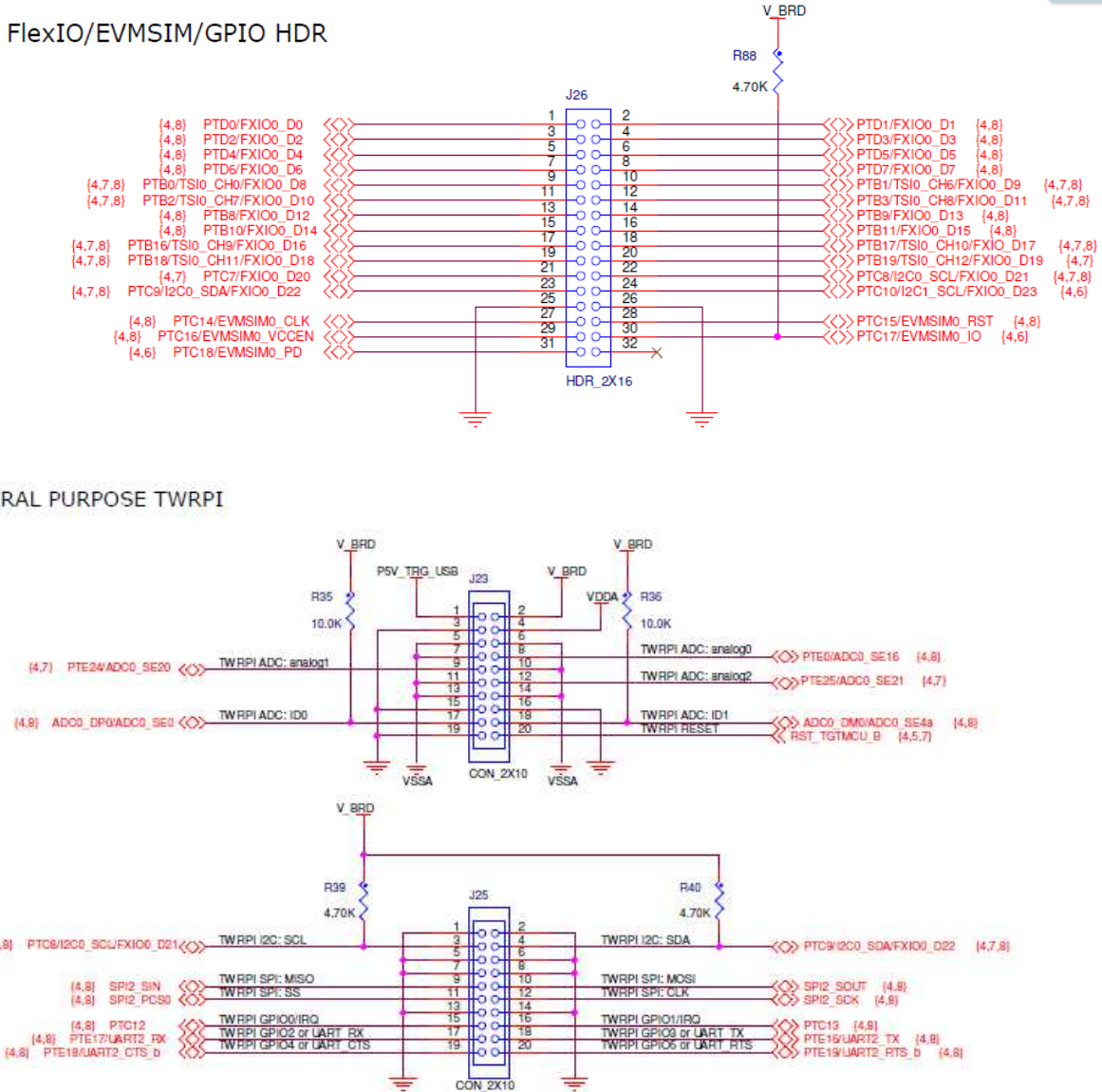


Figure 11. Input/output header

5. References

The reference documents for the TWR-KL28Z hardware are shown below. All documents can be found at nxp.com

- TWR-KL28Z Quick Start Guide
- TWR-KL28Z User's Guide
- TWR-KL28Z Schematics PDF
- KL28 Sub-Family Reference Manual

6. Revision History

Table 6. Revision history

Revision number	Date	Substantive changes
0	06/2016	Initial release

How to Reach Us:

Home Page:

nxp.com

Web Support:

nxp.com/support

Information in this document is provided solely to enable system and software implementers to use NXP products. There are no express or implied copyright licenses granted hereunder to design or fabricate any integrated circuits based on the information in this document. NXP reserves the right to make changes without further notice to any products herein.

NXP makes no warranty, representation, or guarantee regarding the suitability of its products for any particular purpose, nor does NXP assume any liability arising out of the application or use of any product or circuit, and specifically disclaims any and all liability, including without limitation consequential or incidental damages. "Typical" parameters that may be provided in NXP data sheets and/or specifications can and do vary in different applications, and actual performance may vary over time. All operating parameters, including "typicals," must be validated for each customer application by customer's technical experts. NXP does not convey any license under its patent rights nor the rights of others. NXP sells products pursuant to standard terms and conditions of sale, which can be found at the following address:

nxp.com/SalesTermsandConditions.

NXP, the NXP logo, NXP SECURE CONNECTIONS FOR A SMARTER WORLD, and Kinetis, are trademarks of NXP B.V. All other product or service names are the property of their respective owners.

ARM, the ARM powered logo, and Cortex are registered trademarks of ARM Limited (or its subsidiaries) in the EU and/or elsewhere. All rights reserved.

© 2016 NXP B.V.

Document Number: TWRKL28ZUG

Rev. 0

06/2016

