



Chipsmall Limited consists of a professional team with an average of over 10 year of expertise in the distribution of electronic components. Based in Hongkong, we have already established firm and mutual-benefit business relationships with customers from,Europe,America and south Asia,supplying obsolete and hard-to-find components to meet their specific needs.

With the principle of “Quality Parts,Customers Priority,Honest Operation,and Considerate Service”,our business mainly focus on the distribution of electronic components. Line cards we deal with include Microchip,ALPS,ROHM,Xilinx,Pulse,ON,Everlight and Freescale. Main products comprise IC,Modules,Potentiometer,IC Socket,Relay,Connector.Our parts cover such applications as commercial,industrial, and automotives areas.

We are looking forward to setting up business relationship with you and hope to provide you with the best service and solution. Let us make a better world for our industry!



Contact us

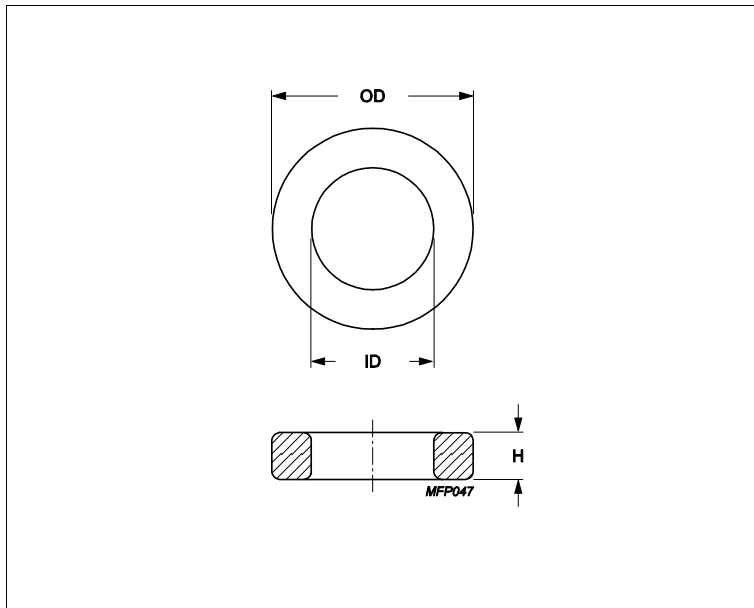
Tel: +86-755-8981 8866 Fax: +86-755-8427 6832

Email & Skype: info@chipsmall.com Web: www.chipsmall.com

Address: A1208, Overseas Decoration Building, #122 Zhenhua RD., Futian, Shenzhen, China



Core **Toroid 107/65/18**



Effective parameters			
	Parameter	Value	Unit
$\Sigma(I/A)$	core factor (C1)	0.7	mm ⁻¹
Ve	effective volume	96000	mm ³
Le	effective length	259	mm
Ae	effective area	370	mm ²
m	mass of core	≈ 456	g/pcs

Epoxy coating DC isolation voltage 2000.

Maximum operating temperature of the coating is 200°C.

Dimensions (mm)				
Cores	OD	ID	H	
T107/65/18	107 ± 2	65 ± 1.3	18 ± 0.35	Uncoated
TX107/65/18	109.5 max	63.3 min	18.85 max	Epoxy Coated

Core data				
Cores	Material	AI (nH/turns ²)	AI tolerance	μe
T107/65/18	3C11	7720	± 25%	≈ 4300
T107/65/18	3C94	4130	± 25%	≈ 2300
T107/65/18	3E27	9870	± 25%	≈ 5500
Core data				
Cores	Material	AI (nH/turns ²)	AI tolerance	μe
TX107/65/18	3C11	7720	± 25%	≈ 4300
TX107/65/18	3C94	4130	± 25%	≈ 2300
TX107/65/18	3E27	9870	± 25%	≈ 5500