



Chipsmall Limited consists of a professional team with an average of over 10 year of expertise in the distribution of electronic components. Based in Hongkong, we have already established firm and mutual-benefit business relationships with customers from,Europe,America and south Asia,supplying obsolete and hard-to-find components to meet their specific needs.

With the principle of “Quality Parts,Customers Priority,Honest Operation,and Considerate Service”,our business mainly focus on the distribution of electronic components. Line cards we deal with include Microchip,ALPS,ROHM,Xilinx,Pulse,ON,Everlight and Freescale. Main products comprise IC,Modules,Potentiometer,IC Socket,Relay,Connector.Our parts cover such applications as commercial,industrial, and automotives areas.

We are looking forward to setting up business relationship with you and hope to provide you with the best service and solution. Let us make a better world for our industry!



## Contact us

Tel: +86-755-8981 8866 Fax: +86-755-8427 6832

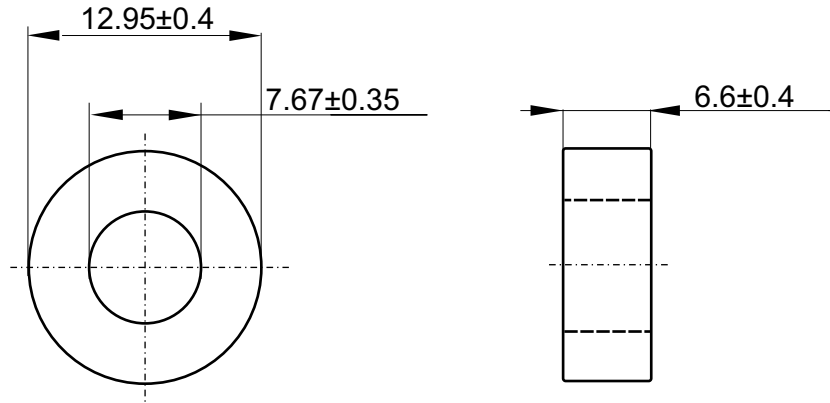
Email & Skype: info@chipsmall.com Web: www.chipsmall.com

Address: A1208, Overseas Decoration Building, #122 Zhenhua RD., Futian, Shenzhen, China



Nazwa / Name  
 Numer kodu / Code number

TX13/7.9/6.4-4C65  
 4327 030 48061



**Magnetical dimensions according to: / Właściwości magnetyczne zgodne z: IEC 205**

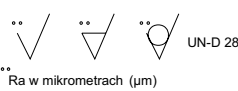
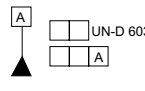
$\Sigma I/A$ (mm <sup>-1</sup> )	$\Sigma I/A^2$ (mm <sup>-3</sup> )	$A_e$ : 14.9 mm <sup>2</sup>	$l_e$ : 31.52 mm	$V_e$ : 465 mm <sup>3</sup>
2.1	0.14			Weight/Waga: ≈ 2.3 g

**Specified value / Wartości specyfikowane**

Symbol Symbol	Nominal Nominał	Tolerance Tolerancja	Unit Jednostka	Frequency Częstotliwość f [kHz]	Induction Indukcyjność [mT]	Equipment (Sprzęt pomiarowy) (1)	Temperature Temperatura t [°C]
Al	75	±25%	nH	10	≤0.1	HP-4284-A	25±3
tg δ/μ	130x10 <sup>-6</sup>	≤	---	10 <sup>4</sup>		HP-4285-A	

(1) Or similar / Lub podobny

**VISUAL REQUIREMENTS according to: I-15-002**  
**KONTROLA WIZUALNA według: I-15-002**  
**High voltage insulation >1.5kV / Napięcie przebicia izolacji >1.5kV**

		Tolerances unless otherwise stated Tolerancja (jeśli nie ustalono inaczej) Dimensions Wymiary <b>±3%</b>   Angle Kąt				Name Nazwisko Jarosław Ruta		Signature Podpis _____		Date Data _____	
General Roughness Chropowatość Unit Jednostka mm.		<b>MATERIAL 4C65</b> acc. to <b>MATERIAL 4C65</b> zgodnie z:		<b>KPN-K9600</b>		Check Sprawdził Approval Zatwierdził Other Inne		Jarosław Ruta Szczepan Frydrych		<b>UNCONTROLLED COPY</b> generated electronically, conform with original up to the date of its creation <b>KOPIA NIEKONTROLOWANA</b> wygenerowana elektronicznie, zgodna z oryginałem w dniu jego zatwierdzenia	
Scale None Skala Brak PROJ.EURO PROJ.EURO		<b>TX13/7.9/6.4-4C65</b> Toroid coated: Epoxy Cream RAL 1014 Toroid pokryty: Epoxy kremowy RAL 1014		TYPE NUMBER / TYP ---		LAB REF No. ---		<b>4327 030 48060</b>		D C B A 09-04-01	
Status/Status		Issued by: M.Zagórska / K.S. SUPERSEDES ZASTĘPUJE		SHEETS STRONY <b>1</b> SHEET STRONA <b>110-02</b>		DATE DATA 09-04-01		Property of WŁAŚCICIEL		Ferroxcube Polska Sp. z o.o. SKIERNIEWICE, POLAND	
K.S.		Property of WŁAŚCICIEL		DATE DATA 09-04-01		A-4		A-4		A-4	