



Chipsmall Limited consists of a professional team with an average of over 10 year of expertise in the distribution of electronic components. Based in Hongkong, we have already established firm and mutual-benefit business relationships with customers from,Europe,America and south Asia,supplying obsolete and hard-to-find components to meet their specific needs.

With the principle of “Quality Parts,Customers Priority,Honest Operation,and Considerate Service”,our business mainly focus on the distribution of electronic components. Line cards we deal with include Microchip,ALPS,ROHM,Xilinx,Pulse,ON,Everlight and Freescale. Main products comprise IC,Modules,Potentiometer,IC Socket,Relay,Connector.Our parts cover such applications as commercial,industrial, and automotives areas.

We are looking forward to setting up business relationship with you and hope to provide you with the best service and solution. Let us make a better world for our industry!



Contact us

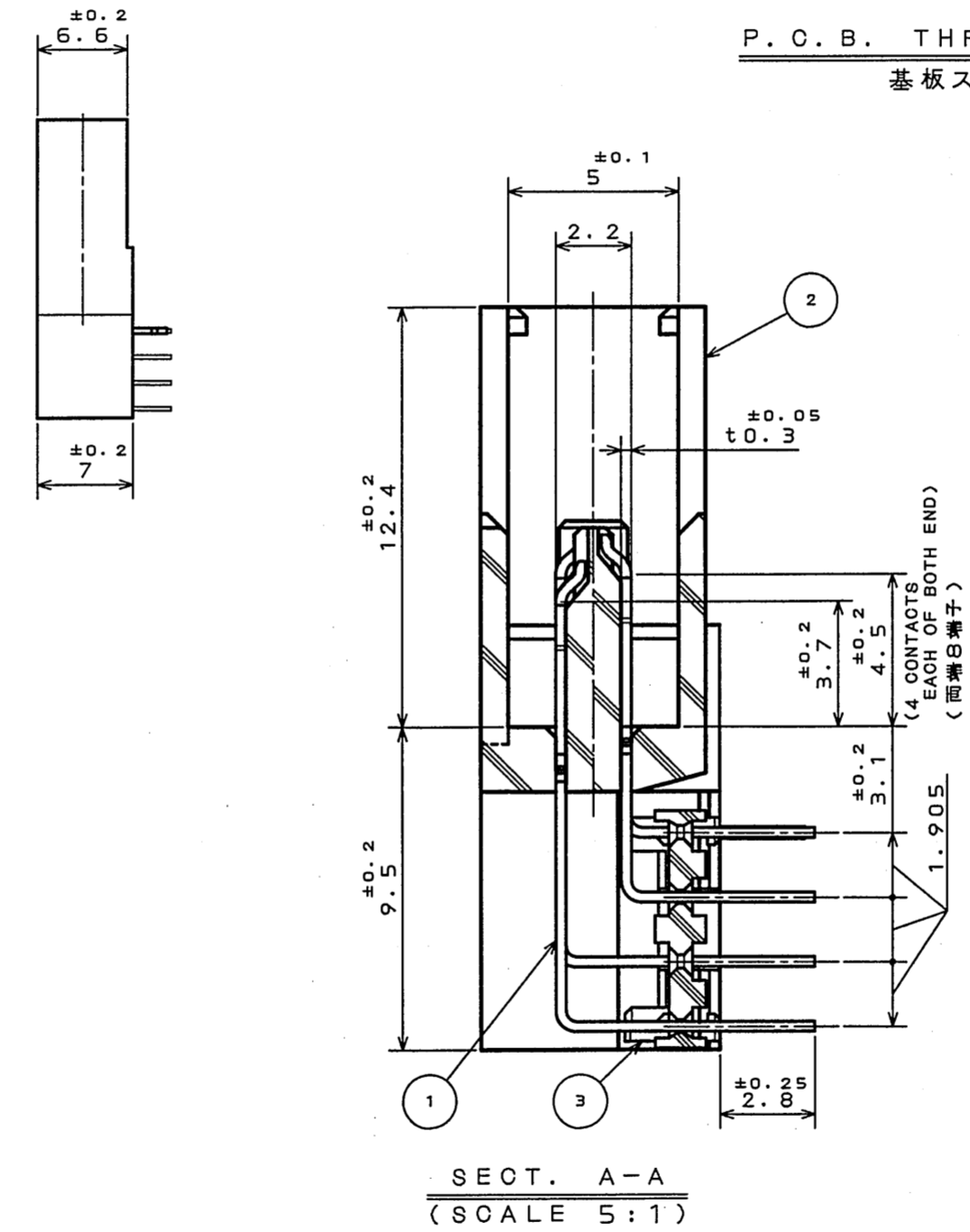
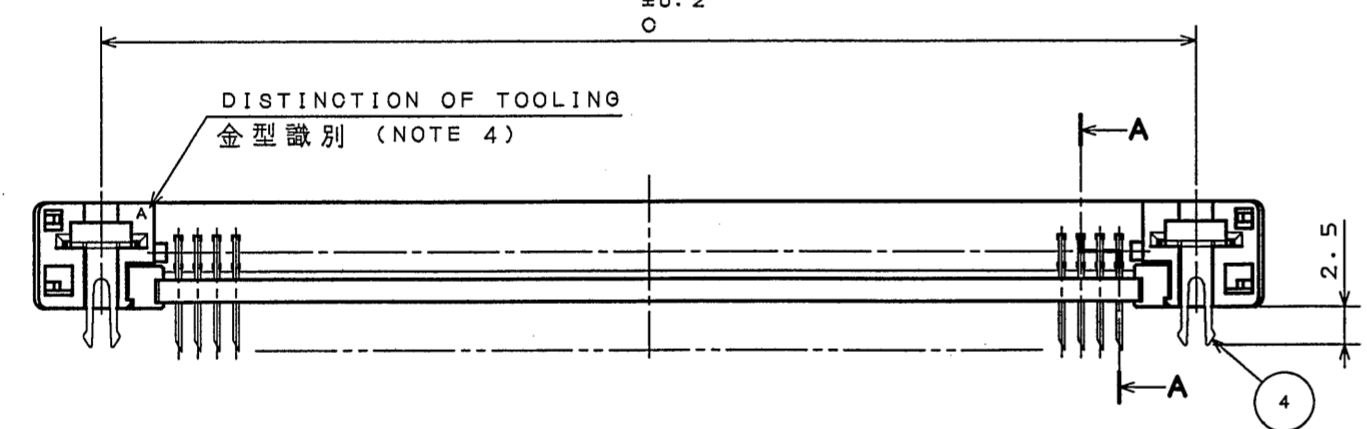
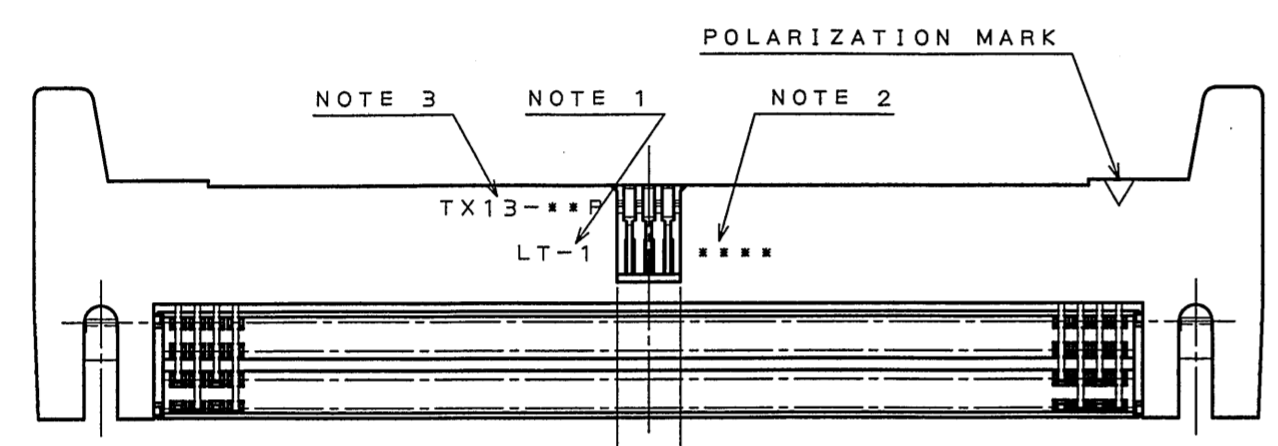
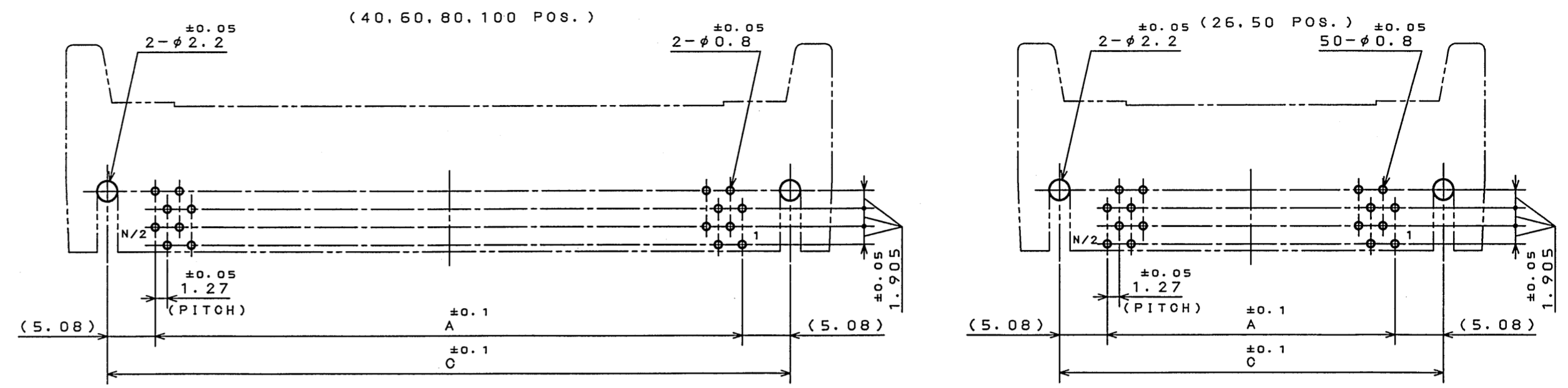
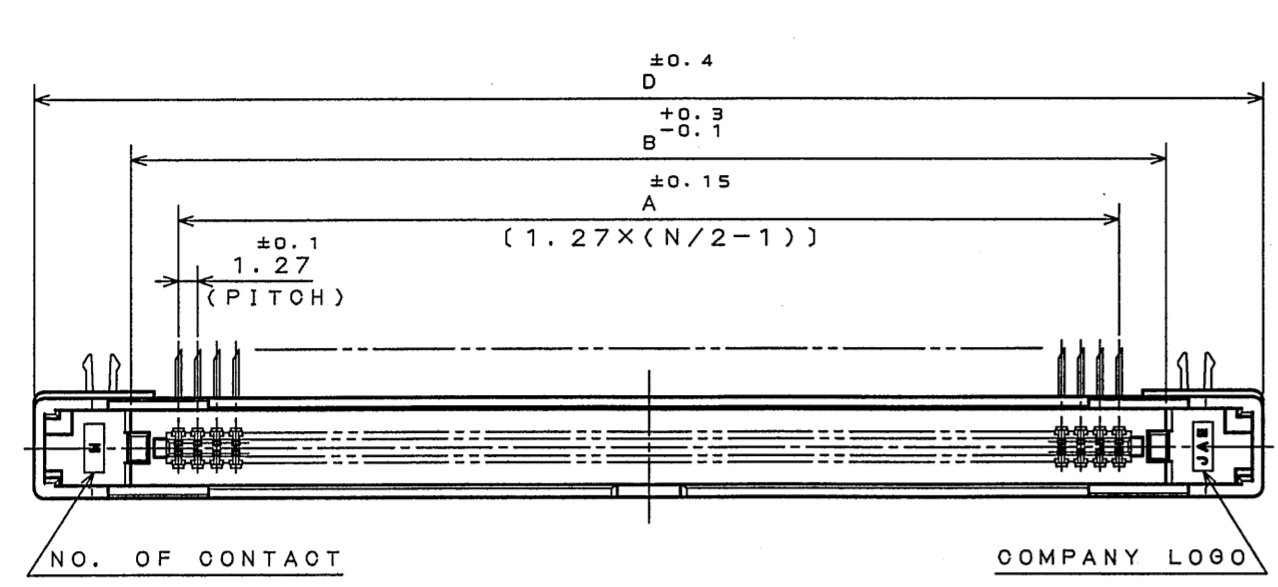
Tel: +86-755-8981 8866 Fax: +86-755-8427 6832

Email & Skype: info@chipsmall.com Web: www.chipsmall.com

Address: A1208, Overseas Decoration Building, #122 Zhenhua RD., Futian, Shenzhen, China



版数 REV.	年月日 DATE	DCN NO.	変更内容 DESCRIPTION	製図 DR.	担当 CHK.	査閲 APPD.	承認 APPD.



DESIGNATION 命名法
TX13-※P-D2LT-H*E

(LEAD FREE)TIN/TIN ALLOY
錫又は錫合金(無鉛)

MODIFICATION CODE
モディフィケーションコード

CONTACT FINISH 2:0.3 μm MIN GOLD OVER NICKEL
コンタクト仕上 2:N1上Au0.3μm以上

HOOK PIN H:WITH HOOK PIN
フックピン N:NONE HOOK PIN
H:有 N:無

TERMINATION STYLE ST:STRAIGHT THROUGH HOLE
結線部形状 LT:RIGHT ANGLE THROUGH HOLE
ST:ストレートスルーホール
LT:ライトアングルスルーホール

ROWS
列 D2:2列

CONNECTOR TYPE P:PLUG R:RECEPTACLE
コネクタ区分 P:プラグコネクタ R:レセプタクルコネクタ

NO. OF CONTACT
芯数

SERIES
シリーズ名

NOTE 1. FINISH NUMBER (TABLE 1) IS MARKED AS INDICATED.
2. PRODUCTION LOT NUMBER IS MARKED AS INDICATED.
(ex.) A 4 4 1
A: LOT NUMBER OF CURRENT MONTH
4: MONTH (1 TO 9 FOR JAN. TO SEP. RESPECTIVELY, OCT.: 10, NOV.: X, DEC.: Y)
1: YEAR (LAST DIGIT ONLY)
MANUFACTURE CODE

3. ABBREVIATED PART NUMBER IS MARKED AS INDICATED.
(ONLY NUMBER OF CONTACT IS MARKED IN CASE OF LESS THAN 40 POSITIONS.) (EX.) 40P

4. METHOD OF DISTINGUISHING TOOLING IS (NON-MARK OR MARK OF A, B, C, ...).

注1. 図示の位置に、仕上記号(表1参照)を捺印する。
2. 図示の位置に、ロット番号を表示する。
(例) A 4 4 1
A: 月の生産ロット番号
4: 月表示(1~9(10月:O, 11月:X, 12月:Y))
4: 年表示(西暦末尾)
1: 製造コード

3. 図示の位置に、品名略称を捺印する。
(40芯以下の物は、芯数のみ捺印する。例 40P)

4. 金型の識別の方法は(無印, A, B, C, ...)

TABLE 1

CONTACT FINISH	1	2	3
CONTACT AREA	0.1 μm MIN GOLD OVER NICKEL	0.3 μm MIN GOLD OVER NICKEL	0.76 μm MIN GOLD OVER NICKEL
TERMINAL AREA	(LEAD FREE)TIN/TIN ALLOY OVER NICKEL		

TABLE 2

PART NO.	NO. OF CONTACT N	A	B	C	D
TX13- 26P-D2LT-H*E	26	15.24	21.44	25.4	34.24
TX13- 40P-D2LT-H*E	40	24.13	30.33	34.29	43.13
TX13- 50P-D2LT-H*E	50	30.48	36.68	40.64	49.48
TX13- 60P-D2LT-H*E	60	36.83	43.03	46.99	55.83
TX13- 80P-D2LT-H*E	80	49.53	55.73	59.69	68.53
TX13-100P-D2LT-H*E	100	62.23	68.43	72.39	81.23

4	HOOK PIN	2	PHOSPHOR BRONZE	REFLOW TIN	
3	LOCATOR	1	GLASS FILLED NY		UL94V-0 COLOR:BLACK
2	INSULATOR	1	GLASS FILLED NY		UL94V-0 COLOR:BLACK
1	CONTACT	TABLE 2	COPPER ALLOY	TABLE 1	
符号 NO.	名称 DESCRIPTION	個数 QTY.	材料 MATERIAL	仕上 FINISH	備考 REMARKS
仕様書(SPECIFICATION)	JAOS-1323 A101223	第1版(ORIGINAL DATE) 26.Apr.2004	尺度(SCALE) 2:1	シリーズ(SERIES) TX	日本航空電子工業株式会社 JAPAN AVIATION ELECTRONICS INDUSTRY, LTD.
公差(GENERAL TOLERANCE)	寸法(DIMENSION)	角度(ANGLES)	製図 DR. H.SAKURADA	担当 CHK. R.KATOU	図面番号(DRAWING NO.) SJ101223
.X ±0.8	.X ±0.4	X° ±	査閲 APPD. Y.YAHIRO	承認 APPD. M.Murim	版数(REV.) 1
.XX ±0.1	.XXX ±	XXX ±			