



Chipsmall Limited consists of a professional team with an average of over 10 year of expertise in the distribution of electronic components. Based in Hongkong, we have already established firm and mutual-benefit business relationships with customers from,Europe,America and south Asia,supplying obsolete and hard-to-find components to meet their specific needs.

With the principle of “Quality Parts,Customers Priority,Honest Operation,and Considerate Service”,our business mainly focus on the distribution of electronic components. Line cards we deal with include Microchip,ALPS,ROHM,Xilinx,Pulse,ON,Everlight and Freescale. Main products comprise IC,Modules,Potentiometer,IC Socket,Relay,Connector.Our parts cover such applications as commercial,industrial, and automotives areas.

We are looking forward to setting up business relationship with you and hope to provide you with the best service and solution. Let us make a better world for our industry!



Contact us

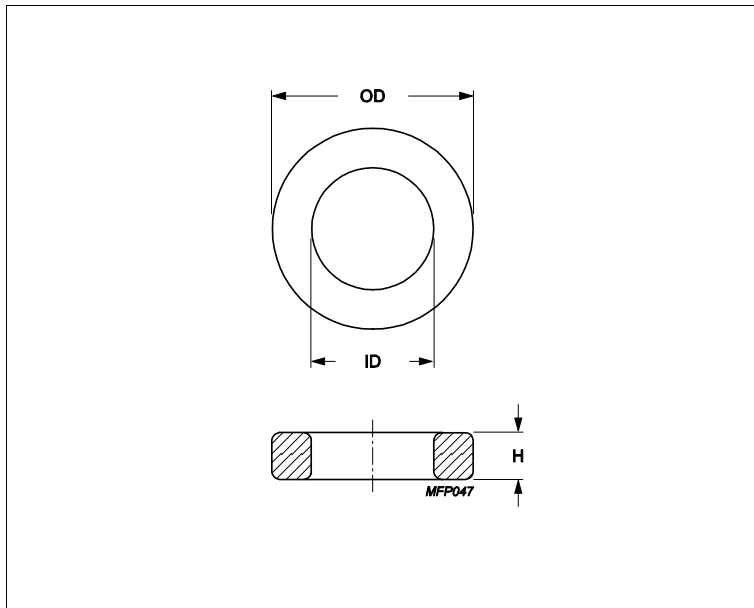
Tel: +86-755-8981 8866 Fax: +86-755-8427 6832

Email & Skype: info@chipsmall.com Web: www.chipsmall.com

Address: A1208, Overseas Decoration Building, #122 Zhenhua RD., Futian, Shenzhen, China



Core **Toroid 16/9.6/6.3**



Effective parameters			
	Parameter	Value	Unit
$\Sigma(I/A)$	core factor (C1)	1.95	mm ⁻¹
Ve	effective volume	760	mm ³
Le	effective length	38.5	mm
Ae	effective area	19.7	mm ²
m	mass of core	≈ 3.8	g/pcs

Epoxy coating DC isolation voltage 1500.

Maximum operating temperature of the coating is 200°C.

Dimensions (mm)

Cores	OD	ID	H	
TX16/9.6/6.3	16.75 max	8.95 min	6.95 max	Epoxy Coated

Core data

Cores	Material	AI (nH/turns ²)	AI tolerance	$\mu\epsilon$
TX16/9.6/6.3	3C94	1480	± 25%	≈ 2300
TX16/9.6/6.3	3E10	6440	± 20%	≈ 10000
TX16/9.6/6.3	3E12	7730	± 30%	≈ 12000
TX16/9.6/6.3	3E27	3540	± 25%	≈ 5500
TX16/9.6/6.3	3E6 (3E10-M)	6440	± 30%	≈ 10000
TX16/9.6/6.3	3E65	3350	± 25%	≈ 5200