



Chipsmall Limited consists of a professional team with an average of over 10 year of expertise in the distribution of electronic components. Based in Hongkong, we have already established firm and mutual-benefit business relationships with customers from,Europe,America and south Asia,supplying obsolete and hard-to-find components to meet their specific needs.

With the principle of “Quality Parts,Customers Priority,Honest Operation,and Considerate Service”,our business mainly focus on the distribution of electronic components. Line cards we deal with include Microchip,ALPS,ROHM,Xilinx,Pulse,ON,Everlight and Freescale. Main products comprise IC,Modules,Potentiometer,IC Socket,Relay,Connector.Our parts cover such applications as commercial,industrial, and automotives areas.

We are looking forward to setting up business relationship with you and hope to provide you with the best service and solution. Let us make a better world for our industry!



Contact us

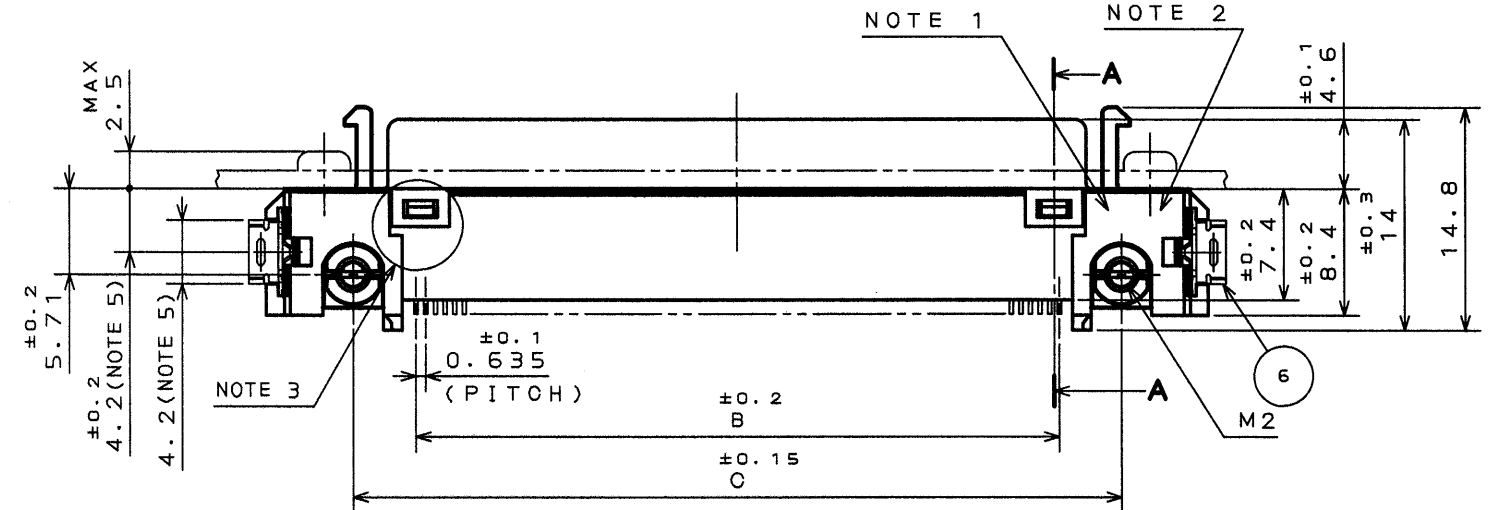
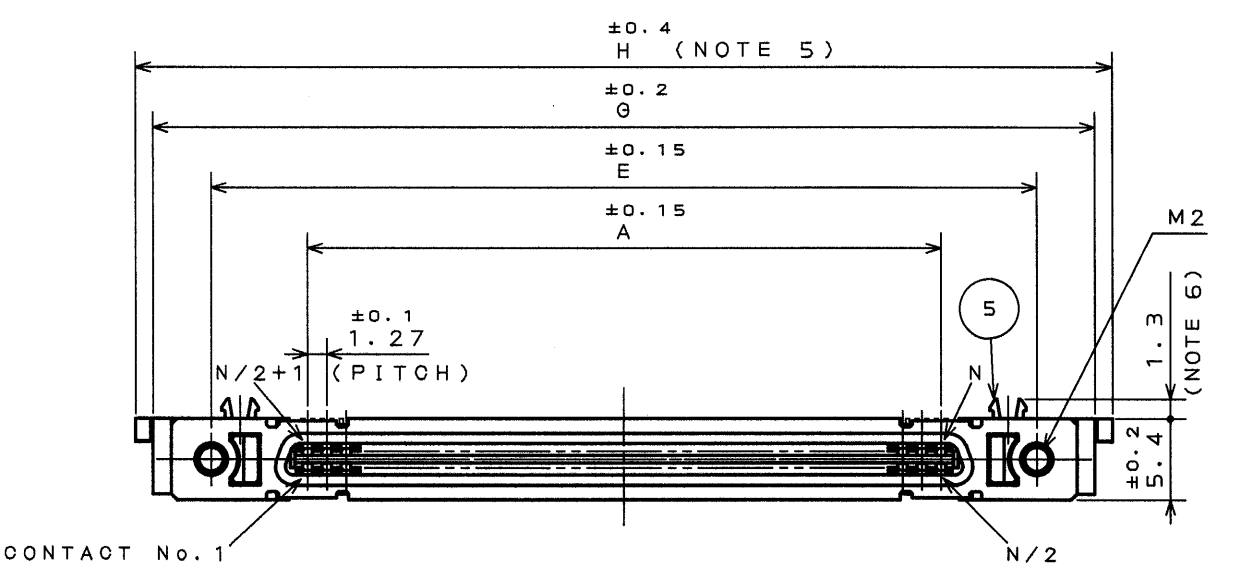
Tel: +86-755-8981 8866 Fax: +86-755-8427 6832

Email & Skype: info@chipsmall.com Web: www.chipsmall.com

Address: A1208, Overseas Decoration Building, #122 Zhenhua RD., Futian, Shenzhen, China

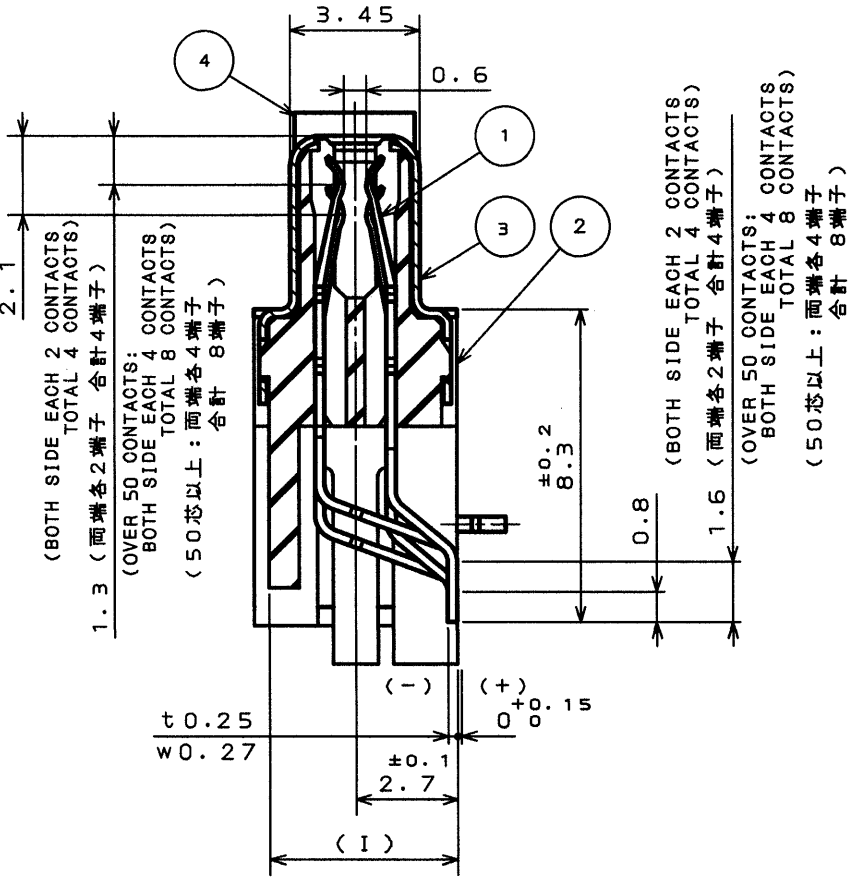


版次 REV.	年月日 DATE	DCN NO.	変更内容 DESCRIPTION	製図 DR.	担当 CHK.	査閲 APPD.	承認 APPD.



MATING STYLE MARK
 S: STANDARD
 R: REVERSE
 嵌合部形状マーク
 S:スタンダード
 R:リバース

TOOLING MARK
 金型マーク



SECT. A-A
 (SCALE 5:1)

NOTE 1. PRODUCTION LOT NUMBER AS INDICATED.
 (EX.) A 0 8 1
 LOT NUMBER OF CURRENT MONTH
 MONTH (1 TO 9 FOR JAN. TO SEPT. RESPECTIVELY,
 OCT.: 0, NOV.: X, DEC.: Y)
 YEAR (LAST DIGIT ONLY)
 MANUFACTURE CODE

2. LAST NUMBER OF FINISH MARK AS INDICATED. HOWEVER THERE IS NO MARK ONLY IN CASE FINISH NUMBER IS 1.
3. NUMBER OF THE DEPRESSED SLOTS VARY DEPENDING ON CONNECTOR SIZES.
4. THIS DRAWING SHOWS JAE P/N OF TX20A-*R-D20F1-A*LME CONNECTOR WHICH HAS BOTH HOLD DOWN AND HOOK PIN/ EXPANSION POST.
5. DIMENSION SHOWN ABOVE IS ONLY REQUIRED IN CASE OF THE CONNECTOR TYPE WITH HOLD DOWN.
6. DIMENSION SHOWN ABOVE IS ONLY REQUIRED IN CASE OF THE CONNECTOR TYPE WITH HOOK PIN.

1. 図示の位置に、ロット番号を表示する。
 (例) A 0 8 1
 月の生産ロット番号
 月表示: 1~9 (10月: 0, 11月: X, 12月: Y)
 年表示 (西暦末尾)
 製造コード

2. 図示の位置に仕上記号の末尾数字を表示する。但し、A1の場合は、省略する。
3. 図示の形状は、芯数により異なる。
4. 本図は、ホールドダウン、フックピンを共に有するモデル (TX20A-*R-D20F1-A*LME) である。
5. ホールドダウンを有する時のみ必要である。
6. フックピンを有する時のみ必要である。

TABLE 1

PARTS NUMBER	NUMBER OF CONTACTS (N)	A	B	C	D	E	F	G	H	I
TX20A-10R-D20F1-A*LME	10	5.08	5.715	13.97	15.48	17.78	25.28	25.48	27.88	5.25
TX20A-14R-D20F1-A*LME	14	7.62	8.255	16.51	18.02	20.32	27.82	28.02	30.32	5
TX20A-26R-D20F1-A*LME	26	15.24	15.875	24.13	25.64	27.94	35.44	35.64	37.94	5.4
TX20A-36R-D20F1-A*LME	36	21.59	22.225	30.48	31.99	34.29	41.79	41.99	44.29	5
TX20A-50R-D20F1-A*LME	50	30.48	31.115	39.37	40.88	43.18	50.68	50.88	53.18	5
	60	36.83	37.465	45.72	47.23	49.53	57.03	57.23	59.53	5
TX20A-68R-D20F1-A*LME	68	41.91	42.545	50.80	52.31	54.61	62.11	62.31	64.61	5

TABLE 2

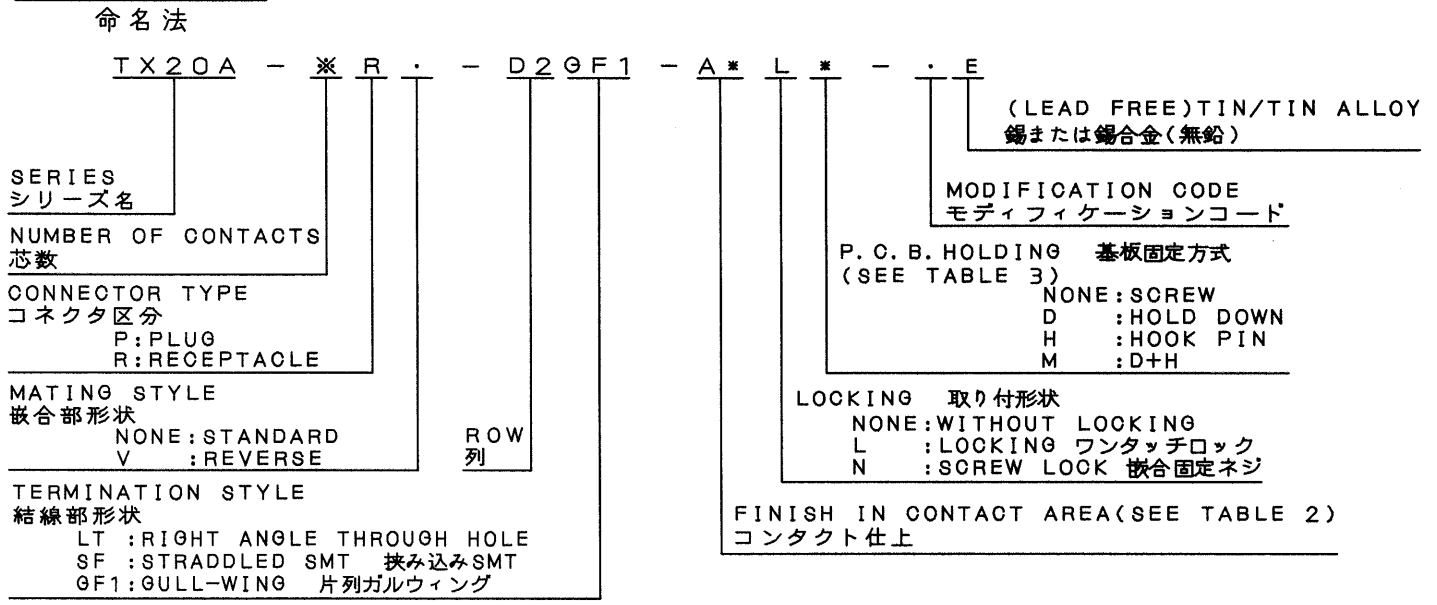
AREA	FINISH	A1	A2	A3
CONTACT AREA	GOLD (0.1 µm MIN.) OVER NICKEL	GOLD (0.3 µm MIN.) OVER NICKEL	GOLD (0.76 µm MIN.) OVER NICKEL	
TERMINAL AREA	(LEAD FREE) TIN/TIN ALLOY	(LEAD FREE) TIN/TIN ALLOY	(LEAD FREE) TIN/TIN ALLOY	

TABLE 3

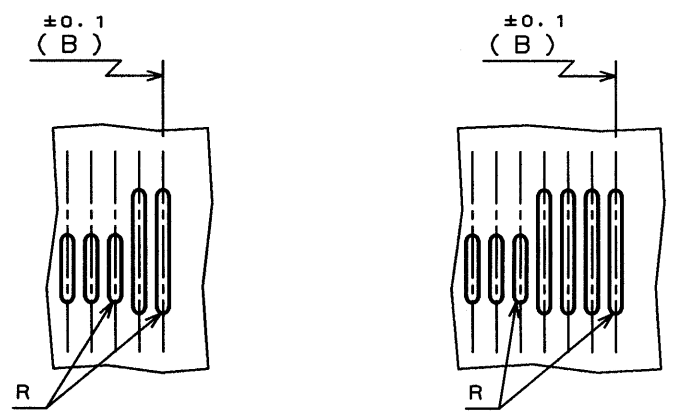
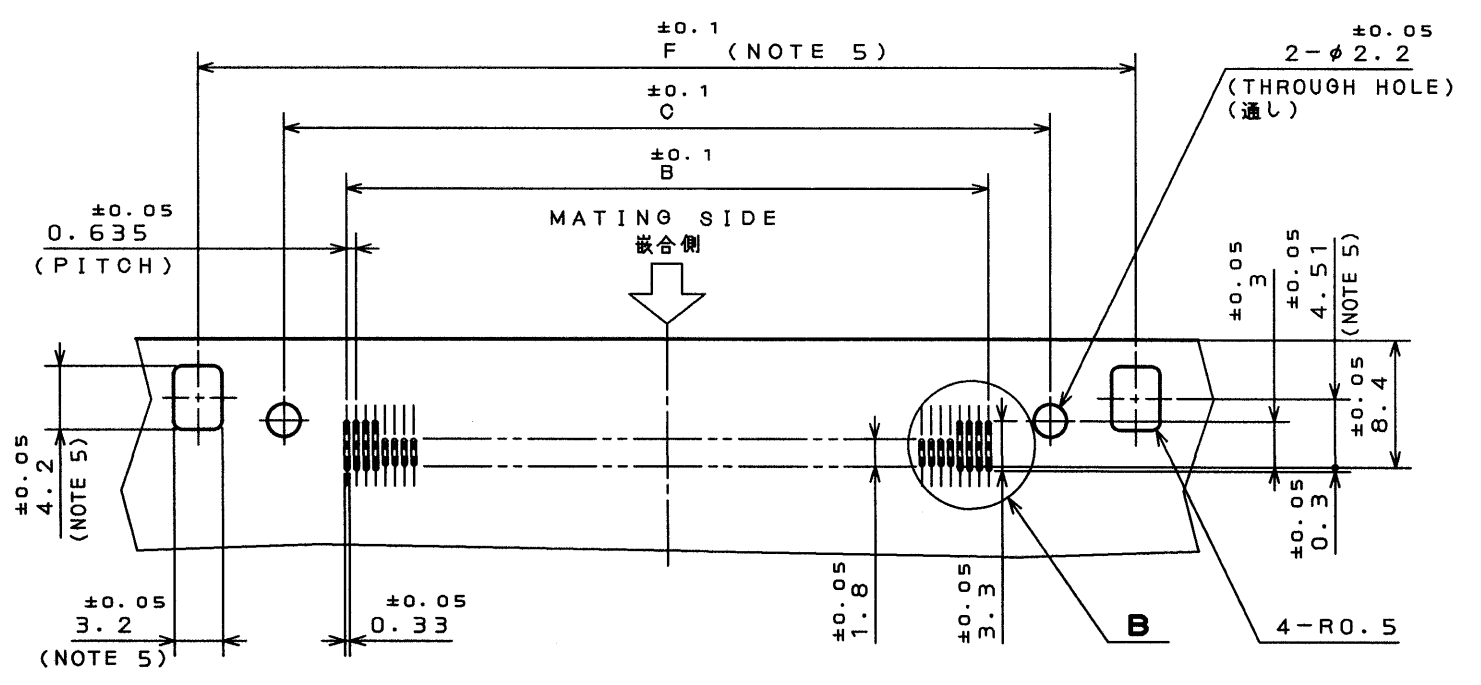
JAE DESCRIPTION	HOLD DOWN	HOOK PIN	MOUNTER #
TX20A-*R-D20F1-A*LME	W/O 無	W/O 無	N/A 手乗せ
TX20A-*R-D20F1-A*LDE	W/T 有	W/O 無	AVAILABLE 自動実装
TX20A-*R-D20F1-A*LHE	W/O 無	W/T 有	N/A 手乗せ
TX20A-*R-D20F1-A*LME	W/T 有	W/T 有	N/A 手乗せ

MOUNTER ##: AVAILABILITY FOR AUTOMATIC MULTI-FUNCTIONAL SMD PLACEMENT MACHINE.
 W/T: WITH W/O: WITHOUT N/A: NOT AVAILABLE

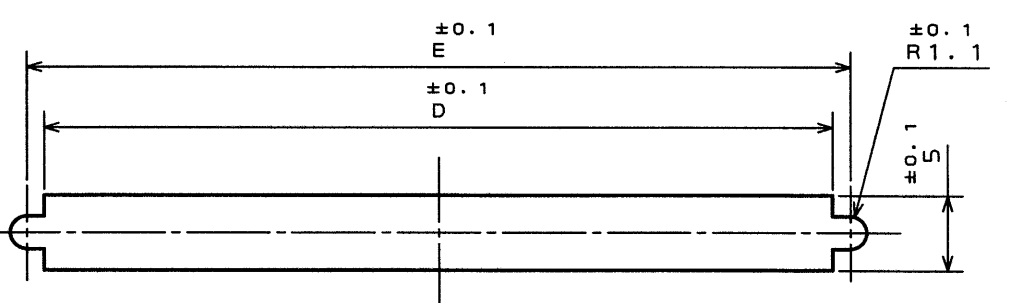
DESIGNATION
 命名法



APPLICABLE P.C.B. PATTERNS (REF.)
 P.C.B. THICKNESS 0.7 MIN.
 適合基板寸法 (参考) 基板厚 $t \geq 0.7$ 以上



DETAIL B (SCALE 5:1)



APPLICABLE PANEL PATTERNS (REF.)
 PANEL THICKNESS 1.2 MAX.
 適合パネル寸法 (参考)
 パネル厚 1.2 以下

6	HOLD DOWN	2	PHOSPHOR BRONZE	(LEAD FREE) TIN/TIN ALLOY	(NOTES)
5	HOOK PIN	2	PHOSPHOR BRONZE	(LEAD FREE) TIN/TIN ALLOY	(NOTE 6)
4	HOOK LUG	2	ZINC ALLOY	NICKEL PLATING	
3	SHELL	1	STEEL	NICKEL PLATING	
2	INSULATOR	1	GLASS FILLED PPS		COLOR: BLACK UL94V-0
1	CONTACT	N	PHOSPHOR BRONZE	TABLE 2	
符号 NO.	名 DESCRIPTION	個 数 QTY.	材 料 MATERIAL	仕 上 FINISH	備 考 REMARKS
仕様書 (SPECIFICATION)	JAS-1336 A025776		第1版 (ORIGINAL DATE) 3.MAR.2003	尺 寸 (SCALE) 2:1	シリーズ (SERIES) TX20A
製造 DR.	J. ICHIMURA			製図 DR.	J. ICHIMURA
担当 CHK.	T. MORITAKE			承認 APPD.	
製造 APPD.				承認 APPD.	K. Sato
寸法 (DIMENSION) 公差 (TOLERANCE)		° ±			
.X ± 0.4		X° ±			
.XX ± 0.1					
.XXX ±					
重量 (WEIGHT)					製図番号 (DRAWING NO.) SJ037791

DOF-0-213D(98-02)

8080 19-1-01-000-01 02