



Chipsmall Limited consists of a professional team with an average of over 10 year of expertise in the distribution of electronic components. Based in Hongkong, we have already established firm and mutual-benefit business relationships with customers from,Europe,America and south Asia,supplying obsolete and hard-to-find components to meet their specific needs.

With the principle of “Quality Parts,Customers Priority,Honest Operation,and Considerate Service”,our business mainly focus on the distribution of electronic components. Line cards we deal with include Microchip,ALPS,ROHM,Xilinx,Pulse,ON,Everlight and Freescale. Main products comprise IC,Modules,Potentiometer,IC Socket,Relay,Connector.Our parts cover such applications as commercial,industrial, and automotives areas.

We are looking forward to setting up business relationship with you and hope to provide you with the best service and solution. Let us make a better world for our industry!



Contact us

Tel: +86-755-8981 8866 Fax: +86-755-8427 6832

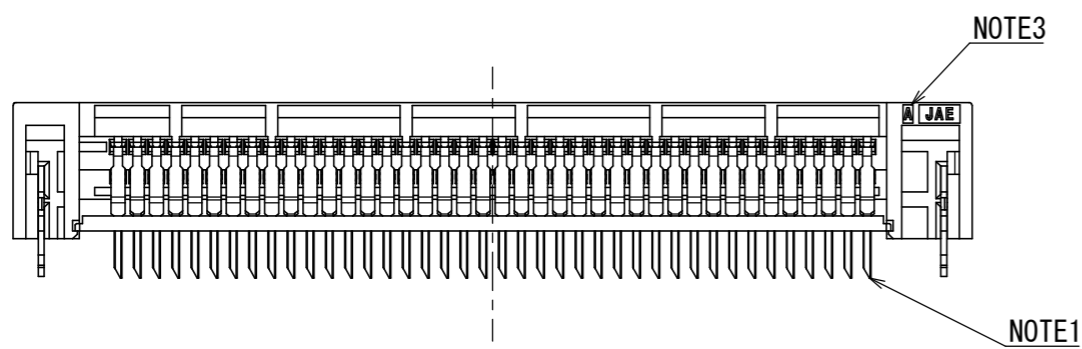
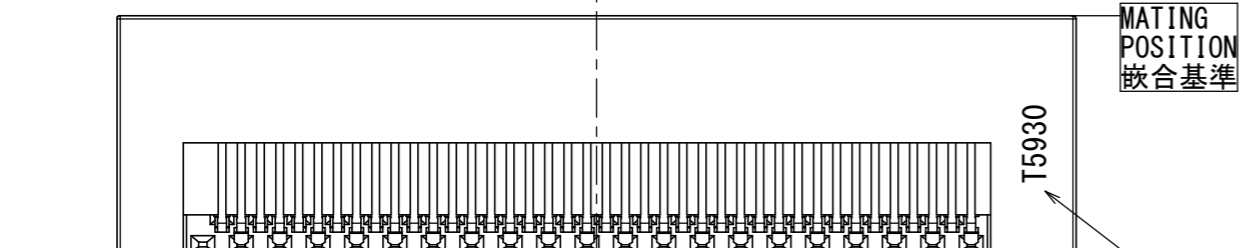
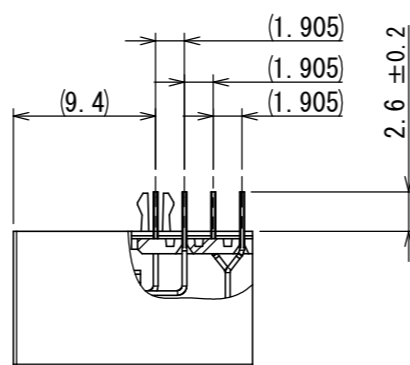
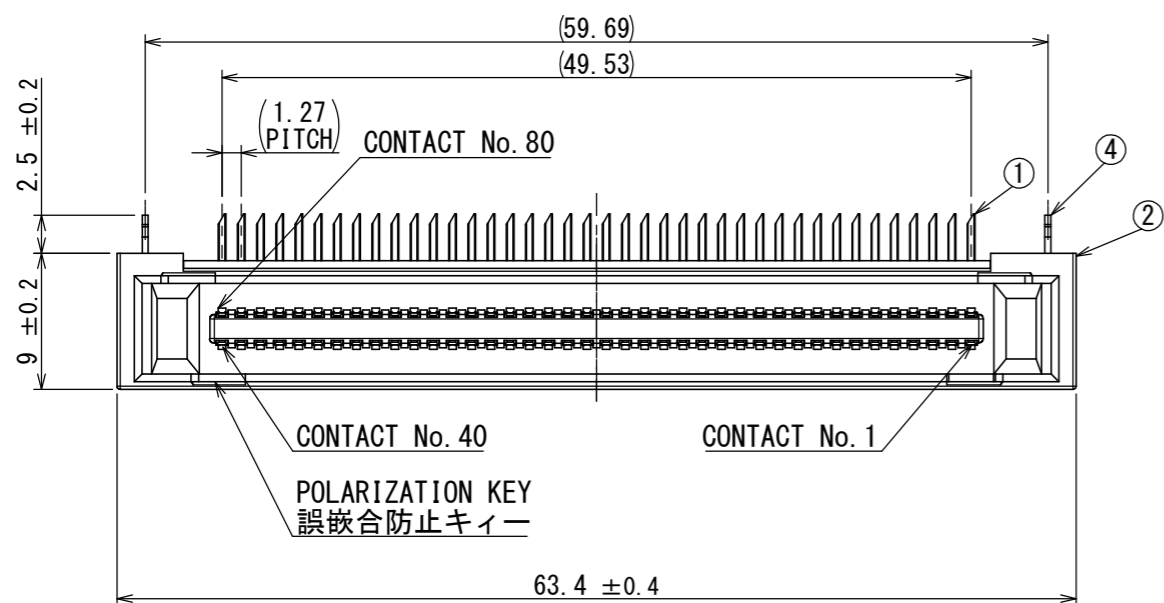
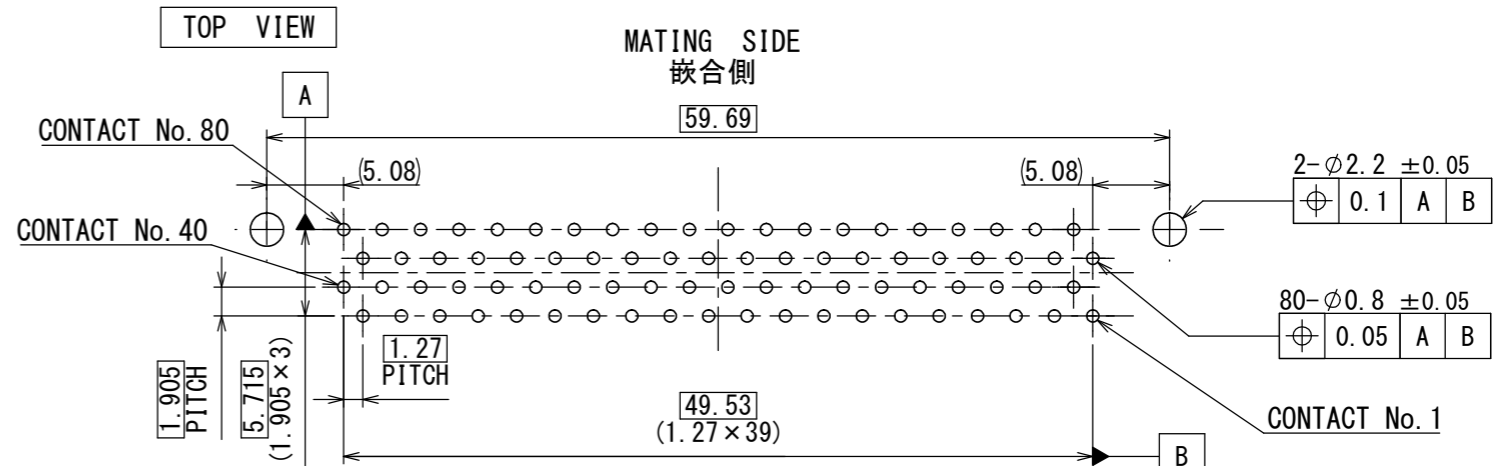
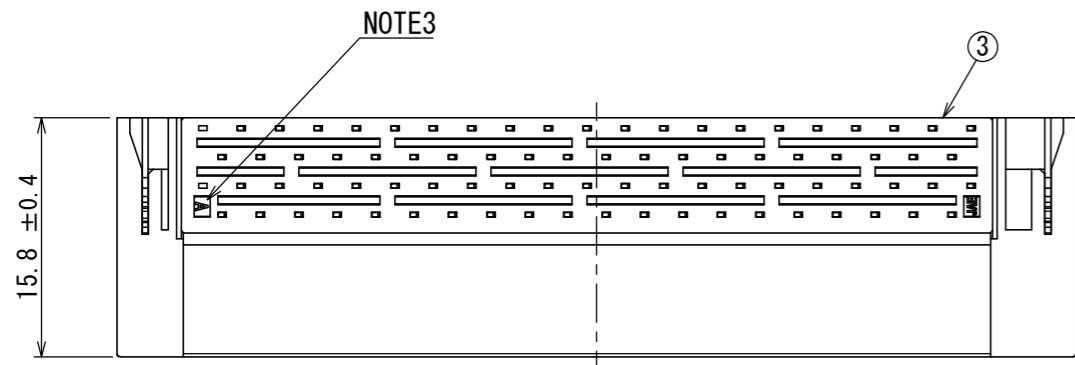
Email & Skype: info@chipsmall.com Web: www.chipsmall.com

Address: A1208, Overseas Decoration Building, #122 Zhenhua RD., Futian, Shenzhen, China



SJ116436
(ON. 図面番号)

版数 VER.	年月日 DATE	CN NO.	変更内容 DESCRIPTION	製図 DR.	担当 CHK.	査閲 APPD.	承認 APPD.
------------	-------------	--------	---------------------	-----------	------------	-------------	-------------



APPLICABLE P.C.B DIMENTION (REF.)
適合基板寸法 (参考)
(SCALE 2 : 1)

- NOTE1. THE SHAPE OF THE CONTACTS TERMINAL IS REFERENCE. BUT, IN THE CONNECTOR, IT IS SAME.
NOTE2. CONTACT FINISH
- CONTACT AREA: GOLD OVER NICKEL PLATED (GOLD: 0.1 μm MIN.)
- TERMINAL AREA: TIN OVER NICKEL PLATED
- HOOK PIN FINISH: TIN OVER NICKEL PLATED
NOTE3. THE CAVITY MARK (A, B, ...) SHALL BE PROVIDED AT THE LOCATION SHOWN.
NOTE4. PRODUCTION LOT NUMBER IS SHOWN AS INDICATED.

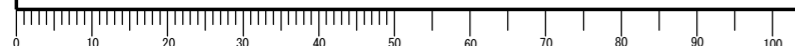
- 注1. コンタクト末端の形状は参考である。ただしコネクタ内では同一とする。
注2. コンタクト接触部はニッケル上金めつき (金 : 0.1 μm以上)
コンタクト結線部はニッケル上錫めつき
フックピンはニッケル上錫めつき
注3. 図示の位置にキャビマーク(A, B, ...)をつける。
注4. 図示の位置にロットNO. を表示する。

Lot NO. (Ex.)
ロットNO. (例)
I 5 9 30
Manufacture day.
製造日
Manufacture month. (JAN. TO SEP.: 1~9, OCT.: 0, NOV.: X, DEC.: Y)
製造月 (1月~9月: 1~9, 10月: 0, 11月: X, 12月: Y)
Manufacture year. (It is shown at A.D. 1digit)
製造年 (西暦年の下1桁で表示する。)
Identification code (T: JAE Taiwan. Ltd)
組立部門識別 (T: JAE Taiwan. Ltd)

4	HOOK PIN	2	COPPER ALLOY	NOTE2	-
3	LOCATOR	1	GLASS FILLED PBT	(COLOR : BLACK)	UL94 V-0
2	INSULATOR	1	GLASS FILLED PBT	(COLOR : BLACK)	UL94 V-0
1	CONTACT	80	COPPER ALLOY	NOTE2	-
符号 NO.	名称 DESCRIPTION	個数 QTY.	材料 MATERIAL	仕上 FINISH	備考 REMARKS

仕様書 (SPECIFICATION) JACS-11111		第1版 (ORIGINAL DATE) 30/SEP/2015		尺度 (SCALE) 2:1		シリーズ (SERIES) TX25A		日本航空電子工業株式会社	
一般公差 (GENERAL TOLERANCE)		製図 DR.		名称 (TITLE) TX25A-80P-LT-H1E		JAE		JAPAN AVIATION ELECTRONICS INDUSTRY, LTD.	
寸法 (DIMENSION)		担当 CHK.		査閲 APPD.		質量 (MASS)		図面番号 (DRAWING NO.) SJ116436	
角度 (ANGLES)		承認 APPD.		Y. SUDA		Y. KUROKI		版数 (VER.) 1	
単位 (UNIT) : mm		Y. SUDA		S. AOKI		Y. KUROKI			

DCF-C-212H(12.08)



WISDOM承認 2015/10/01