



Chipsmall Limited consists of a professional team with an average of over 10 year of expertise in the distribution of electronic components. Based in Hongkong, we have already established firm and mutual-benefit business relationships with customers from,Europe,America and south Asia,supplying obsolete and hard-to-find components to meet their specific needs.

With the principle of “Quality Parts,Customers Priority,Honest Operation,and Considerate Service”,our business mainly focus on the distribution of electronic components. Line cards we deal with include Microchip,ALPS,ROHM,Xilinx,Pulse,ON,Everlight and Freescale. Main products comprise IC,Modules,Potentiometer,IC Socket,Relay,Connector.Our parts cover such applications as commercial,industrial, and automotives areas.

We are looking forward to setting up business relationship with you and hope to provide you with the best service and solution. Let us make a better world for our industry!



Contact us

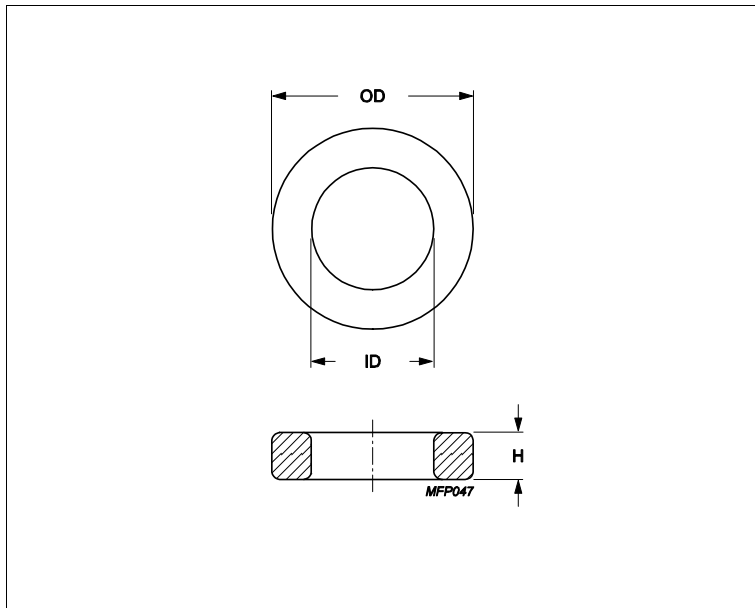
Tel: +86-755-8981 8866 Fax: +86-755-8427 6832

Email & Skype: info@chipsmall.com Web: www.chipsmall.com

Address: A1208, Overseas Decoration Building, #122 Zhenhua RD., Futian, Shenzhen, China



Core **Toroid 26/15/10**



Effective parameters			
	Parameter	Value	Unit
$\Sigma(I/A)$	core factor (C1)	1.08	mm ⁻¹
Ve	effective volume	3360	mm ³
Le	effective length	60.1	mm
Ae	effective area	55.9	mm ²
m	mass of core	≈ 17	g/pcs

Epoxy coating DC isolation voltage 2000.

Maximum operating temperature of the coating is 200°C.

Dimensions (mm)

Cores	OD	ID	H	
TX26/15/10	26.95 max	13.65 min	10.9 max	Epoxy Coated

Core data

Cores	Material	Al (nH/turns ²)	Al tolerance	μe
TX26/15/10	3C94	2530	± 25%	≈ 2300
TX26/15/10	3E10	11000	± 20%	≈ 10000
TX26/15/10	3E12	13200	± 30%	≈ 12000
TX26/15/10	3E26 (3E27-M7)	7710	± 25%	≈ 7000
TX26/15/10	3E27	6060	± 25%	≈ 5500
TX26/15/10	3E6 (3E10-M)	11000	± 30%	≈ 10000
TX26/15/10	3E65	5730	± 25%	≈ 5200