



Chipsmall Limited consists of a professional team with an average of over 10 year of expertise in the distribution of electronic components. Based in Hongkong, we have already established firm and mutual-benefit business relationships with customers from,Europe,America and south Asia,supplying obsolete and hard-to-find components to meet their specific needs.

With the principle of "Quality Parts,Customers Priority,Honest Operation,and Considerate Service",our business mainly focus on the distribution of electronic components. Line cards we deal with include Microchip,ALPS,ROHM,Xilinx,Pulse,ON,Everlight and Freescale. Main products comprise IC,Modules,Potentiometer,IC Socket,Relay,Connector.Our parts cover such applications as commercial,industrial, and automotives areas.

We are looking forward to setting up business relationship with you and hope to provide you with the best service and solution. Let us make a better world for our industry!



Contact us

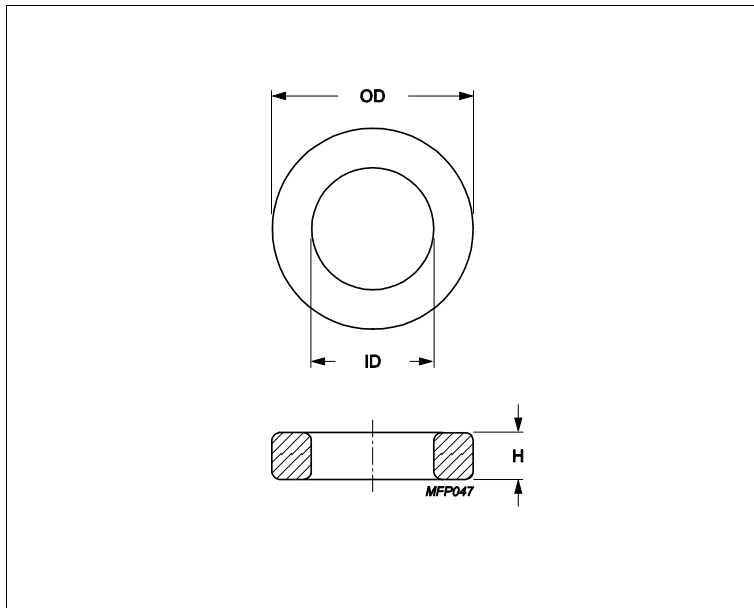
Tel: +86-755-8981 8866 Fax: +86-755-8427 6832

Email & Skype: info@chipsmall.com Web: www.chipsmall.com

Address: A1208, Overseas Decoration Building, #122 Zhenhua RD., Futian, Shenzhen, China



Core **Toroid 29/19/15**



Effective parameters			
	Parameter	Value	Unit
$\Sigma(I/A)$	core factor (C1)	0.98	mm ⁻¹
Ve	effective volume	5410	mm ³
Le	effective length	73.2	mm
Ae	effective area	73.9	mm ²
m	mass of core	≈ 28	g/pcs

Epoxy coating DC isolation voltage 2000.

Maximum operating temperature of the coating is 200°C.

Dimensions (mm)

Cores	OD	ID	H	
TX29/19/15	29.95 max	18.15 min	16.05 max	Epoxy Coated

Core data

Cores	Material	Al (nH/turns ²)	Al tolerance	μe
TX29/19/15	3C94	2920	± 25%	≈ 2300
TX29/19/15	3E10	12700	± 20%	≈ 10000
TX29/19/15	3E12	15200	± 30%	≈ 12000
TX29/19/15	3E26 (3E27-M7)	8880	± 25%	≈ 7000
TX29/19/15	3E27	6980	± 25%	≈ 5500
TX29/19/15	3E6 (3E10-M)	12700	± 30%	≈ 10000
TX29/19/15	3E65	6600	± 25%	≈ 5200