



Chipsmall Limited consists of a professional team with an average of over 10 year of expertise in the distribution of electronic components. Based in Hongkong, we have already established firm and mutual-benefit business relationships with customers from,Europe,America and south Asia,supplying obsolete and hard-to-find components to meet their specific needs.

With the principle of “Quality Parts,Customers Priority,Honest Operation,and Considerate Service”,our business mainly focus on the distribution of electronic components. Line cards we deal with include Microchip,ALPS,ROHM,Xilinx,Pulse,ON,Everlight and Freescale. Main products comprise IC,Modules,Potentiometer,IC Socket,Relay,Connector.Our parts cover such applications as commercial,industrial, and automotives areas.

We are looking forward to setting up business relationship with you and hope to provide you with the best service and solution. Let us make a better world for our industry!



Contact us

Tel: +86-755-8981 8866 Fax: +86-755-8427 6832

Email & Skype: info@chipsmall.com Web: www.chipsmall.com

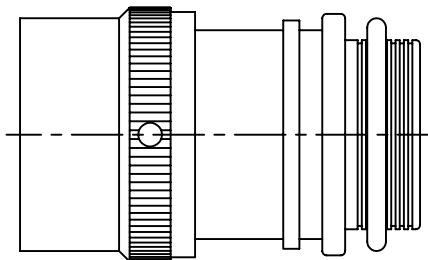
Address: A1208, Overseas Decoration Building, #122 Zhenhua RD., Futian, Shenzhen, China



TYCO ELECTRONICS RESERVES THE RIGHT TO AMEND THIS DRAWING AT ANY TIME. USERS SHOULD EVALUATE THE SUITABILITY OF THE PRODUCT FOR THEIR APPLICATION.

REVISIONS

| LTR | DESCRIPTION | DATE | APPROVED |
|-----|-------------------------|---------|----------|
| C | REVISED PER ECN AD93031 | 7/28/93 | WCG |
| D | PER ECO-08-024766 | 10/6/08 | M.PIOZET |



CODE 32
STRAIGHT ADAPTER

NOTES:

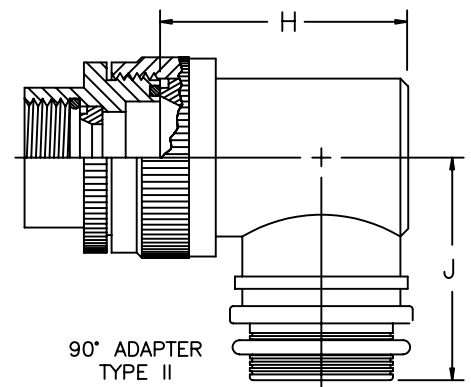
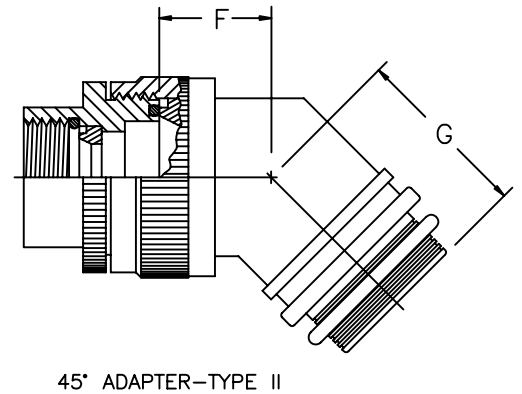
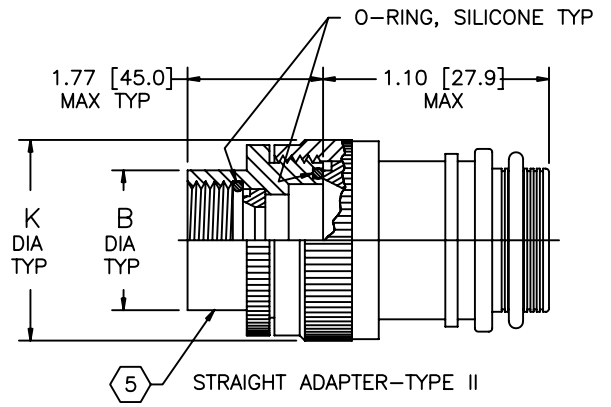
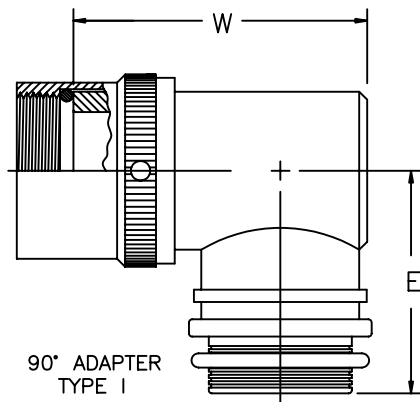
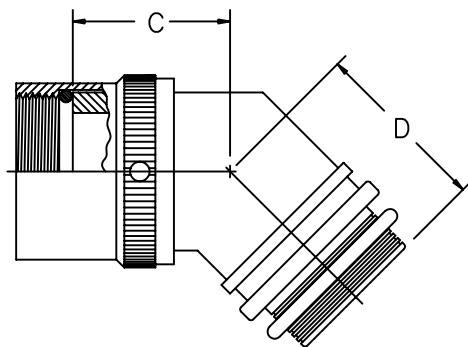
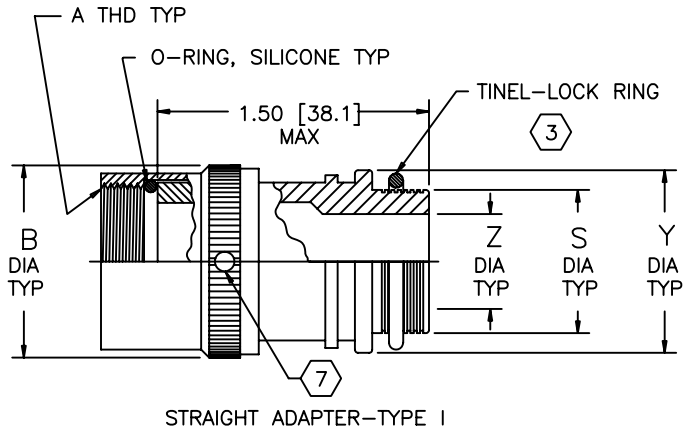
1. THIS PRODUCT IS DESIGNED TO TERMINATE A BRAIDED CABLE SHIELD AND A HEAT SHRINKABLE LIPPED BOOT TO A CONNECTOR.
2. SEE CH00-0250-008 FOR ORDERING INFORMATION, MODIFICATIONS AND ADDITIONAL DIMENSIONS.
3. SEE DRAWING "TR" FOR DETAIL ON TINEL-LOCK RING. RINGS ARE DESIGNED TO BE HEATED ELECTRICALLY. ALL RINGS ARE MARKED WITH THERMOCHROMIC PAINT WHICH CHANGES COLOR WHEN INSTALLATION TEMPERATURE IS REACHED.
4. ADAPTER TO BE PERMANENTLY MARKED WITH CODE IDENT. NO. AND PART NO. LESS RING DESIGNATOR (E.G.: 06090-TXR32AB00-1406). RINGS SHALL BEAR NO MARKING.
5. FOR LARGER ENTRY SIZES, A 2 PIECE ADAPTER (TYPE II) IS SUPPLIED.
6. ADAPTER MATES TO MIL-C-22992, CLASS C & R, MS17343, 44, 45 & 47 CONNECTORS.
7. ANTI-ROTATIONAL SET SCREW, 3 THREADED HOLES 120° ± 5° APART, SINGLE MATING SET SCREW SUPPLIED: AN565DC4H2. NOT REQUIRED FOR TYPE II ADAPTERS.

If this document is printed it becomes uncontrolled. Check for the latest revision

TINEL-LOCK™ is a Trademark of the Tyco Electronics Corporation
©2008 Tyco Electronics. All rights reserved.

CUSTOMER DRAWING

| | | | | | | |
|--|------------------------|-----------------|--|--|--|-----------------------|
| UNLESS OTHERWISE SPECIFIED DIMENSIONS ARE IN INCHES. METRIC DIMENSIONS ARE IN BRACKETS. DECIMALS .X ± --- [mm] .XX ± --- [mm] .XXX ± --- [mm] ANGLES .X ± --- | DRAWN J.BITTER | DATE 7/09/93 | | Raychem Adapters 300 Constitution Drive Menlo Park, CA 94025 U.S.A | | |
| | CHECKED - | DATE - | | TITLE TINEL-LOCK™ ADAPTER | | |
| | APPROVED - | DATE - | SIZE A CODE IDENT. NO. 06090 DWG. NO. TXR32 REV D | | | |
| | APPROVED - | DATE - | | | | DO NOT SCALE THIS DWG |
| CAD NAME TXR32a | THIRD ANGLE PROJECTION | | SHEET 1 OF 4 | | | |



If this document is printed it becomes uncontrolled. Check for the latest revision

TINEL-LOCK™ is a Trademark of the Tyco Electronics Corporation
©2008 Tyco Electronics. All rights reserved.

CUSTOMER DRAWING

| | | | |
|-----------------------|--------------------------|-------------------|--------------|
| SIZE A | CODE IDENT. NO. 06090 | DWG. NO. TXR32 | REV D |
| DO NOT SCALE THIS DWG | | CAD NAME: TXR32b | SHEET 2 OF 4 |

TABLE I

| ORDER NO. | SHELL SIZE 6 | MAX ENTRY SIZE TYPE I 5 | A LEFT HAND THD CLASS 2B | B DIA MAX | C MAX | D MAX | E MAX |
|-----------|-----------------|----------------------------|--------------------------------|-----------------|----------------|----------------|----------------|
| 12 | 12 | 08 | .750-20 UNEF | 1.07 [27.2] | 1.14 [29.0] | 1.00 [25.4] | 1.32 [33.5] |
| 14 | 14 | 10 | .875-20 UNEF | 1.19 [30.2] | 1.17 [29.7] | 1.02 [25.9] | 1.39 [35.3] |
| 16 | 16 | 12 | 1.000-20 UNEF | 1.32 [33.5] | 1.18 [30.0] | 1.03 [26.2] | 1.46 [37.1] |
| 18 | 18 | 14 | 1.125-18 UNEF | 1.44 [36.6] | 1.21 [30.7] | 1.06 [26.9] | 1.52 [38.6] |
| 20 | 20 | 16 | 1.250-18 UNEF | 1.57 [39.9] | 1.23 [31.2] | 1.09 [27.7] | 1.58 [40.1] |
| 22 | 22 | 18 | 1.375-18 UNEF | 1.69 [42.9] | 1.26 [32.0] | 1.11 [28.2] | 1.64 [41.7] |
| 24 | 24 | 22 | 1.625-18 UNEF | 2.07 [52.6] | 1.32 [33.5] | 1.18 [30.0] | 1.83 [46.5] |
| 28 | 28 | 24 | 1.875-16 UN | 2.32 [58.9] | 1.37 [34.8] | 1.23 [31.2] | 1.96 [49.8] |
| 32 | 32 | 24 | 2.062-16 UNS | 2.57 [65.3] | 1.43 [36.3] | 1.28 [32.5] | 2.08 [52.8] |
| 36 | 36 | 24 | 2.312-16 UNS | 2.82 [71.6] | 1.48 [37.6] | 1.33 [33.8] | 2.21 [56.1] |
| 40 | 40 | 24 | 2.625-16 UN | 3.07 [78.0] | 1.53 [38.9] | 1.39 [35.3] | 2.32 [58.9] |
| 44 | 44 | 28 | 2.875-16 UNS | 3.27 [83.0] | 1.60 [40.5] | 1.46 [37.0] | 2.44 [62.0] |

If this document is printed it becomes uncontrolled. Check for the latest revision

CUSTOMER DRAWING

TINEL-LOCK™ is a Trademark of the Tyco Electronics Corporation
©2008 Tyco Electronics. All rights reserved.

| | | | |
|-----------------------|--------------------------|-------------------|--------------|
| SIZE A | CODE IDENT. NO. 06090 | DWG. NO. TXR32 | REV D |
| DO NOT SCALE THIS DWG | | CAD NAME: TXR32c | SHEET 3 OF 4 |

TABLE II

| ENTRY SIZE | Z +.010 -.020 | S DIA | Y ±.015 [±0.38] | W MAX | F MAX | G MAX | J MAX | H MAX | K MAX |
|------------|---------------------|----------------------------------|-----------------------|----------------|----------------|----------------|----------------|----------------|----------------|
| 04 | .250 [6.35] | .376 [9.56] .370 [9.39] | .550 [13.97] | 1.56 [39.6] | N/A | N/A | N/A | N/A | N/A |
| 05 | .312 [7.92] | .438 [11.13] .432 [10.97] | .612 [15.54] | 1.69 [42.9] | N/A | N/A | N/A | N/A | N/A |
| 06 | .375 [9.52] | .501 [12.73] .495 [12.57] | .675 [17.14] | 1.69 [42.9] | N/A | N/A | N/A | N/A | N/A |
| 07 | .437 [11.09] | .563 [14.31] .556 [14.12] | .737 [18.71] | 1.81 [46.0] | N/A | N/A | N/A | N/A | N/A |
| 08 | .500 [12.70] | .626 [15.91] .619 [15.72] | .800 [20.32] | 1.81 [46.0] | N/A | N/A | N/A | N/A | N/A |
| 10 | .625 [15.87] | .752 [19.11] .742 [18.84] | .925 [23.49] | 1.94 [49.3] | .84 [21.3] | 1.00 [25.4] | 1.35 [34.3] | 1.51 [38.4] | 1.18 [30.0] |
| 12 | .750 [19.05] | .877 [22.28] .867 [22.02] | 1.050 [26.67] | 2.06 [52.3] | .86 [21.8] | 1.01 [25.7] | 1.40 [35.6] | 1.63 [41.4] | 1.35 [34.3] |
| 14 | .875 [22.23] | 1.002 [25.46] .991 [25.17] | 1.175 [29.84] | 2.19 [55.6] | .88 [22.4] | 1.04 [26.4] | 1.46 [37.1] | 1.78 [45.2] | 1.41 [35.8] |
| 16 | 1.000 [25.40] | 1.127 [28.63] 1.116 [28.34] | 1.300 [33.02] | 2.36 [59.0] | .91 [23.1] | 1.06 [26.9] | 1.53 [38.9] | 1.88 [47.8] | 1.60 [40.6] |
| 18 | 1.125 [28.57] | 1.252 [31.81] 1.241 [31.52] | 1.425 [36.19] | 2.74 [69.6] | .93 [23.6] | 1.09 [27.7] | 1.59 [40.4] | 2.01 [51.1] | 1.66 [42.2] |
| 20 | 1.250 [31.75] | 1.377 [34.98] 1.366 [34.69] | 1.550 [39.37] | 2.86 [72.6] | .98 [24.9] | 1.13 [28.7] | 1.78 [45.2] | 2.13 [54.1] | 2.04 [51.8] |
| 22 | 1.375 [34.93] | 1.502 [38.15] 1.488 [37.79] | 1.675 [42.55] | 2.99 [75.9] | 1.03 [26.2] | 1.38 [35.1] | 1.85 [47.0] | 2.29 [58.2] | 2.23 [56.6] |
| 24 | 1.500 [38.10] | 1.627 [41.33] 1.613 [40.97] | 1.800 [45.72] | 3.11 [79.0] | 1.08 [27.4] | 1.44 [36.6] | 1.92 [48.8] | 2.42 [61.5] | 2.23 [56.6] |
| 28 | 1.75 [44.45] | 1.875 [47.63] 1.865 [47.37] | 2.050 [52.07] | 3.36 [85.5] | N/A | N/A | N/A | N/A | N/A |

If this document is printed it becomes uncontrolled. Check for the latest revision

CUSTOMER DRAWING

TINEL-LOCK™ is a Trademark of the Tyco Electronics Corporation
©2008 Tyco Electronics. All rights reserved.

| | | | |
|-----------------------|--------------------------|-------------------|--------------|
| SIZE A | CODE IDENT. NO. 06090 | DWG. NO. TXR32 | REV D |
| DO NOT SCALE THIS DWG | | CAD NAME: TXR32d | SHEET 4 OF 4 |