



Chipsmall Limited consists of a professional team with an average of over 10 year of expertise in the distribution of electronic components. Based in Hongkong, we have already established firm and mutual-benefit business relationships with customers from,Europe,America and south Asia,supplying obsolete and hard-to-find components to meet their specific needs.

With the principle of “Quality Parts,Customers Priority,Honest Operation,and Considerate Service”,our business mainly focus on the distribution of electronic components. Line cards we deal with include Microchip,ALPS,ROHM,Xilinx,Pulse,ON,Everlight and Freescale. Main products comprise IC,Modules,Potentiometer,IC Socket,Relay,Connector.Our parts cover such applications as commercial,industrial, and automotives areas.

We are looking forward to setting up business relationship with you and hope to provide you with the best service and solution. Let us make a better world for our industry!



Contact us

Tel: +86-755-8981 8866 Fax: +86-755-8427 6832

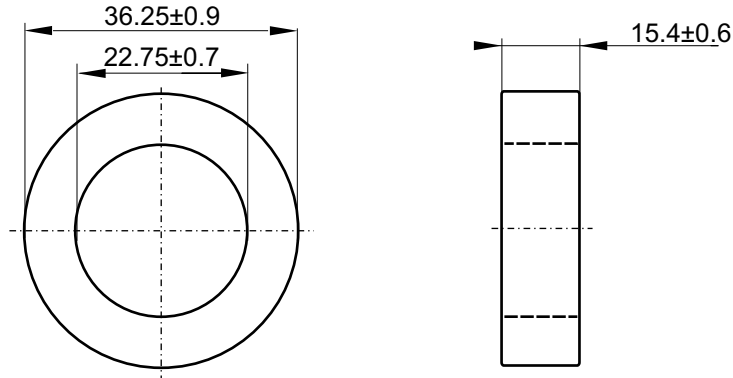
Email & Skype: info@chipsmall.com Web: www.chipsmall.com

Address: A1208, Overseas Decoration Building, #122 Zhenhua RD., Futian, Shenzhen, China



Nazwa / Name
 Numer kodu / Code number

TX36/23/15-4C65
 4327 030 57191



Magnetical dimensions according to: / Właściwości magnetyczne zgodne z: IEC 205

$\Sigma l/A$ (mm ⁻¹)	$\Sigma l/A^2$ (mm ⁻³)	A_e : 95.9 mm ²	l_e : 89.65 mm	V_e : 8596 mm ³
0.94	0.01			Weight: /Waga: ≈ 40.8 g

Specified value / Wartości specyfikowane

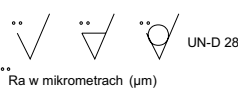
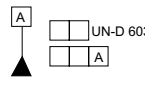
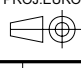
Symbol	Nominal	Tolerance	Unit	Frequency	Induction	Equipment	Temperature
Symbol	Nominal	Tolerancja	Jednostka	Częstotliwość f [kHz]	Indukcyjność [mT]	(Sprzęt pomiarowy) (1)	Temperatura t [°C]
Al	168	±25%	nH	10	≤0.1	HP-4284A	25±3
tg δ/μ	130X10 ⁻⁶	≤	---	10 ⁴		HP-4284A	

(1) Or similar / Lub podobny

VISUAL REQUIREMENTS according to: I-15-002

KONTROLA WIZUALNA według: I-15-002

High voltage insulation >2kV / Napięcie przebicia izolacji >2kV

		Tolerances unless otherwise stated Tolerancja (jeśli nie ustalono inaczej) Dimensions Wymiary ±3% Angle Kąt				Name Nazwisko Jarosław Przybysz		Signature Podpis Szczepan Frydrych		Date Data 07-10-25	
General Roughness Chropowatość Unit Jednostka mm. Scale None Skala Brak PROJ.EURO 		MATERIAL 4C65 acc. to KPN-K9600 MATERIAL 4C65 zgodnie z: KPN-K9600		Check Sprawdził Approval Zatwierdził Other Inne		TYPE NUMBER / TYP TX36/23/15-4C65		LAB REF No. ---		UNCONTROLLED COPY generated electronically, conform with original up to the date of its creation KOPIA NIEKONTROLOWANA wygenerowana elektronicznie, zgodna z oryginałem w dniu jego zatwierdzenia	
Status/Status		Toroid coated: Epoxy Cream RAL 1014 Toroid pokryty: Epoxy kremowy RAL 1014		SHEETS STRONY 1 SHEET STRONA 110-02		4327 030 57190		D C B A		07-10-25	
Issued by: Wydano przez: J.Krawczyk / K.S.		SUPERSEDES ZASTĘPUJE		DATE DATA 07-10-25		Property of WŁAŚCICIEL Ferroxcube Polska Sp. z o.o. SKIERNIEWICE, POLAND		A-4			