



Chipsmall Limited consists of a professional team with an average of over 10 year of expertise in the distribution of electronic components. Based in Hongkong, we have already established firm and mutual-benefit business relationships with customers from,Europe,America and south Asia,supplying obsolete and hard-to-find components to meet their specific needs.

With the principle of "Quality Parts,Customers Priority,Honest Operation,and Considerate Service",our business mainly focus on the distribution of electronic components. Line cards we deal with include Microchip,ALPS,ROHM,Xilinx,Pulse,ON,Everlight and Freescale. Main products comprise IC,Modules,Potentiometer,IC Socket,Relay,Connector.Our parts cover such applications as commercial,industrial, and automotives areas.

We are looking forward to setting up business relationship with you and hope to provide you with the best service and solution. Let us make a better world for our industry!



## Contact us

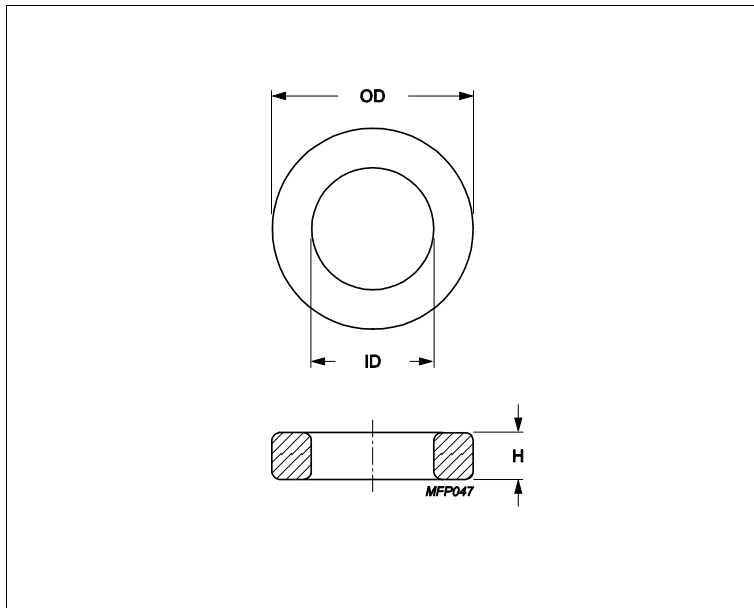
Tel: +86-755-8981 8866 Fax: +86-755-8427 6832

Email & Skype: info@chipsmall.com Web: www.chipsmall.com

Address: A1208, Overseas Decoration Building, #122 Zhenhua RD., Futian, Shenzhen, China



## Core **Toroid 42/26/13**



Effective parameters			
	Parameter	Value	Unit
$\Sigma(I/A)$	core factor (C1)	1.076	mm <sup>-1</sup>
<b>Ve</b>	effective volume	9860	mm <sup>3</sup>
<b>Le</b>	effective length	103	mm
<b>Ae</b>	effective area	95.8	mm <sup>2</sup>
<b>m</b>	mass of core	≈ 53	g/pcs

Epoxy coating DC isolation voltage 2000.

Maximum operating temperature of the coating is 200°C.

### Dimensions (mm)

Cores	OD	ID	H	
<b>TX42/26/13</b>	43.15 max	25.15 min	13.5 max	Epoxy Coated

### Core data

Cores	Material	Al (nH/turns <sup>2</sup> )	Al tolerance	$\mu\epsilon$
<b>TX42/26/13</b>	3C94	2800	± 25%	≈ 2300
<b>TX42/26/13</b>	3E10	12200	± 20%	≈ 10000
<b>TX42/26/13</b>	3E12	14600	± 30%	≈ 12000
<b>TX42/26/13</b>	3E27	6710	± 25%	≈ 5500
<b>TX42/26/13</b>	3E6 (3E10-M)	12200	± 30%	≈ 10000
<b>TX42/26/13</b>	3E65	6340	± 25%	≈ 5200