



Chipsmall Limited consists of a professional team with an average of over 10 year of expertise in the distribution of electronic components. Based in Hongkong, we have already established firm and mutual-benefit business relationships with customers from,Europe,America and south Asia,supplying obsolete and hard-to-find components to meet their specific needs.

With the principle of “Quality Parts,Customers Priority,Honest Operation,and Considerate Service”,our business mainly focus on the distribution of electronic components. Line cards we deal with include Microchip,ALPS,ROHM,Xilinx,Pulse,ON,Everlight and Freescale. Main products comprise IC,Modules,Potentiometer,IC Socket,Relay,Connector.Our parts cover such applications as commercial,industrial, and automotives areas.

We are looking forward to setting up business relationship with you and hope to provide you with the best service and solution. Let us make a better world for our industry!



Contact us

Tel: +86-755-8981 8866 Fax: +86-755-8427 6832

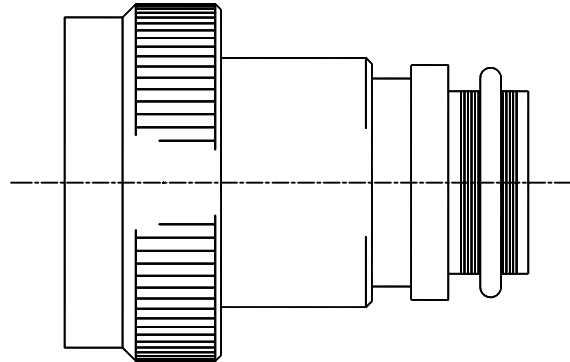
Email & Skype: info@chipsmall.com Web: www.chipsmall.com

Address: A1208, Overseas Decoration Building, #122 Zhenhua RD., Futian, Shenzhen, China



THIS DRAWING AND THE INFORMATION SET FORTH HERE-ON ARE THE PROPERTY OF TYCO ELECTRONICS AND ARE TO BE HELD IN TRUST AND CONFIDENCE. PUBLICATION, DUPLICATION, DISCLOSURE, OR USE FOR ANY PURPOSE NOT EXPRESSLY AUTHORIZED IN WRITING BY TYCO ELECTRONICS IS PROHIBITED.

REVISIONS			
LTR	DESCRIPTION	DATE	APPROVED
B	INITIAL RELEASE PER ECO-13-002859	02/18/13	IMYONG



CODE 66 TINEL-LOCK ADAPTER

NOTES:


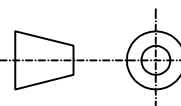
1. THIS PRODUCT IS DESIGNED TO TERMINATE A BRAIDED CABLE SHIELD AND A HEAT SHRINKABLE LIPPED BOOT TO A CONNECTOR.
2. SEE CH00-0250-008 FOR ORDERING INFORMATION, MODIFICATIONS AND ADDITIONAL DIMENSIONS.
- ③ SEE DRAWING TR FOR DETAIL ON TINEL-LOCK RING. RINGS ARE DESIGNED TO BE HEATED ELECTRICALLY. ALL RINGS ARE MARKED WITH THERMOCHROMIC PAINT WHICH CHANGES COLOR WHEN INSTALLATION TEMPERATURE IS REACHED.
4. ADAPTER TO BE PERMANENTLY MARKED WITH CODE IDENTIFICATION NUMBER AND PART NUMBER, LESS RING DESIGNATOR. (e.g. 06090 TXR66AB00-2012). RING SHALL BEAR NO MARKING.
- ⑤ FOR LARGER ENTRY SIZES, A 2 PIECE ADAPTER (TYPE II) IS SUPPLIED.
- ⑥ ADAPTER MATES TO: LITTON-VEAM VG95234 CONNECTORS, CIR SERIES, 06*, 07* AND 08*, LESS ALL BACKSHELLS.

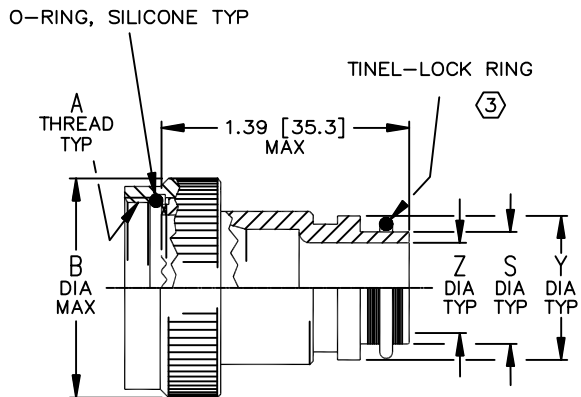
If this document is printed it becomes uncontrolled. Check for the latest revision

Raychem Adapters

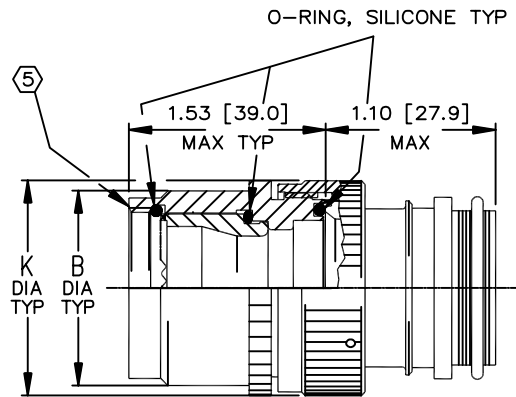
© 2012-2013 Tyco electronics corporation. All rights reserved

CUSTOMER DRAWING

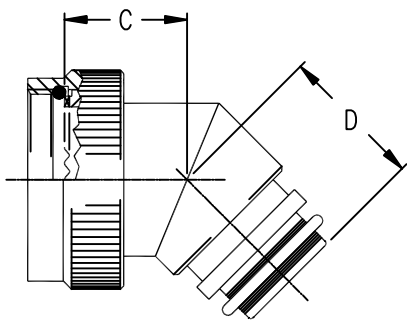
UNLESS OTHERWISE SPECIFIED DIMENSIONS ARE IN INCHES AND TOLERANCES ARE: .XXX ± - .XX ± - .X ± - ANGLES .X ± -	DRAWN G.WELLS	DATE FEB2013	 TE Connectivity					
	CHECKED -	DATE -				TITLE TINEL-LOCK™ ADAPTER		
	APPROVED -	DATE -						
MATERIAL -	THIRD ANGLE PROJECTION 		SIZE A	CAGE CODE: 06090	DWG. NO. TXR66	REV B		
FINISH -	CAD NAME TXR66_CD-1.dwg	RPN: -	SCALE: NONE	SHEET 1 OF 3				



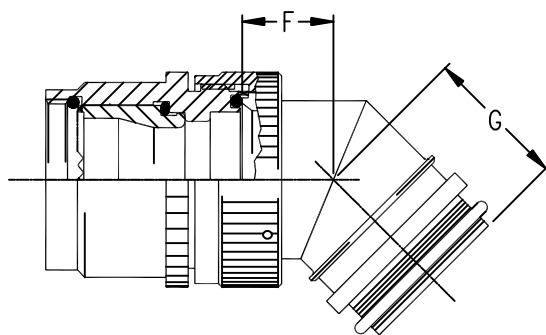
STRAIGHT ADAPTER - TYPE I



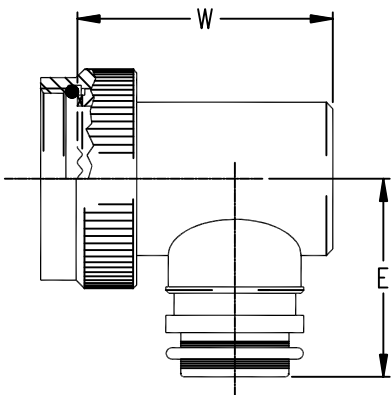
STRAIGHT ADAPTER - TYPE II



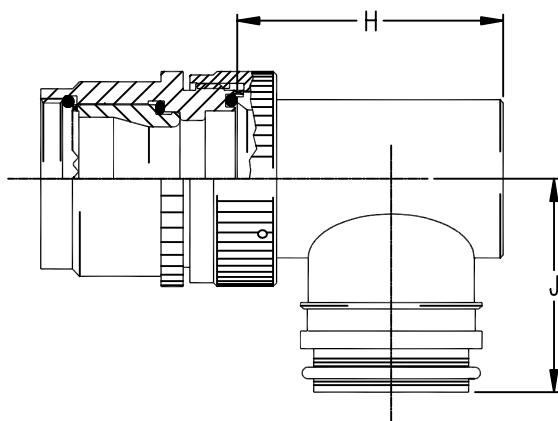
45° ADAPTER - TYPE I



45° ADAPTER - TYPE II



90° ADAPTER - TYPE I



90° ADAPTER - TYPE II

Raychem Adapters
CUSTOMER DRAWING

If this document is printed it becomes uncontrolled. Check for the latest revision

SIZE A	CAGE CODE: 06090	DWG. NO. TXR66	REV B
SCALE: NONE		SHEET 2 OF 3	

TABLE I								
ORDER NUMBER	SHELL SIZE ⑤ ⑥	MAX ENTRY SIZE ⑤ ⑥ TYPE I	A UNIFIED THREAD CLASS 2B	B DIA MAX	C MAX	D MAX	E MAX	W MAX
11	10SL	05	0.625-24 UNEF	.91 [23.1]	.82 [20.8]	1.16 [29.5]	1.20 [30.5]	1.21 [30.7]
14	14S	07	0.750-20 UNEF	1.04 [26.4]	.86 [21.8]	1.18 [30.0]	1.27 [32.3]	1.27 [32.3]
16	16/16S	08	0.875-20 UNEF	1.22 [31.0]	.93 [23.6]	1.20 [30.5]	1.33 [33.8]	1.33 [33.8]
18	18	10	1.000-20 UNEF	1.35 [34.3]	.99 [25.1]	1.22 [31.0]	1.39 [35.3]	1.58 [40.1]
20	20	12	1.125-18 UNEF	1.47 [37.4]	1.04 [26.4]	1.25 [31.8]	1.45 [36.8]	1.58 [40.1]
22	22	14	1.250-18 UNEF	1.60 [40.6]	1.06 [26.9]	1.27 [32.3]	1.52 [38.6]	1.65 [41.9]
24	24	16	1.375-18 UNEF	1.72 [43.7]	1.09 [27.7]	1.29 [32.8]	1.58 [40.1]	1.89 [48.0]
28	28	18	1.625-18 UNEF	1.97 [50.0]	1.11 [28.2]	1.32 [33.5]	1.70 [43.2]	2.02 [51.3]
32	32	22	1.875-16 UN	2.22 [56.4]	1.17 [29.7]	1.37 [34.8]	1.83 [46.5]	2.27 [57.7]
36	36	24	2.062-16 UN	2.47 [62.7]	1.22 [31.0]	1.42 [36.1]	1.92 [48.8]	2.58 [65.5]
40	40	28	2.312-16 UN	2.72 [69.1]	1.28 [32.5]	1.48 [37.6]	2.05 [52.1]	2.83 [71.9]

TABLE II								
ENTRY SIZE	Z DIA +0.010 -0.020 [+0.25] [-0.50]	S DIAMETER	Y DIA ±0.015 [±0.38]	F MAX	G MAX	H MAX	J MAX	K MAX
04	.250 [6.35]	.376 [9.56] .370 [9.39]	.550 [13.97]	N/A	N/A	N/A	N/A	N/A
05	.312 [7.92]	.438 [11.13] .432 [10.97]	.612 [15.54]	N/A	N/A	N/A	N/A	N/A
06	.375 [9.52]	.501 [12.73] .495 [12.57]	.675 [17.14]	.77 [19.6]	.93 [23.6]	1.19 [30.2]	1.16 [29.5]	.80 [20.3]
07	.437 [11.09]	.563 [14.31] .556 [14.12]	.737 [18.71]	.80 [20.3]	.95 [24.1]	1.38 [35.1]	1.22 [31.0]	.92 [23.4]
08	.500 [12.70]	.626 [15.91] .619 [15.72]	.800 [20.32]	.80 [20.3]	.95 [24.1]	1.38 [35.1]	1.22 [31.0]	.92 [23.4]
10	.625 [15.87]	.752 [19.11] .742 [18.84]	.925 [23.49]	.84 [21.3]	1.00 [25.4]	1.51 [38.4]	1.35 [34.3]	1.18 [30.0]
12	.750 [19.05]	.877 [22.28] .867 [22.02]	1.050 [26.67]	.86 [21.8]	1.01 [25.7]	1.63 [41.4]	1.40 [35.6]	1.35 [34.3]
14	.875 [22.23]	1.002 [25.46] .991 [25.17]	1.175 [29.84]	.88 [22.4]	1.04 [26.4]	1.78 [45.2]	1.46 [37.1]	1.41 [35.8]
16	1.000 [25.40]	1.127 [28.63] 1.116 [28.34]	1.300 [33.02]	.91 [23.1]	1.06 [26.9]	1.88 [47.8]	1.53 [38.9]	1.60 [40.6]
18	1.125 [28.57]	1.252 [31.81] 1.241 [31.52]	1.425 [36.19]	.93 [23.6]	1.09 [27.7]	2.01 [51.1]	1.59 [40.4]	1.66 [42.2]
20	1.250 [31.75]	1.377 [34.98] 1.366 [34.69]	1.550 [39.37]	.98 [24.9]	1.13 [28.7]	2.13 [54.1]	1.78 [45.2]	2.04 [51.8]
22	1.375 [34.93]	1.502 [38.15] 1.488 [37.79]	1.675 [42.55]	1.03 [26.2]	1.38 [35.1]	2.29 [58.2]	1.85 [47.0]	2.23 [56.6]
24	1.500 [38.10]	1.627 [41.33] 1.613 [40.97]	1.800 [45.72]	1.08 [27.4]	1.44 [36.6]	2.42 [61.5]	1.92 [48.8]	2.23 [56.6]
28	1.820 [46.22]	1.877 [47.67] 1.863 [47.32]	2.048 [52.0]	1.08 [27.4]	1.44 [36.6]	2.58 [65.5]	2.03 [51.6]	2.48 [63.0]

Raychem Adapters

CUSTOMER DRAWING

SIZE A	CAGE CODE: 06090	DWG. NO. TXR66	REV B
SCALE: NONE		SHEET 3 OF 3	