



Chipsmall Limited consists of a professional team with an average of over 10 year of expertise in the distribution of electronic components. Based in Hongkong, we have already established firm and mutual-benefit business relationships with customers from,Europe,America and south Asia,supplying obsolete and hard-to-find components to meet their specific needs.

With the principle of “Quality Parts,Customers Priority,Honest Operation,and Considerate Service”,our business mainly focus on the distribution of electronic components. Line cards we deal with include Microchip,ALPS,ROHM,Xilinx,Pulse,ON,Everlight and Freescale. Main products comprise IC,Modules,Potentiometer,IC Socket,Relay,Connector.Our parts cover such applications as commercial,industrial, and automotives areas.

We are looking forward to setting up business relationship with you and hope to provide you with the best service and solution. Let us make a better world for our industry!



Contact us

Tel: +86-755-8981 8866 Fax: +86-755-8427 6832

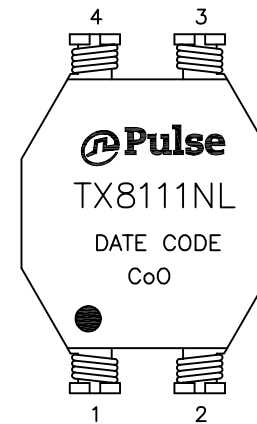
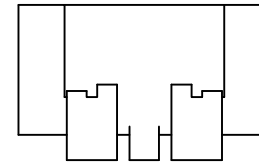
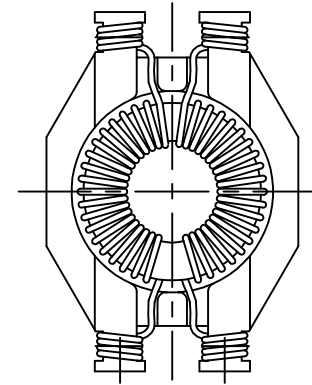
Email & Skype: info@chipsmall.com Web: www.chipsmall.com

Address: A1208, Overseas Decoration Building, #122 Zhenhua RD., Futian, Shenzhen, China



NOTES:

1. ROHS COMPLIANT
2. PLASTIC: THERMOPLASTIC MATERIAL WITH FLAMMABILITY RATING UL 94V-0 OR BETTER.
3. STORAGE TEMPERATURE: -50°C TO +125°C
4. COMPLIANCE TO J-STD:
 - A. J-STD-002: SOLDERABILITY AT 245°C REFLOW PROFILE
 - B. J-STD-020: LEVEL 1, NO MOISTURE SENSITIVE
 - C. J-STD-075: R7, 245°C MAXIMUM THROUGH REFLOW SOLDER
5. TO ORDER TAPE & REEL PACKAGING ADD A "T" SUFFIX TO THE PART NUMBER(i.e TX8111NL BECOMES TX8111NLT).

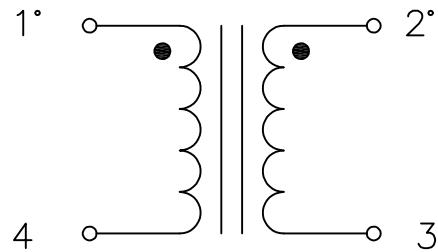


FINAL OUTLINE

© Copyright, 2015. Pulse Electronics Corp. All rights reserved. Pulse confidential & proprietary. (12/23/15)

PRODUCT DESCRIPTION	TLA DRAWING	PS DRAWING	SHEET	PART NO.	DATASHEET REV.
CMI 2 x 51 uH - SHASTA	TX8111NL-11	-	1 OF 3	TX8111NL	A

ELECTRICAL CHARACTERISTICS MEASURED AT 25°C :
(FOR REFERENCE ONLY. USED FOR CUSTOMER INFORMATION.)

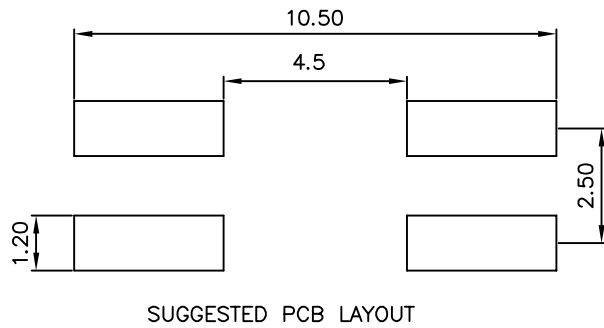


SCHEMATIC

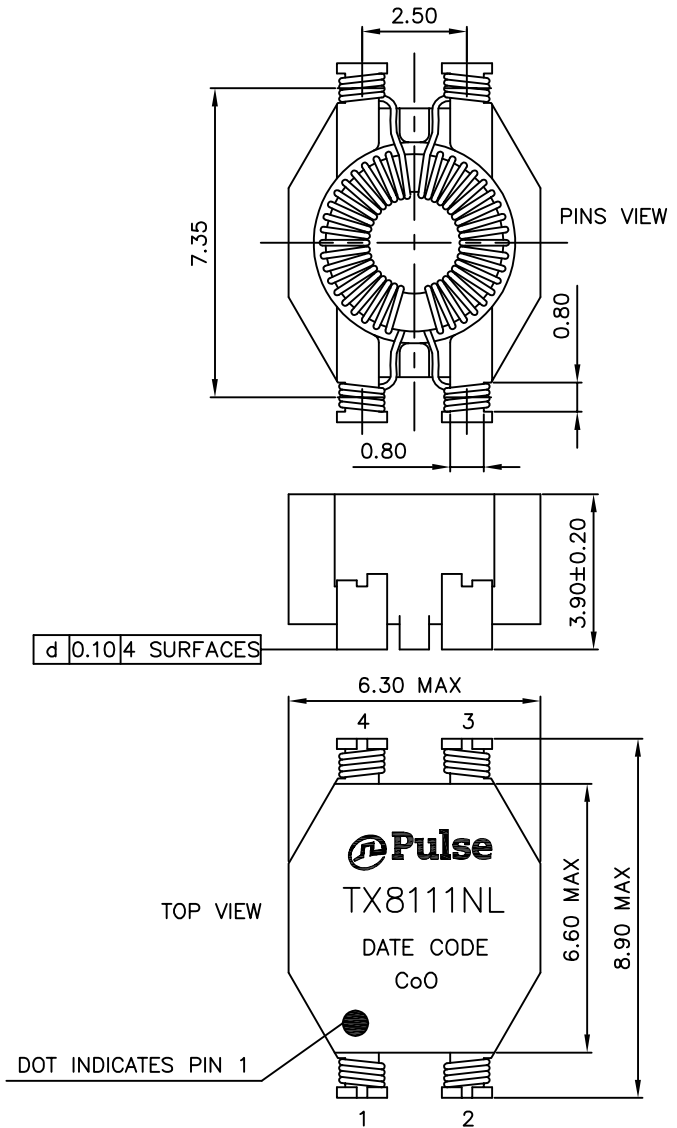
PARAMETER	SPECIFICATION
OPERATING TEMPERATURE	-40°C TO +85°C
URNS RATIO @100KHz, 0.1VRMS	$\frac{(1-4)}{(2-3)} = 1.0 \pm 5\%$
OPEN CIRCUIT INDUCTANCE (OCL) @100KHz, 0.005VRMS	(1-4) = 51uH $\begin{matrix} +50\% \\ -30\% \end{matrix}$
LEAKAGE INDUCTANCE (LL): @100 KHz, 0.01 VRMS	(1-4) WITH (2-3) SHORTED = 2 uH NOMINAL = 3 uH MAXIMUM
DCR	(1-4) = (2-3) = 0.2 OHM MAXIMUM.
HIPOT	500 VAC FOR 6 SECONDS

© Copyright, 2015. Pulse Electronics Corp. All rights reserved. Pulse confidential & proprietary. (12/23/15)

PRODUCT DESCRIPTION	TLA DRAWING	PS DRAWING	SHEET	PART NO.	DATASHEET REV.
CMI 2 x 51 uH - SHASTA	TX8111NL-11	-	2 OF 3	TX8111NL	A



DIMENSIONS ARE IN MILLIMETERS WITH THE FOLLOWING TOLERANCES:
 X.X= ±0.5
 X.XX= ±0.25



© Copyright, 2015. Pulse Electronics Corp. All rights reserved. Pulse confidential & proprietary. (12/23/15)

PRODUCT DESCRIPTION	TLA DRAWING	PS DRAWING	SHEET	PART NO.	DATASHEET REV.
CMI 2 x 51 uH – SHASTA	TX8111NL-11	–	3 OF 3	TX8111NL	A