



Chipsmall Limited consists of a professional team with an average of over 10 year of expertise in the distribution of electronic components. Based in Hongkong, we have already established firm and mutual-benefit business relationships with customers from,Europe,America and south Asia,supplying obsolete and hard-to-find components to meet their specific needs.

With the principle of “Quality Parts,Customers Priority,Honest Operation,and Considerate Service”,our business mainly focus on the distribution of electronic components. Line cards we deal with include Microchip,ALPS,ROHM,Xilinx,Pulse,ON,Everlight and Freescale. Main products comprise IC,Modules,Potentiometer,IC Socket,Relay,Connector.Our parts cover such applications as commercial,industrial, and automotives areas.

We are looking forward to setting up business relationship with you and hope to provide you with the best service and solution. Let us make a better world for our industry!



Contact us

Tel: +86-755-8981 8866 Fax: +86-755-8427 6832

Email & Skype: info@chipsmall.com Web: www.chipsmall.com

Address: A1208, Overseas Decoration Building, #122 Zhenhua RD., Futian, Shenzhen, China



Powercaster® Transmitter

The TX91501 Powercaster Transmitter is the RF-based wireless power source for Powercast's WSN-10XX Lifetime Power Wireless Sensors and other devices. The TX91501 sends radio waves that are converted into power remotely with Powerharvester® Receivers.

The TX91501 is housed in a durable plastic case with several mounting options. Operational power is provided to either of the two DC power connectors at 5V DC.

The TX91501 includes a status LED to provide feedback on functional state and has a factory set, fixed power output. No user configuration is required.

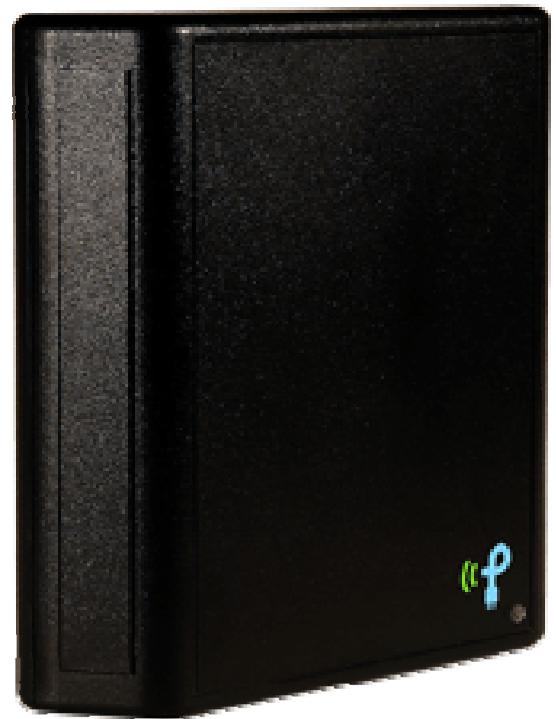
KEY FEATURES

- RF-based wireless power source
- Integrated antenna
- Flexible mounting configurations
- LED status indicator
- 5VDC power

BENEFITS

- Powers multiple devices
- Enables location-aware applications
- No configuration, simple deployment
- Maintenance-free operation
- No interference with or from Wi-Fi

- ***Plug-n-play wireless power***
- ***One-to-many powering***
- ***No configuration***

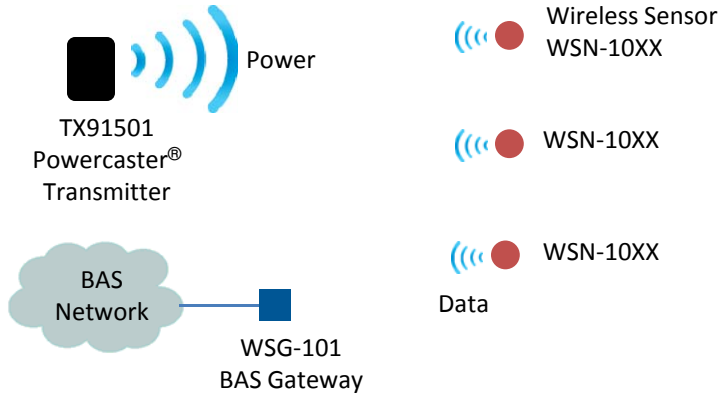




POWERCAST®

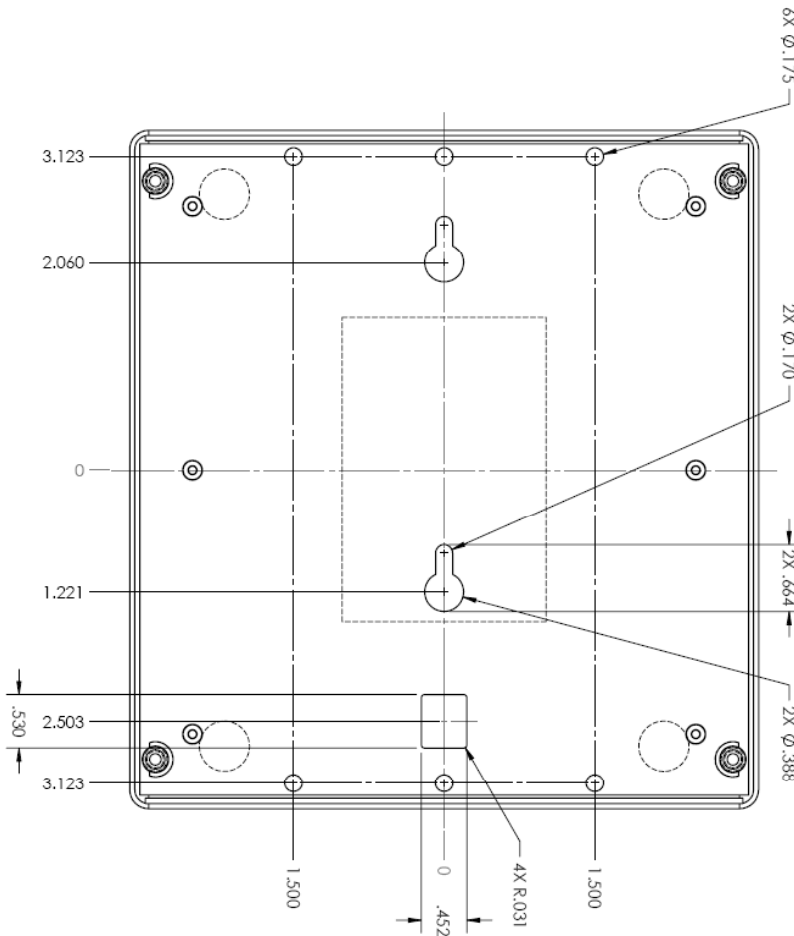
TX91501 - Product Datasheet

Building Automation System Gateway



SPECIFICATIONS

Frequency	915MHz center frequency
Modulation	Power: DSSS Data: ASK
Power Output	TX91501-3W-XX: 3 watts EIRP TX91501-1W-XX: 1 watt EIRP
Approvals	FCC Part 15.247 Industry Canada
Antenna	8dBi internal, 60° pattern
Power Input	5VDC (2 jacks available), AC/DC adapter included
Enclosure	ABS plastic, black
Mounting	6 bracket mounting holes, 2 keyholes
Dimensions	6.75" x 6.25" x 1.63" (171.45 x 158.75 x 41.4 mm)
Environment	-20°C to 50°C, indoor use only
Weight	1 lb.



ORDERING INFORMATION

Power Level	Part Number
3W	TX91501-3W-ID
1W	TX91501-1W-ID