



Chipsmall Limited consists of a professional team with an average of over 10 year of expertise in the distribution of electronic components. Based in Hongkong, we have already established firm and mutual-benefit business relationships with customers from,Europe,America and south Asia,supplying obsolete and hard-to-find components to meet their specific needs.

With the principle of “Quality Parts,Customers Priority,Honest Operation,and Considerate Service”,our business mainly focus on the distribution of electronic components. Line cards we deal with include Microchip,ALPS,ROHM,Xilinx,Pulse,ON,Everlight and Freescale. Main products comprise IC,Modules,Potentiometer,IC Socket,Relay,Connector.Our parts cover such applications as commercial,industrial, and automotives areas.

We are looking forward to setting up business relationship with you and hope to provide you with the best service and solution. Let us make a better world for our industry!



Contact us

Tel: +86-755-8981 8866 Fax: +86-755-8427 6832

Email & Skype: info@chipsmall.com Web: www.chipsmall.com

Address: A1208, Overseas Decoration Building, #122 Zhenhua RD., Futian, Shenzhen, China



3750 to 7500W Front End Power Supplies

Features

- ◆ 2U High
- ◆ Up to 22,500W in 19" Rack
- ◆ Hot Swappable
- ◆ High Efficiency



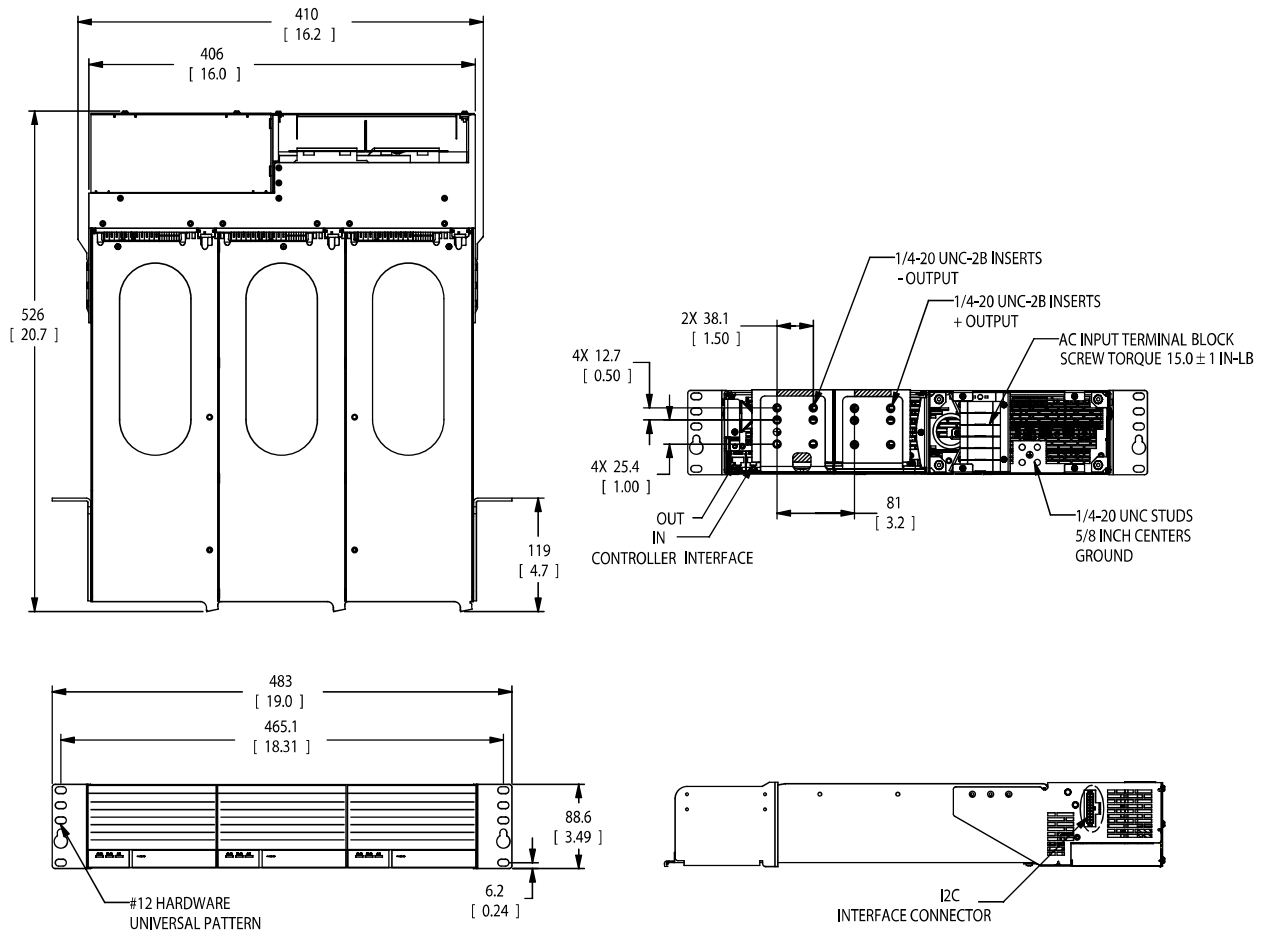
Key Market Segments & Applications



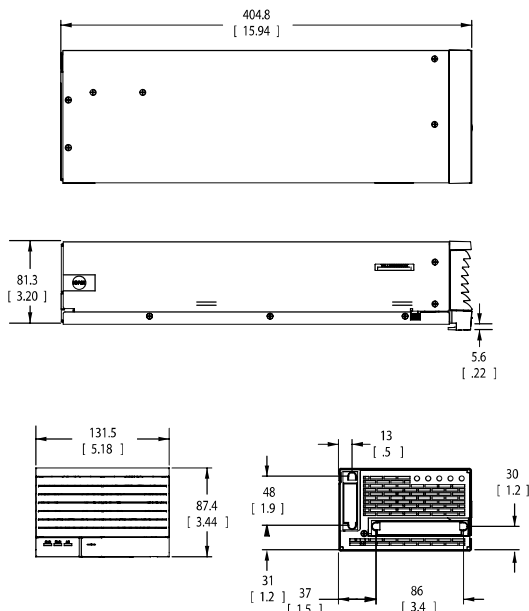
Specifications			TX375024	TX500048	TX7500W48
Model			24V Nominal	48V Nominal	48V Nominal
Output Voltage Range	(1)	VDC	21-28	42-56	42-56
Total Regulation		%		±1%	
Output Current	(5)	A(max)	150	100	150
Current limit	(1)	A	155	110	155
Short Circuit Current		rms A	50	35	50
Output Noise		mV	250mV peak to peak (10kHz to 20MHz)		
Output Rise Time		ms	100-400 ms		
Dynamic Response		%	3% in 10ms for a 10-100% load change		
Overvoltage Protection	(1)	VDC	27-30	54-60	
Load Sharing		%	±5% of full load		
Remote On/Off		V	Shuts down outputs by applying 3.3 to 5V		
Auxiliary Output	(4)	-	12V@200mA		
AC Input		VAC	180-264 (Individual Inputs)		180-305
Input Frequency		Hz	47-63		
Power Factor		-	0.99 typ. @ 230VAC, full load, meets EN61000-3-2		
Inrush Current	(2)	A	30 amps peak		
Efficiency (at 230VAC)		%	90	92	92
Immunity		-	EN61000-4-2,-3,-4,-5,-6,-8,-11		
EMC (conducted and radiated)		-	EN55022, Level B, FCC Class B		
Operating Temperature		°C	-40 to 65 (full power)		-40 to 65 (3)
Storage Temperature		°C	-40 to 85		
Humidity		%	5 to 95 (non-condensing)		
Altitude		ft	-200 to 8000		
Shock		G	IEC68-2-27, Mil-STD-810E, 20G		
Vibration		Hz	IEC68-2-64 (random) 20-2000Hz, 30 minutes		
Safety Agency		-	UL60950-1, EN60950-1, CE Mark		
Size (L x W x H)		in.	15.94 x 5.18 x 3.20 (Power Module), 21.00(D) x 16.12(W) x 3.49(H) (Rack)		
Weight		lbs	Power Module 15lbs, Rack 12lbs		
Warranty		yrs	Two Years		

1. Adjustable via i²C
2. Excludes Xcaps in the EMC input filter
3. TX7500W48 derate 2%/°C above 50°C to 65°C
4. Operates independent of main DC output and is referenced to (-)Vout
5. Minimum load of 2A required per power supply

TX Rack Outline Drawing



TX Module Outline Drawing



Models

Model	Output Voltage	Output Current	Maximum Power
TX375024	24V	150A	3600W
TX500048	48V	100A	4800W
TX7500W48	48V	150A	7200W
TXR3	19" Rack holds upto 3 TX Modules (Individual AC Feed)		
TXR3025	19" Rack with 3 Phase Delta Input		
TXR3026	19" Rack with 3 Phase WYE Input		
TXRBP	Blanking panel for one module slot		

Mating Connector

Mating Housing	Molex Micro-Fit 43025-2000
Mating Terminal	Molex Micro-Fit 43030-0002

Other Hotswap Products

HFE	1U 1600-2500W Front End
FPS1000	1U 1000W Low Cost Front End

For Additional Information, please visit
us.tdk-lambda.com/lp/products/tx-series.htm

