



Chipsmall Limited consists of a professional team with an average of over 10 year of expertise in the distribution of electronic components. Based in Hongkong, we have already established firm and mutual-benefit business relationships with customers from,Europe,America and south Asia,supplying obsolete and hard-to-find components to meet their specific needs.

With the principle of “Quality Parts,Customers Priority,Honest Operation,and Considerate Service”,our business mainly focus on the distribution of electronic components. Line cards we deal with include Microchip,ALPS,ROHM,Xilinx,Pulse,ON,Everlight and Freescale. Main products comprise IC,Modules,Potentiometer,IC Socket,Relay,Connector.Our parts cover such applications as commercial,industrial, and automotives areas.

We are looking forward to setting up business relationship with you and hope to provide you with the best service and solution. Let us make a better world for our industry!



Contact us

Tel: +86-755-8981 8866 Fax: +86-755-8427 6832

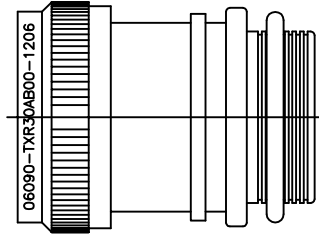
Email & Skype: info@chipsmall.com Web: www.chipsmall.com

Address: A1208, Overseas Decoration Building, #122 Zhenhua RD., Futian, Shenzhen, China



THIS DRAWING AND THE INFORMATION SET FORTH HEREON ARE THE PROPERTY OF TYCO ELECTRONICS AND ARE TO BE HELD IN TRUST AND CONFIDENCE. PUBLICATION, DUPLICATION, DISCLOSURE, OR USE FOR ANY PURPOSE NOT EXPRESSLY AUTHORIZED IN WRITING BY TYCO ELECTRONICS IS PROHIBITED.

REVISIONS			
LTR	DESCRIPTION	DATE	APPROVED
E	REVISED PER ECO-13-002868	02/18/13	G.WELLS



CODE 30 TINEL-LOCK ADAPTER


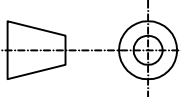
NOTES:

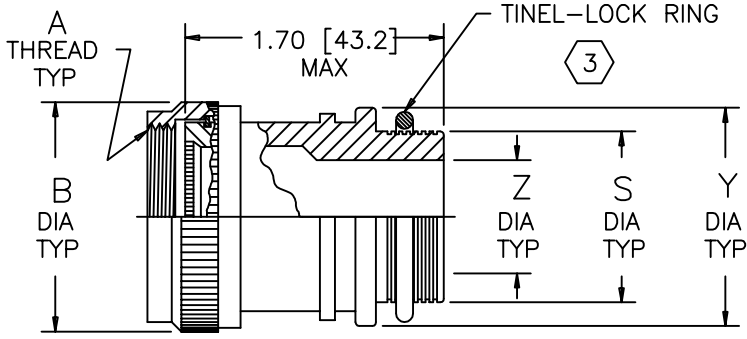
1. THIS PRODUCT IS DESIGNED TO TERMINATE A BRAIDED CABLE SHIELD AND A HEAT SHRINKABLE LIPPED BOOT TO A CONNECTOR.
2. SEE CH00-0250-008 FOR ORDERING INFORMATION, MODIFICATIONS AND ADDITIONAL DIMENSIONS.
- ③ SEE DRAWING "TR" FOR DETAILS ON TINEL-LOCK RING. RINGS ARE DESIGNED TO BE HEATED ELECTRICALLY. ALL RINGS ARE MARKED WITH THERMOCHROMIC PAINT WHICH CHANGES COLOR WHEN INSTALLATION TEMPERATURE IS REACHED.
4. ADAPTER TO BE PERMANENTLY MARKED WITH CODE IDENT. NO. AND PART NO. LESS RING DESIGNATOR (E.G.: 06090-TXR30AB00-1206). RINGS SHALL BEAR NO MARKING.
- ⑤ FOR LARGER ENTRY SIZES, A 2 PIECE ADAPTER (TYPE II) IS SUPPLIED.
- ⑥ ADAPTER MATES TO MIL-C-28840, M28840/10, /11, /14 & /16 CONNECTORS.
- ⑦ THESE DIMENSIONS APPLY IF A SELF-LOCKING COUPLING NUT IS USED. (MOD. CODE "S").

If this document is printed it becomes uncontrolled. Check for the latest revision

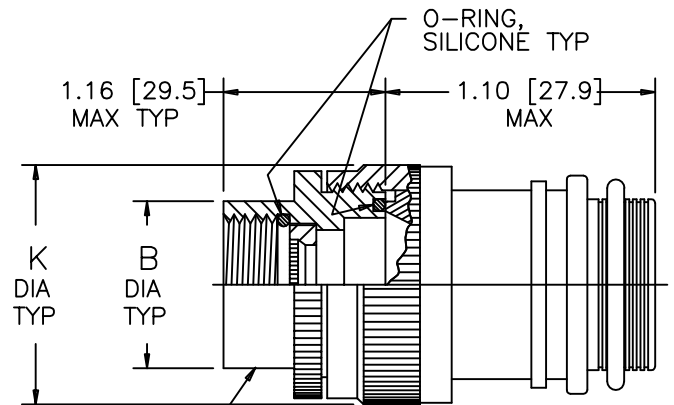
Raychem Adapters
CUSTOMER DRAWING

© 2012-2013 Tyco electronics corporation. All rights reserved

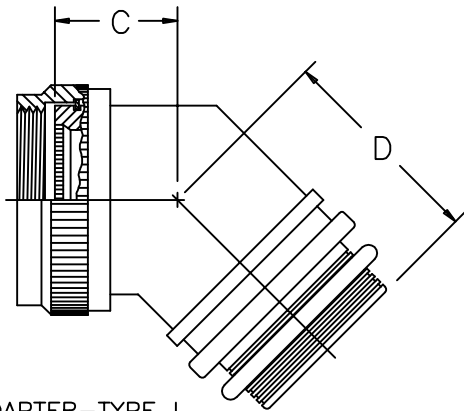
UNLESS OTHERWISE SPECIFIED DIMENSIONS ARE IN INCHES AND TOLERANCES ARE: .XXX ± - .XX ± - .X ± - ANGLES .X ± -	DRAWN J.BITTER	DATE 06-02-93	 TE Connectivity			
	CHECKED —	DATE —				
	APPROVED —	DATE —				
MATERIAL —	THIRD ANGLE PROJECTION 		TITLE TINEL-LOCK™ ADAPTER			
FINISH —	CAD NAME TXR30 CD 1.dwg	RPN: —	SIZE A	CAGE CODE: 06090	DWG. NO. TXR30	REV E
			SCALE: NONE	SHEET 1 OF 3		



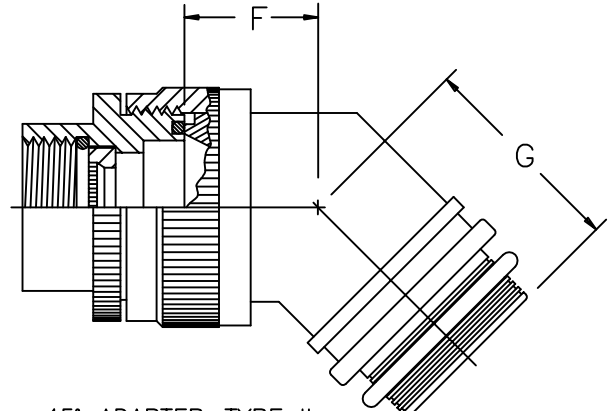
STRAIGHT ADAPTER-TYPE I



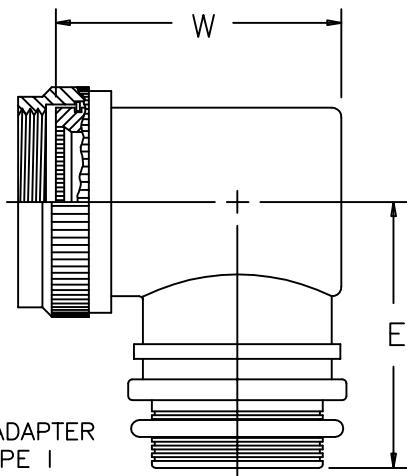
5 STRAIGHT ADAPTER-TYPE II



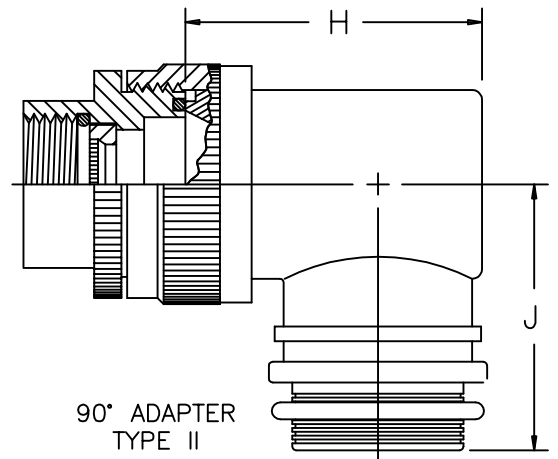
45° ADAPTER-TYPE I



45° ADAPTER-TYPE II



90° ADAPTER TYPE I



90° ADAPTER TYPE II

If this document is printed it becomes uncontrolled. Check for the latest revision

Raychem Adapters
CUSTOMER DRAWING

SIZE A	CAGE CODE: 06090	DWG. NO. TXR30	REV E
SCALE: NONE		SHEET 2 OF 3	

TABLE I




ORDER NO.	SHELL SIZE 		MAX ENTRY SIZE TYPE I 	A UNIFIED THD CLASS 2B	B DIA MAX	B  DIA MAX	C MAX	D MAX	E MAX	W MAX
	COM'L	MIL								
10	11	A	05	.750-20 UNEF	1.03 [26.2]	1.22 [30.99]	.92 [23.4]	.85 [21.6]	1.23 [31.2]	1.28 [32.5]
12	13	B	08	.875-20 UNEF	1.15 [29.2]	1.34 [34.04]	.92 [23.4]	.99 [25.1]	1.34 [34.0]	1.41 [35.8]
14	15	C	10	1.000-20 UNEF	1.27 [32.3]	1.46 [37.08]	.94 [23.9]	1.03 [26.12]	1.40 [35.6]	1.59 [40.4]
16	17	D	12	1.125-18 UNEF	1.39 [35.3]	1.58 [40.13]	.96 [24.4]	1.07 [27.2]	1.46 [37.1]	1.66 [42.2]
18	19	E	14	1.250-18 UNEF	1.52 [38.6]	1.71 [43.43]	.99 [25.1]	1.12 [28.4]	1.53 [38.9]	1.78 [45.2]
22	23	F	16	1.438-18 UNEF	1.71 [43.4]	1.90 [48.26]	1.03 [26.2]	1.15 [29.2]	1.59 [40.4]	2.03 [51.6]
24	25	G	18	1.562-18 UNEF	1.83 [46.5]	2.02 [51.30]	1.05 [26.7]	1.19 [30.2]	1.65 [41.9]	2.16 [54.9]
28	29	H	22	1.875-16 UN	2.15 [54.6]	2.34 [59.44]	1.08 [27.4]	1.24 [31.5]	1.79 [45.5]	2.41 [61.2]
32	33	J	24	2.062-16 UN	2.33 [59.2]	2.52 [63.95]	1.15 [29.2]	1.29 [32.8]	1.90 [48.3]	2.66 [67.6]

TABLE II

ENTRY SIZE	Z +.010 -.020 [+0.25] [-0.51]	S DIA		Y ±.015 [±0.38]	F MAX	G MAX	H MAX	J MAX	K MAX
04	.250 [6.35]	.376 .370	[9.56] [9.39]	.550 [13.97]	N/A	N/A	N/A	N/A	N/A
05	.312 [7.92]	.438 .432	[11.13] [10.97]	.612 [15.54]	N/A	N/A	N/A	N/A	N/A
06	.375 [9.52]	.501 .495	[12.73] [12.57]	.675 [17.14]	.77 [19.6]	.93 [23.6]	1.19 [30.2]	1.16 [29.5]	.80 [20.3]
07	.437 [11.09]	.563 .556	[14.31] [14.12]	.737 [18.71]	.80 [20.3]	.95 [24.1]	1.38 [35.1]	1.22 [31.0]	.92 [23.4]
08	.500 [12.70]	.626 .619	[15.91] [15.72]	.800 [20.32]	.80 [20.3]	.95 [24.1]	1.38 [35.1]	1.22 [31.0]	.92 [23.4]
10	.625 [15.87]	.752 .742	[19.11] [18.84]	.925 [23.49]	.84 [21.3]	1.00 [25.4]	1.51 [38.4]	1.35 [34.3]	1.18 [30.0]
12	.750 [19.05]	.877 .867	[22.28] [22.02]	1.050 [26.67]	.86 [21.8]	1.01 [25.7]	1.63 [41.4]	1.40 [35.6]	1.35 [34.3]
14	.875 [22.23]	1.002 .991	[25.46] [25.17]	1.175 [29.84]	.88 [22.4]	1.04 [26.4]	1.78 [45.2]	1.46 [37.1]	1.41 [35.8]
16	1.000 [25.40]	1.127 1.116	[28.63] [28.34]	1.300 [33.02]	.91 [23.1]	1.06 [26.9]	1.88 [47.8]	1.53 [38.9]	1.60 [40.6]
18	1.125 [28.57]	1.252 1.241	[31.81] [31.52]	1.425 [36.19]	.93 [23.6]	1.09 [27.7]	2.01 [51.1]	1.59 [40.4]	1.66 [42.2]
20	1.250 [31.75]	1.377 1.366	[34.98] [34.69]	1.550 [39.37]	.98 [24.9]	1.13 [28.7]	2.13 [54.1]	1.78 [45.2]	2.04 [51.8]
22	1.375 [34.93]	1.502 1.488	[38.15] [37.79]	1.675 [42.55]	1.03 [26.2]	1.38 [35.1]	2.29 [58.2]	1.85 [47.0]	2.23 [56.6]
24	1.500 [38.10]	1.627 1.613	[41.33] [40.97]	1.800 [45.72]	1.08 [27.4]	1.44 [36.6]	2.42 [61.5]	1.92 [48.8]	2.23 [56.6]

Raychem Adapters
CUSTOMER DRAWING

If this document is printed it becomes uncontrolled. Check for the latest revision

SIZE A	CAGE CODE: 06090	DWG. NO. TXR30	REV E
SCALE: NONE		SHEET 3 OF 3	