



Chipsmall Limited consists of a professional team with an average of over 10 year of expertise in the distribution of electronic components. Based in Hongkong, we have already established firm and mutual-benefit business relationships with customers from,Europe,America and south Asia,supplying obsolete and hard-to-find components to meet their specific needs.

With the principle of “Quality Parts,Customers Priority,Honest Operation,and Considerate Service”,our business mainly focus on the distribution of electronic components. Line cards we deal with include Microchip,ALPS,ROHM,Xilinx,Pulse,ON,Everlight and Freescale. Main products comprise IC,Modules,Potentiometer,IC Socket,Relay,Connector.Our parts cover such applications as commercial,industrial, and automotives areas.

We are looking forward to setting up business relationship with you and hope to provide you with the best service and solution. Let us make a better world for our industry!



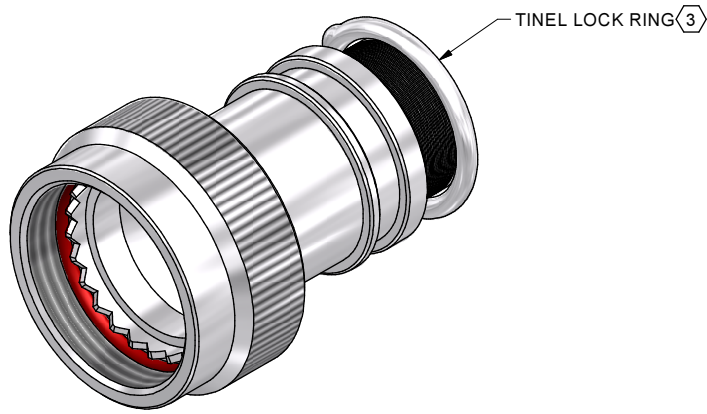
## Contact us

Tel: +86-755-8981 8866 Fax: +86-755-8427 6832

Email & Skype: info@chipsmall.com Web: www.chipsmall.com

Address: A1208, Overseas Decoration Building, #122 Zhenhua RD., Futian, Shenzhen, China





## CODE 64 - TINEL-LOCK BACKSHELL

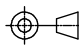


TXR64AB00-1608AI-

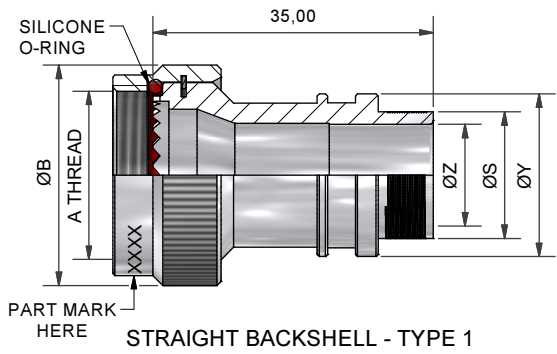
SERIES \_\_\_\_\_  
 TXR: RING INCLUDED  
 (SEE RING OPTION)  
 TX: RING NOT INCLUDED  
 CONNECTOR INTERFACE \_\_\_\_\_  
 MATERIAL \_\_\_\_\_  
 REFER TO CH00-0250-008  
 FINISH \_\_\_\_\_  
 REFER TO CH00-0250-008  
 ANGLE \_\_\_\_\_  
 DASH NUMBER (TABLE 1) \_\_\_\_\_  
 ENTRY SIZE (TABLE 2) \_\_\_\_\_  
 RING OPTION \_\_\_\_\_  
 AI - TO SUIT SINGLE BRAID  
 BI - TO SUIT DOUBLE BRAID  
 FOR TX, LEAVE BLANK  
 MODIFICATION CODE \_\_\_\_\_  
 REFER TO CH00-0250-008 2

### NOTES:

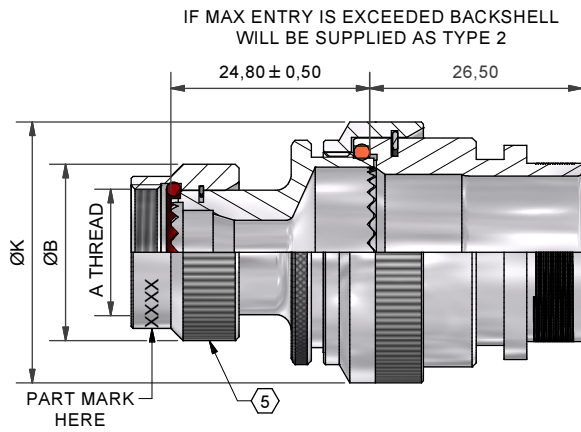
1. THIS PRODUCT IS DESIGNED TO TERMINATE A BRAIDED CABLE SHIELD AND A HEAT SHRINKABLE LIPPED BOOT TO A CONNECTOR.
- 2 FOR ADDITIONAL DIMENSIONS, ORDERING INFORMATION AND MODIFICATIONS, SEE CH00-0250-008.
- 3 SEE DRAWING TR FOR DETAIL ON TINEL-LOCK RING, RINGS ARE DESIGNED TO BE HEATED ELECTRICALLY, ALL RINGS ARE MARKED WITH THERMOCHROMIC PAINT WHICH CHANGES COLOUR WHEN INSTALLATION TEMPERATURE IS REACHED.
4. BACKSHELL TO BE PERMANENTLY MARKED/BAGGED AND LABELLED WITH CODE IDENTIFICATION NUMBER AND PART NUMBER LESS RING DESIGNATOR. (e.g. 06090-TXR64AB00-1406). RING SHALL BEAR NO MARKING.
- 5 IF MAX ENTRY IS EXCEEDED, A 2 PIECE BACKSHELL ASSEMBLY (TYPE 2) IS SUPPLIED.
6. BACKSHELL MATES TO VEAM "CIR" SERIES CONNECTORS, LESS ENDBELL.

If this document is printed it becomes uncontrolled. Check for the latest revision

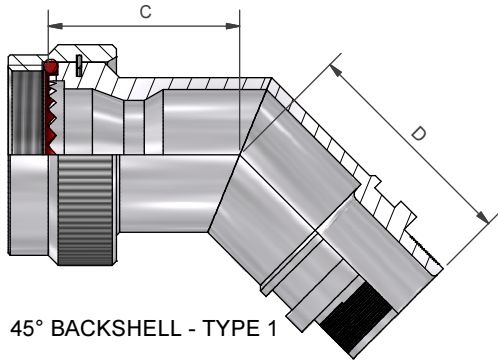
DRAWN	K.WINCZURA	DATE 16/12/2014	 3RD ANGLE PROJECTION NOT TO SCALE	<b>TITLE:</b>  <div style="text-align: center; font-size: 1.2em;">TINEL-LOCK BACKSHELL</div>	 <b>Polamco</b> 																
CHECKED		16/12/2014	UNLESS OTHERWISE SPECIFIED ALL DIMENSIONS IN MILLIMETRES GENERAL TOL LINEAR +/-0.25MM ANGULAR +/- 1°	<b>ASSY USED ON:</b>  <div style="text-align: center; font-size: 1.2em;">VEAM "CIR" SERIES, LESS ENDBELL</div>																	
APPROVED	K.SHEPPARD	19/12/2014		<table border="1" style="width: 100%; border-collapse: collapse;"> <thead> <tr> <th colspan="4">REVISIONS</th> </tr> <tr> <th style="width: 5%;">LTR</th> <th style="width: 20%;">DESCRIPTION</th> <th style="width: 15%;">DATE</th> <th style="width: 20%;">APPROVED</th> </tr> </thead> <tbody> <tr> <td>F</td> <td>REVISED PER ECO-15-002352</td> <td>18/02/2015</td> <td>H.SMITH</td> </tr> <tr> <td>G</td> <td>REVISED PER ECO-15-010492</td> <td>17/07/2015</td> <td>H.SMITH</td> </tr> </tbody> </table>		REVISIONS				LTR	DESCRIPTION	DATE	APPROVED	F	REVISED PER ECO-15-002352	18/02/2015	H.SMITH	G	REVISED PER ECO-15-010492	17/07/2015	H.SMITH
REVISIONS																					
LTR	DESCRIPTION	DATE	APPROVED																		
F	REVISED PER ECO-15-002352	18/02/2015	H.SMITH																		
G	REVISED PER ECO-15-010492	17/07/2015	H.SMITH																		
APPROVED	H.SMITH	17/07/2015	<small>TE CONNECTIVITY - POLAMCO LTD RESERVES THE RIGHT TO AMEND THIS DRAWING AND THE INFORMATION SET FORTH HEREON AT ANY TIME. USERS SHOULD INDEPENDENTLY EVALUATE THE SUITABILITY OF THE PRODUCT FOR THEIR APPLICATION.</small>																		
TE CAGE CODE: 06090 POLAMCO/TE CAGE CODE: U5792				<b>DRAWING NO:</b> <div style="font-size: 1.2em;">TXR64</div>	<b>DRAWING REV:</b> <div style="font-size: 1.2em;">G</div>																
				<b>SHT</b> <div style="font-size: 1.2em;">1</div>																	



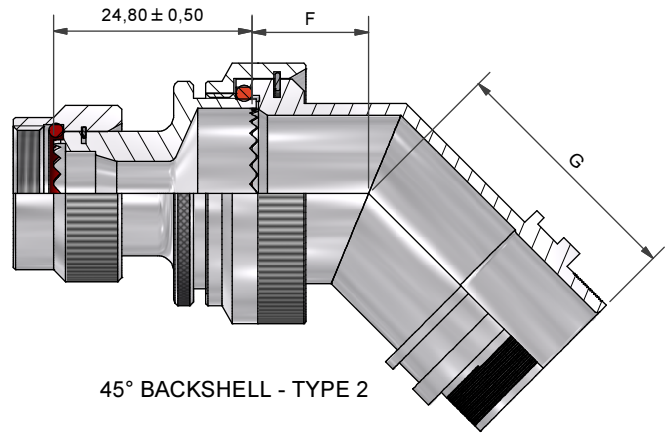
STRAIGHT BACKSHELL - TYPE 1



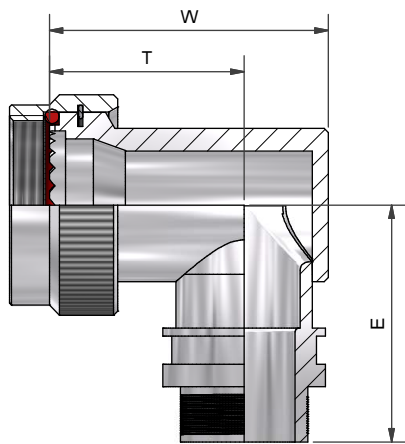
STRAIGHT BACKSHELL - TYPE 2



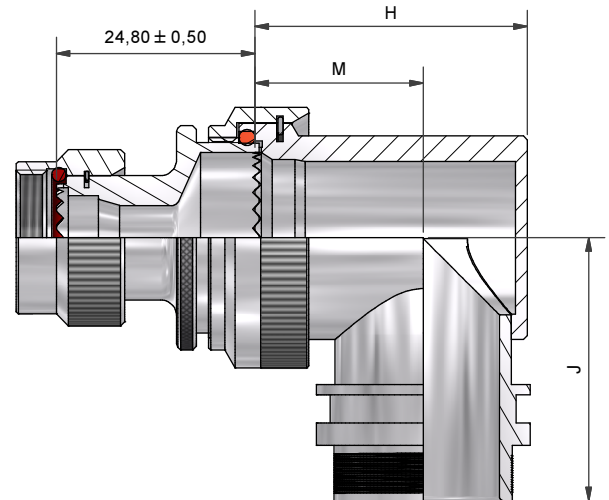
45° BACKSHELL - TYPE 1



45° BACKSHELL - TYPE 2

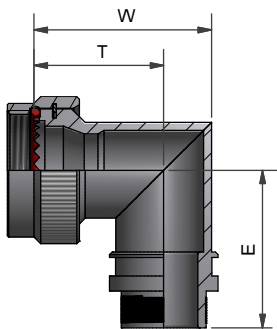


90° BACKSHELL - TYPE 1

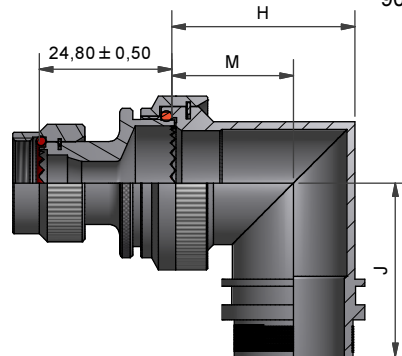


90° BACKSHELL - TYPE 2

If this document is printed it becomes uncontrolled. Check for the latest revision



90° BACKSHELL - TYPE 1  
STAINLESS STEEL AND  
NICKEL ALUMINIUM BRONZE



90° BACKSHELL - TYPE 2  
STAINLESS STEEL AND  
NICKEL ALUMINIUM BRONZE

DRAWN	K.WINCZURA	DATE	16/12/2014
CHECKED		DATE	16/12/2014
APPROVED	K.SHEPPARD	DATE	19/12/2014
APPROVED	H.SMITH	DATE	17/07/2015

3RD ANGLE PROJECTION  
NOT TO SCALE

UNLESS OTHERWISE SPECIFIED  
ALL DIMENSIONS IN MILLIMETRES  
GENERAL TOL  
LINEAR +/-0.25MM  
ANGULAR +/- 1°

REVISIONS			
LTR	DESCRIPTION	DATE	APPROVED
F	REVISED PER ECO-15-002352	18/02/2015	H.SMITH
G	REVISED PER ECO-15-010492	17/07/2015	H.SMITH

TITLE:  
**TINEL-LOCK BACKSHELL**

ASSY USED ON:  
**VEAM "CIR" SERIES, LESS ENDBELL**



TE CAGE CODE: 06090  
POLAMCO/TE CAGE CODE: U5792

TE CONNECTIVITY - POLAMCO LTD RESERVES THE RIGHT TO AMEND THIS DRAWING AND THE INFORMATION SET FORTH HEREON AT ANY TIME. USERS SHOULD INDEPENDENTLY EVALUATE THE SUITABILITY OF THE PRODUCT FOR THEIR APPLICATION.

DRAWING NO:  
**TXR64**

DRAWING REV:  
**G**

SHT  
**2**

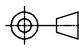


TABLE 1

ORDER NO.	SHELL SIZE	A THREAD	ØB MAX	MAX ENTRY	C ±0,5	D ±0,5	W ±0,5	T ±0,5	E ±0,5	THESE DIMENSIONS APPLY IF BACKSHELL IS STAINLESS STEEL OR NICKEL ALUMINIUM BRONZE		
										W MAX	T ±0,5	E ±0,5
11	10SL	5/8 - 24UNEF	23,1	05	20,3	27,5	29,7	22,0	26,50	30,2	22,0	28,2
14	14S	3/4 - 20UNEF	26,4	06	21,3	28,0	32,8	23,8	27,95	33,3	23,8	28,2
16	16, 16S	7/8 - 20UNEF	31,0	08	23,1	29,0	34,8	24,3	29,45	35,3	24,3	29,7
18	18	1 - 20UNEF	34,3	10	24,6	29,7	39,1	27,1	31,00	39,6	27,1	31,2
20	20	1 1/8 - 18UNEF	37,4	12	25,9	30,5	41,4	27,4	32,70	41,9	27,4	32,9
22	22	1 1/4 - 18UNEF	40,6	12	26,4	30,9	45,0	29,5	34,25	45,5	29,5	34,5
24	24	1 3/8 - 18UNEF	43,7	14	27,2	31,1	48,3	31,3	35,80	48,8	31,3	36,1
28	28	1 5/8 - 18UNEF	50,0	16	27,7	32,1	52,3	32,7	38,90	52,8	32,7	39,1
32	32	1 7/8 - 16UN	56,4	20	29,2	31,4	58,4	35,6	42,00	58,9	35,6	48,4
36	36	2 1/16 - 16UNS	62,7	22	30,5	32,3	64,5	39,5	44,70	65,0	39,5	51,4
40	40	2 5/16 - 16UNS	69,1	28	32,0	35,2	73,2	44,2	49,10	73,7	44,2	57,7

TABLE 2

ENTRY SIZE	ØZ MIN	ØS	ØY ±0,3	ØK MAX	F ±0,5	G ±0,5	H ±0,5	M ±0,5	J ±0,5	THESE DIMENSIONS APPLY IF BACKSHELL IS STAINLESS STEEL OR NICKEL ALUMINIUM BRONZE		
										H ±0,5	M ±0,5	J ±0,5
04	6,35	9,49 +/-0,04	14,00	NA	NA	NA	NA	NA	NA	NA	NA	NA
05	7,92	11,06 +/-0,04	15,50	NA	NA	NA	NA	NA	NA	NA	NA	NA
06	9,53	12,66 +/-0,04	17,10	21,0	12,5	27,5	24,0	15,5	27,95	24,3	17,2	28,2
07	11,10	14,21 +/-0,07	18,70	21,0	12,5	27,5	24,0	15,5	27,95	24,3	17,2	28,2
08	12,70	15,81 +/-0,07	20,30	24,5	13,1	28,0	27,0	17,0	29,45	28,3	19,4	29,7
10	15,88	18,96 +/-0,08	23,50	29,0	13,5	29,0	31,0	19,5	31,00	31,1	21,0	31,2
12	19,05	22,14 +/-0,08	26,70	32,5	14,5	29,7	34,0	21,0	32,70	34,2	22,8	32,9
14	22,23	25,30 +/-0,08	29,80	35,5	15,5	30,5	35,0	20,0	34,25	38,5	25,3	34,5
16	25,40	28,48 +/-0,08	33,00	37,0	16,1	30,9	38,0	21,5	35,80	40,7	26,1	36,1
18	28,58	31,65 +/-0,08	36,20	40,0	16,5	31,1	42,0	24,0	37,40	43,7	27,6	37,6
20	31,75	34,83 +/-0,08	39,40	43,5	17,0	32,1	45,0	25,5	38,90	46,4	29,1	39,1
22	34,93	37,98 +/-0,08	42,50	48,5	18,5	35,3	54,5	31,0	42,00	50,0	31,0	42,0
24	38,10	41,15 +/-0,08	45,70	52,1	21,9	38,1	58,0	33,0	46,00	53,5	33,0	46,0
28	44,45	47,50 +/-0,08	52,00	58,5	26,9	44,4	65,5	36,5	51,1	60,3	36,5	51,1

If this document is printed it becomes uncontrolled. Check for the latest revision

DRAWN	K.WINCZURA	DATE	16/12/2014	 3RD ANGLE PROJECTION NOT TO SCALE	<b>TITLE:</b>  TINEL-LOCK BACKSHELL	 Polanco		
CHECKED		16/12/2014						
APPROVED	K.SHEPPARD	19/12/2014	UNLESS OTHERWISE SPECIFIED ALL DIMENSIONS IN MILLIMETRES GENERAL TOL LINEAR +/-0,25MM ANGULAR +/- 1°					
APPROVED	H.SMITH	17/07/2015						
<b>REVISIONS</b>					<b>ASSY USED ON:</b>  VEAM "CIR" SERIES, LESS ENDBELL	 TE connectivity		
LTR	DESCRIPTION	DATE	APPROVED					
F	REVISED PER ECO-15-002352	18/02/2015	H.SMITH					
G	REVISED PER ECO-15-010492	17/07/2015	H.SMITH					
TE CAGE CODE: 06090 POLAMCO/TE CAGE CODE: U5792					TE CONNECTIVITY - POLAMCO LTD RESERVES THE RIGHT TO AMEND THIS DRAWING AND THE INFORMATION SET FORTH HEREON AT ANY TIME. USERS SHOULD INDEPENDENTLY EVALUATE THE SUITABILITY OF THE PRODUCT FOR THEIR APPLICATION.	DRAWING NO: <b>TXR64</b>	DRAWING REV: <b>G</b>	SHT <b>3</b>